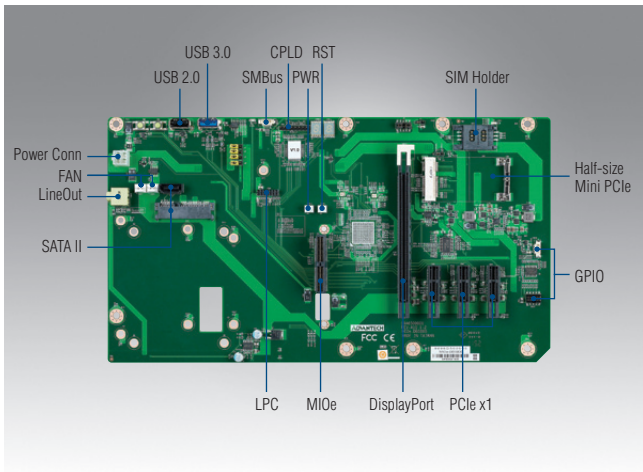


MIOe-DB5000

MIOe Evaluation Board for
MI/O-Compact and MI/O-Ultra SBC



CE FCC

Features

- Supports both of MI/O-Compact SBC and MI/O-Ultra SBC
- Compatible with MIOe, evaluation board for flexible interface verification
- Interface: 1 x DP, 3 x PCIe, 1 x miniPCIe, 1 x SIM holder, 1 x USB 3.0, 1 x USB 2.0, 1 x LPC, 1 x SMBus, 1 x LineOut with amplifier, 1 x SATA with power, 2 x System FAN, +12V Power in

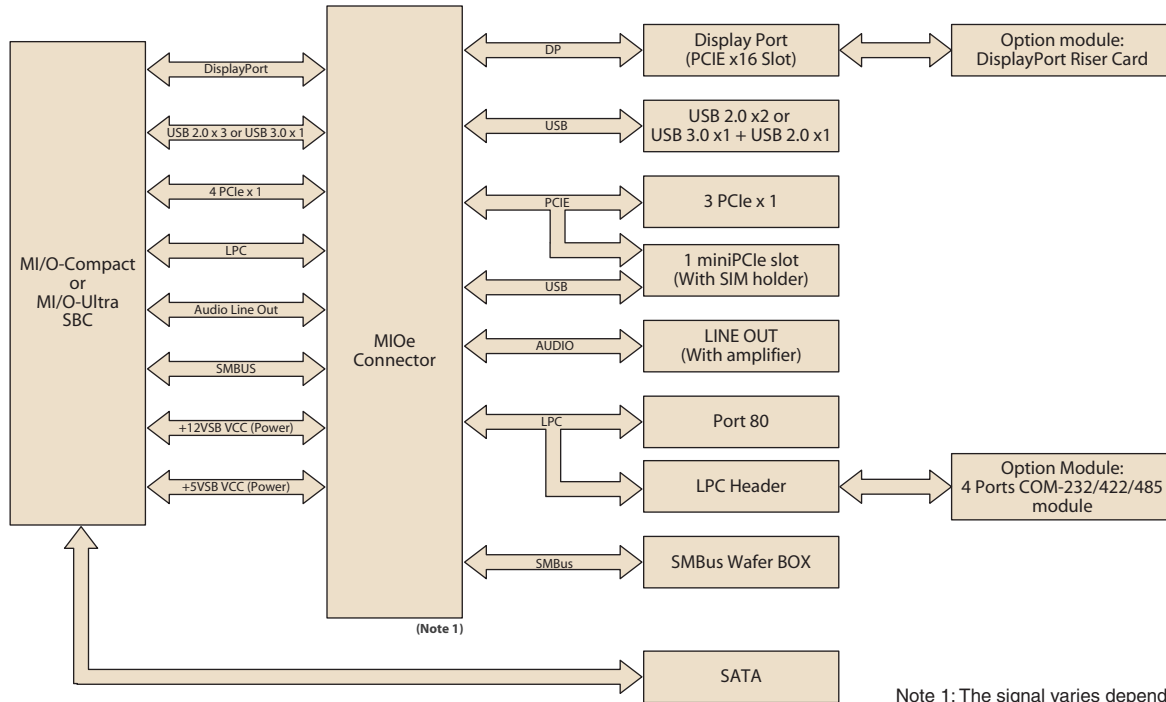
Specifications

Form Factor		ATX
Compatible Models		Advantech MI/O-Compact (146 x 102 mm), MI/O-Ultra (100 x 72 mm)
Expansion	DisplayPort	1 (only can evaluate with the 1st port of DisplayPort Riser Card)
	PCIe x1 slot	3 (MIOe-DB5000-01A1E has only two ports)
	MIOe connector	1
	SIM card Holder	1
	Full-size Mini PCIe	1
I/O	SATA with Power	1 (connect to 2.5 HDD)
	LPC	1 (evaluate by using 4 ports RS-232/422/485 Module)
	USB 2.0	1
	USB 3.0	1*
	LineOut	1 (with amplifier AMP LM4863)
	System FAN	2
Power	SMBus	1
	Independent Power voltage	Single +12V DC in (2x2 power connector is only for external power input)
Environment	Operating Temperature	0 ~ 60° C (32 ~ 140° F)
	Operating Humidity	0% ~ 90% relative humidity, non-condensing
Mechanical	Dimensions	304.8 x 170 mm (12" x 6.69")

* For USB 3.0 to work depends on if MI/O SBC supports USB 3.0 or not

PS: Pinout functions depend on SBC platform chipset

Block Diagram



Note 1: The signal varies depending on MI/O-Compact or MI/O-Ultra SBC

Ordering Information

Part No.	DisplayPort	PCIe x1	MIOe	Full-size Mini PCIe	SIM holder	SATA II	LPC	SMBus	USB 2.0	USB 3.0	Audio	System Fan	Power Conn
MIOe-DB5000-00A1E	1*	3	1	1	1	1	1	1	1	1***	1	1	2x2
MIOe-DB5000-01A1E	1*	2**	1	1**	1	1	1	1	1	1***	1	1	2x2

* The DisplayPort Riser Card has both HDMI and DisplayPort. Each can be supported individually by signal setting on the MI/O main board.

** MIOe-DB5000-01A1E has 2 PCIe x1 and 1 Mini PCIe.

*** For USB 3.0 to work depends on if the MI/O mainboard supports USB 3.0 or not. If the bundled MI/O main board doesn't support USB 3.0 explicitly, the USB connector supports USB 2.0 only.

Packing List

Part No.	Description	Quantity
-	MIOe-DB5000 development board	1
1700020235-01	Reset/Power button cable	2

Optional Accessories

Part No.	Description
9696EA2000E	DisplayPort Riser Card
PCA-COM232-00A1E	4 ports RS-232 Module*
PCA-COM485-00A1E	4 ports RS-422/485 Module*

* Supported by request

Mouser Electronics

Authorized Distributor

Click to View Pricing, Inventory, Delivery & Lifecycle Information:

[Advantech:](#)

[MIOE-DB5000-00A1E](#)