

# S25FL032P

32-Mbit CMOS 3.0 Volt Flash Memory  
with 104-MHz SPI (Serial Peripheral Interface) Multi I/O Bus

*Data Sheet*

---



**Notice to Readers:** This document states the current technical specifications regarding the Spansion product(s) described herein. Each product described herein may be designated as Advance Information, Preliminary, or Full Production. See [Notice On Data Sheet Designations](#) for definitions.

## Notice On Data Sheet Designations

SpanSion Inc. issues data sheets with Advance Information or Preliminary designations to advise readers of product information or intended specifications throughout the product life cycle, including development, qualification, initial production, and full production. In all cases, however, readers are encouraged to verify that they have the latest information before finalizing their design. The following descriptions of SpanSion data sheet designations are presented here to highlight their presence and definitions.

### Advance Information

The Advance Information designation indicates that SpanSion Inc. is developing one or more specific products, but has not committed any design to production. Information presented in a document with this designation is likely to change, and in some cases, development on the product may discontinue. SpanSion Inc. therefore places the following conditions upon Advance Information content:

“This document contains information on one or more products under development at SpanSion Inc. The information is intended to help you evaluate this product. Do not design in this product without contacting the factory. SpanSion Inc. reserves the right to change or discontinue work on this proposed product without notice.”

### Preliminary

The Preliminary designation indicates that the product development has progressed such that a commitment to production has taken place. This designation covers several aspects of the product life cycle, including product qualification, initial production, and the subsequent phases in the manufacturing process that occur before full production is achieved. Changes to the technical specifications presented in a Preliminary document should be expected while keeping these aspects of production under consideration. SpanSion places the following conditions upon Preliminary content:

“This document states the current technical specifications regarding the SpanSion product(s) described herein. The Preliminary status of this document indicates that product qualification has been completed, and that initial production has begun. Due to the phases of the manufacturing process that require maintaining efficiency and quality, this document may be revised by subsequent versions or modifications due to changes in technical specifications.”

### Combination

Some data sheets contain a combination of products with different designations (Advance Information, Preliminary, or Full Production). This type of document distinguishes these products and their designations wherever necessary, typically on the first page, the ordering information page, and pages with the DC Characteristics table and the AC Erase and Program table (in the table notes). The disclaimer on the first page refers the reader to the notice on this page.

### Full Production (No Designation on Document)

When a product has been in production for a period of time such that no changes or only nominal changes are expected, the Preliminary designation is removed from the data sheet. Nominal changes may include those affecting the number of ordering part numbers available, such as the addition or deletion of a speed option, temperature range, package type, or  $V_{IO}$  range. Changes may also include those needed to clarify a description or to correct a typographical error or incorrect specification. SpanSion Inc. applies the following conditions to documents in this category:

“This document states the current technical specifications regarding the SpanSion product(s) described herein. SpanSion Inc. deems the products to have been in sufficient production volume such that subsequent versions of this document are not expected to change. However, typographical or specification corrections, or modifications to the valid combinations offered may occur.”

Questions regarding these document designations may be directed to your local sales office.

# S25FL032P

32-Mbit CMOS 3.0 Volt Flash Memory  
with 104-MHz SPI (Serial Peripheral Interface) Multi I/O Bus



Data Sheet

---

## Distinctive Characteristics

### Architectural Advantages

- **Single power supply operation**
  - Full voltage range: 2.7 to 3.6V read and write operations
- **Memory architecture**
  - Uniform 64 KB sectors
    - Top or bottom parameter block (Two 64-KB sectors (top or bottom) broken down into sixteen 4-KB sub-sectors each)
  - 256-byte page size
  - Backward compatible with the S25FL032A device
- **Program**
  - Page Program (up to 256 bytes) in 1.5 ms (typical)
  - Program operations are on a page by page basis
  - Accelerated programming mode via 9V W#/ACC pin
  - Quad Page Programming
- **Erase**
  - Bulk erase function
  - Sector erase (SE) command (D8h) for 64 KB sectors
  - Sub-sector erase (P4E) command (20h) for 4 KB sectors
  - Sub-sector erase (P8E) command (40h) for 8 KB sectors
- **Cycling endurance**
  - 100,000 cycles per sector typical
- **Data retention**
  - 20 years typical
- **Device ID**
  - JEDEC standard two-byte electronic signature
  - RES command one-byte electronic signature for backward compatibility
- **One time programmable (OTP) area for permanent, secure identification; can be programmed and locked at the factory or by the customer**

- **CFI (Common Flash Interface) compliant: allows host system to identify and accommodate multiple flash devices**

- **Process technology**

- Manufactured on 0.09 µm MirrorBit® process technology

- **Package option**

- Industry Standard Pinouts
- 8-pin SO package (208 mils)
- 16-pin SO package (300 mils)
- 8-contact USON package (5 x 6 mm)
- 8-contact WSON package (6 x 8 mm)
- 24-ball BGA 6 x 8 mm package, 5 x 5 pin configuration
- 24-ball BGA 6 x 8 mm package, 6 x 4 pin configuration

### Performance Characteristics

- **Speed**

- Normal READ (Serial): 40 MHz clock rate
- FAST\_READ (Serial): 104 MHz clock rate (maximum)
- DUAL I/O FAST\_READ: 80 MHz clock rate or 20 MB/s effective data rate
- QUAD I/O FAST\_READ: 80 MHz clock rate or 40 MB/s effective data rate

- **Power saving standby mode**

- Standby Mode 80 µA (typical)
- Deep Power-Down Mode 3 µA (typical)

### Memory Protection Features

- **Memory protection**

- W#/ACC pin works in conjunction with Status Register Bits to protect specified memory areas
- Status Register Block Protection bits (BP2, BP1, BP0) in status

## General Description

The S25FL032P is a 3.0 Volt (2.7V to 3.6V), single-power-supply Flash memory device. The device consists of 64 uniform 64 KB sectors with the two (Top or Bottom) 64 KB sectors further split up into thirty-two 4KB sub sectors. The S25FL032P device is fully backward compatible with the S25FL032A device.

The device accepts data written to SI (Serial Input) and outputs data on SO (Serial Output). The devices are designed to be programmed in-system with the standard system 3.0-volt  $V_{CC}$  supply.

The S25FL032P device adds the following high-performance features using 5 new instructions:

- Dual Output Read using both SI and SO pins as output pins at a clock rate of up to 80 MHz
- Quad Output Read using SI, SO, W#/ACC and HOLD# pins as output pins at a clock rate of up to 80 MHz
- Dual I/O High Performance Read using both SI and SO pins as input and output pins at a clock rate of up to 80 MHz
- Quad I/O High Performance Read using SI, SO, W#/ACC and HOLD# pins as input and output pins at a clock rate of up to 80 MHz
- Quad Page Programming using SI, SO, W#/ACC and HOLD# pins as input pins to program data at a clock rate of up to 80 MHz

The memory can be programmed 1 to 256 bytes at a time, using the Page Program command. The device supports Sector Erase and Bulk Erase commands.

Each device requires only a 3.0-volt power supply (2.7V to 3.6V) for both read and write functions. Internally generated and regulated voltages are provided for the program operations. This device requires a high voltage supply to the W#/ACC pin to enable the Accelerated Programming mode.

The S25FL032P device also offers a One-Time Programmable area (OTP) of up to 128-bits (16 bytes) for permanent secure identification and an additional 490 bytes of OTP space for other use. This OTP area can be programmed or read using the OTPP or OTPR instructions.

## Table of Contents

<b>Distinctive Characteristics</b> .....	3
<b>General Description</b> .....	4
<b>1. Block Diagram</b> .....	9
<b>2. Connection Diagrams</b> .....	9
<b>3. Input/Output Descriptions</b> .....	11
<b>4. Logic Symbol</b> .....	12
<b>5. Ordering Information</b> .....	13
5.1 Valid Combinations .....	13
<b>6. Spansion SPI Modes</b> .....	14
<b>7. Device Operations</b> .....	15
7.1 Byte or Page Programming .....	15
7.2 Quad Page Programming .....	15
7.3 Dual and Quad I/O Mode .....	15
7.4 Sector Erase / Bulk Erase .....	15
7.5 Monitoring Write Operations Using the Status Register .....	15
7.6 Active Power and Standby Power Modes .....	15
7.7 Status Register .....	16
7.8 Configuration Register .....	16
7.9 Data Protection Modes .....	17
7.10 Hold Mode (HOLD#) .....	18
7.11 Accelerated Programming Operation .....	19
<b>8. Sector Address Table</b> .....	20
<b>9. Command Definitions</b> .....	22
9.1 Read Data Bytes (READ) .....	24
9.2 Read Data Bytes at Higher Speed (FAST_READ) .....	25
9.3 Dual Output Read Mode (DOR) .....	26
9.4 Quad Output Read Mode (QOR) .....	27
9.5 DUAL I/O High Performance Read Mode (DIOR) .....	28
9.6 Quad I/O High Performance Read Mode (QIOR) .....	30
9.7 Read Identification (RDID) .....	31
9.8 Read-ID (READ_ID) .....	35
9.9 Write Enable (WREN) .....	36
9.10 Write Disable (WRDI) .....	36
9.11 Read Status Register (RDSR) .....	37
9.12 Read Configuration Register (RCR) .....	38
9.13 Write Registers (WRR) .....	39
9.14 Page Program (PP) .....	41
9.15 QUAD Page Program (QPP) .....	42
9.16 Parameter Sector Erase (P4E, P8E) .....	43
9.17 Sector Erase (SE) .....	44
9.18 Bulk Erase (BE) .....	45
9.19 Deep Power-Down (DP) .....	46
9.20 Release from Deep Power-Down (RES) .....	47
9.21 Clear Status Register (CLSR) .....	48
9.22 OTP Program (OTPP) .....	49
9.23 Read OTP Data Bytes (OTPR) .....	49
<b>10. OTP Regions</b> .....	50
10.1 Programming OTP Address Space .....	50
10.2 Reading OTP Data .....	50
10.3 Locking OTP Regions .....	50
<b>11. Power-up and Power-down</b> .....	53
<b>12. Initial Delivery State</b> .....	54

<b>13. Program Acceleration via W#/ACC Pin</b> .....	54
<b>14. Electrical Specifications</b> .....	55
14.1 Absolute Maximum Ratings .....	55
<b>15. Operating Ranges</b> .....	55
<b>16. DC Characteristics</b> .....	56
<b>17. Test Conditions</b> .....	57
<b>18. AC Characteristics</b> .....	57
18.1 Capacitance .....	58
<b>19. Physical Dimensions</b> .....	61
19.1 SOC008 wide — 8-pin Plastic Small Outline Package (208-mils Body Width) .....	61
19.2 SO3 016 — 16-pin Wide Plastic Small Outline Package (300-mil Body Width) .....	62
19.3 UNE008 — USON 8-contact (5 x 6 mm) No-Lead Package .....	63
19.4 WNF008 — WSON 8-contact (6 x 8 mm) No-Lead Package .....	64
19.5 FAB024 — 24-ball Ball Grid Array (6 x 8 mm) Package .....	65
19.6 FAC024 — 24-ball Ball Grid Array (6 x 8 mm) Package .....	66
<b>20. Revision History</b> .....	67

## Figures

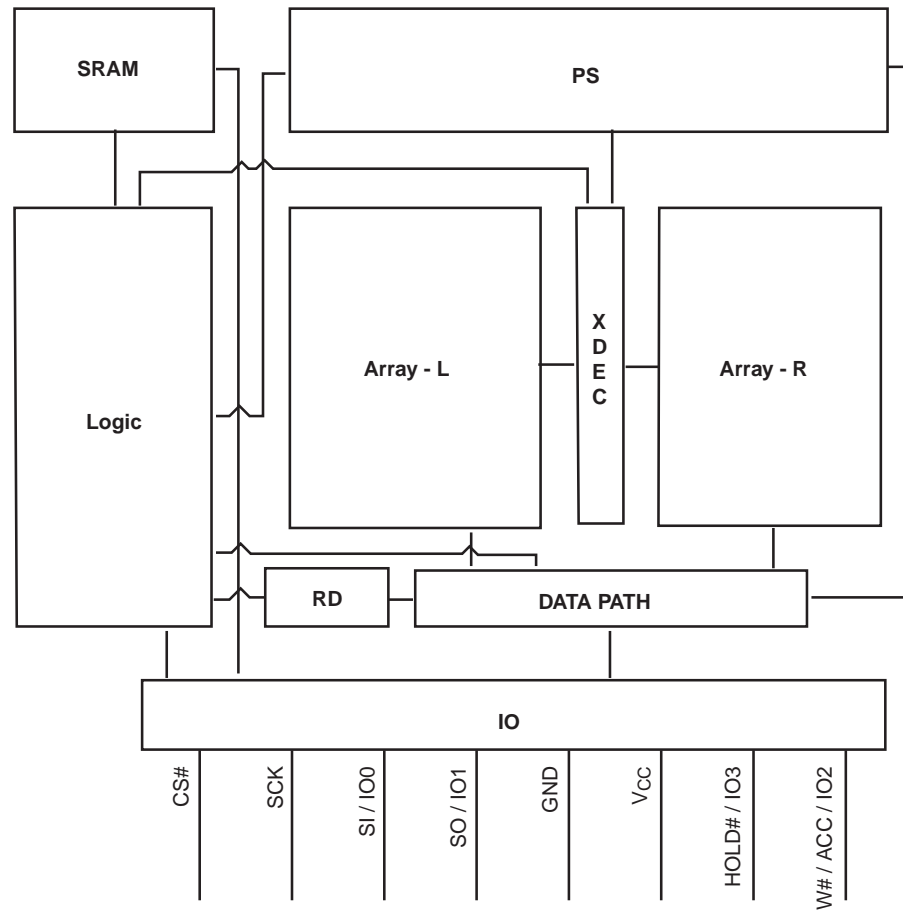
Figure 2.1	16-pin Plastic Small Outline Package (SO) . . . . .	9
Figure 2.2	8-pin Plastic Small Outline Package (SO) . . . . .	10
Figure 2.3	8-contact USON (5 x 6 mm) Package . . . . .	10
Figure 2.4	8-contact WSON Package (6 x 8 mm) . . . . .	10
Figure 2.5	6x8 mm 24-ball BGA Package, 5x5 pin Configuration . . . . .	10
Figure 2.6	6x8 mm 24-ball BGA Package, 6x4 pin Configuration . . . . .	11
Figure 6.1	Bus Master and Memory Devices on the SPI Bus . . . . .	14
Figure 6.2	SPI Modes Supported . . . . .	14
Figure 7.1	Hold Mode Operation . . . . .	19
Figure 9.1	Read Data Bytes (READ) Command Sequence . . . . .	24
Figure 9.2	Read Data Bytes at Higher Speed (FAST_READ) Command Sequence . . . . .	25
Figure 9.3	Dual Output Read Instruction Sequence . . . . .	26
Figure 9.4	Quad Output Read Instruction Sequence . . . . .	27
Figure 9.5	DUAL I/O High Performance Read Instruction Sequence . . . . .	28
Figure 9.6	Continuous Dual I/O High Performance Read Instruction Sequence . . . . .	29
Figure 9.7	QUAD I/O High Performance Instruction Sequence . . . . .	30
Figure 9.8	Continuous QUAD I/O High Performance Instruction Sequence . . . . .	31
Figure 9.9	Read Identification (RDID) Command Sequence and Data-Out Sequence . . . . .	32
Figure 9.10	Read-ID (RDID) Command Timing Diagram . . . . .	35
Figure 9.11	Write Enable (WREN) Command Sequence . . . . .	36
Figure 9.12	Write Disable (WRDI) Command Sequence . . . . .	36
Figure 9.13	Read Status Register (RDSR) Command Sequence . . . . .	37
Figure 9.14	Read Configuration Register (RCR) Instruction Sequence . . . . .	38
Figure 9.15	Write Registers (WRR) Instruction Sequence – 8 data bits . . . . .	39
Figure 9.16	Write Registers (WRR) Instruction Sequence – 16 data bits . . . . .	40
Figure 9.17	Page Program (PP) Command Sequence . . . . .	41
Figure 9.18	QUAD Page Program Instruction Sequence . . . . .	42
Figure 9.19	Parameter Sector Erase (P4E, P8E) Instruction Sequence . . . . .	43
Figure 9.20	Sector Erase (SE) Command Sequence . . . . .	44
Figure 9.21	Bulk Erase (BE) Command Sequence . . . . .	45
Figure 9.22	Deep Power-Down (DP) Command Sequence . . . . .	46
Figure 9.23	Release from Deep Power-Down (RES) Command Sequence . . . . .	47
Figure 9.24	Release from Deep Power-Down and RES Command Sequence . . . . .	48
Figure 9.25	Clear Status Register (CLSR) Instruction Sequence . . . . .	48
Figure 9.26	OTP Program Instruction Sequence . . . . .	49
Figure 9.27	Read OTP Instruction Sequence . . . . .	49
Figure 10.1	OTP Memory Map - Part 1 . . . . .	51
Figure 10.2	OTP Memory Map - Part 2 . . . . .	52
Figure 11.1	Power-Up Timing Diagram . . . . .	53
Figure 11.2	Power-down and Voltage Drop . . . . .	53
Figure 13.1	ACC Program Acceleration Timing Requirements . . . . .	54
Figure 14.1	Maximum Negative Overshoot Waveform . . . . .	55
Figure 14.2	Maximum Positive Overshoot Waveform . . . . .	55
Figure 17.1	AC Measurements I/O Waveform . . . . .	57
Figure 18.1	AC Characteristics . . . . .	57
Figure 18.2	SPI Mode 0 (0,0) Input Timing . . . . .	59
Figure 18.3	SPI Mode 0 (0,0) Output Timing . . . . .	59
Figure 18.4	HOLD# Timing . . . . .	59
Figure 18.5	Write Protect Setup and Hold Timing during WRR when SRWD = 1 . . . . .	60

## Tables

Table 5.1	S25FL032P Valid Combinations	13
Table 7.1	Suggested Cross Settings	16
Table 7.2	Configuration Register Table	17
Table 7.3	TBPROT = 0 (Starts Protection from TOP of Array)	18
Table 7.4	TBPROT=1 (Starts Protection from BOTTOM of Array)	18
Table 8.1	S25FL032P Sector Address Table TBPARAM=0	20
Table 8.2	S25FL032P Sector Address Table TBPARAM=1	21
Table 9.1	Instruction Set	23
Table 9.2	Manufacturer & Device ID - RDID (JEDEC 9Fh):	32
Table 9.3	Product Group CFI Query Identification String	32
Table 9.4	Product Group CFI System Interface String	32
Table 9.5	Product Group CFI Device Geometry Definition	33
Table 9.6	Product Group CFI Primary Vendor-Specific Extended Query	34
Table 9.7	READ_ID Data-Out Sequence	35
Table 9.8	S25FL032P Status Register	37
Table 9.9	Protection Modes	40
Table 10.1	ESN1 and ESN2	50
Table 11.1	Power-Up / Power-Down Voltage and Timing	54
Table 13.1	ACC Program Acceleration Specifications	54
Table 15.1	Operating Ranges	55
Table 16.1	DC Characteristics (CMOS Compatible)	56
Table 17.1	Test Specifications	57

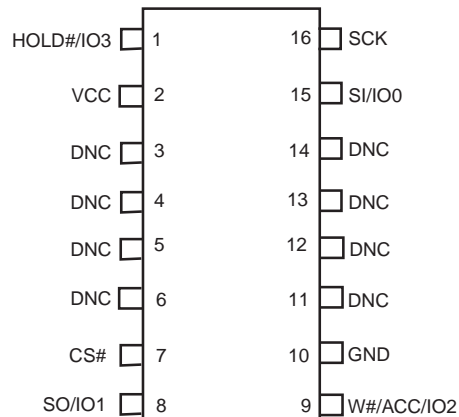


## 1. Block Diagram



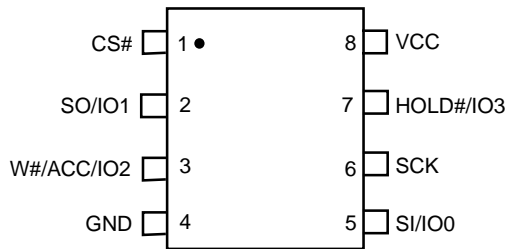
## 2. Connection Diagrams

Figure 2.1 16-pin Plastic Small Outline Package (SO)

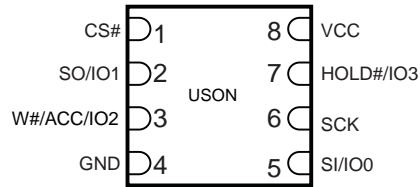


**Note**  
DNC = Do Not Connect (Reserved for future use)

**Figure 2.2** 8-pin Plastic Small Outline Package (SO)



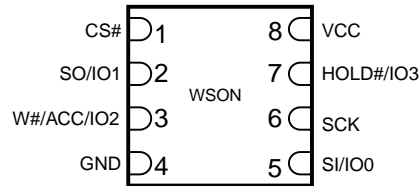
**Figure 2.3** 8-contact USON (5 x 6 mm) Package



**Note**

There is an exposed central pad on the underside of the USON package. This should not be connected to any voltage or signal line on the PCB. Connecting the central pad to GND ( $V_{SS}$ ) is possible, provided PCB routing ensures 0mV difference between voltage at the USON GND ( $V_{SS}$ ) lead and the central exposed pad.

**Figure 2.4** 8-contact WSON Package (6 x 8 mm)



**Note**

There is an exposed central pad on the underside of the WSON package. This should not be connected to any voltage or signal line on the PCB. Connecting the central pad to GND ( $V_{SS}$ ) is possible, provided PCB routing ensures 0mV difference between voltage at the WSON GND ( $V_{SS}$ ) lead and the central exposed pad.

**Figure 2.5** 6x8 mm 24-ball BGA Package, 5x5 pin Configuration

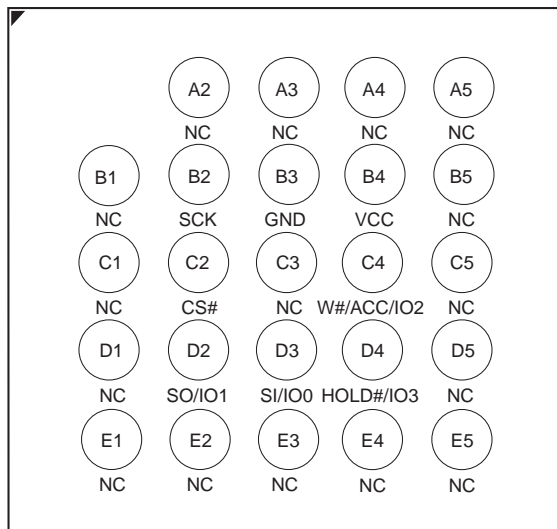
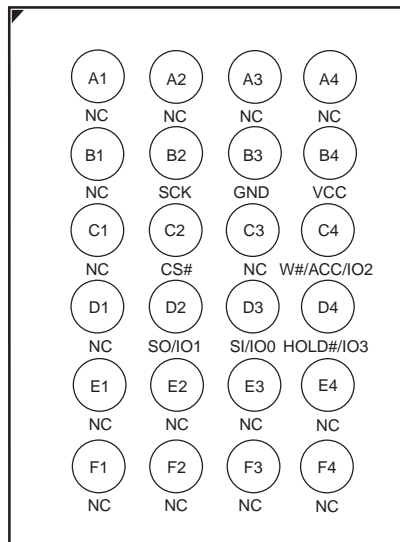


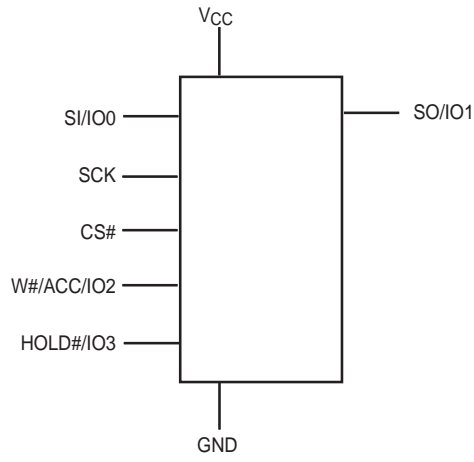
Figure 2.6 6x8 mm 24-ball BGA Package, 6x4 pin Configuration



### 3. Input/Output Descriptions

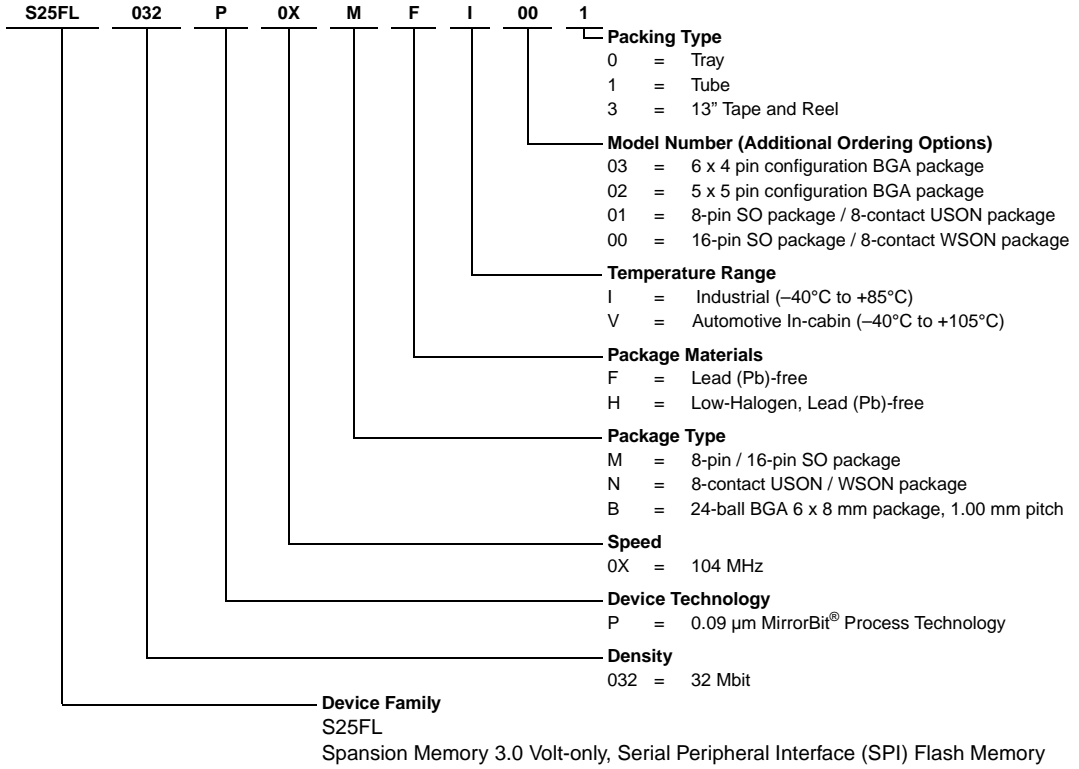
Signal	I/O	Description
SO/IO1	I/O	<b>Serial Data Output:</b> Transfers data serially out of the device on the falling edge of SCK. Functions as an input pin in Dual and Quad I/O, and Quad Page Program modes.
SI/IO0	I/O	<b>Serial Data Input:</b> Transfers data serially into the device. Device latches commands, addresses, and program data on SI on the rising edge of SCK. Functions as an output pin in Dual and Quad I/O mode.
SCK	Input	<b>Serial Clock:</b> Provides serial interface timing. Latches commands, addresses, and data on SI on rising edge of SCK. Triggers output on SO after the falling edge of SCK.
CS#	Input	<b>Chip Select:</b> Places device in active power mode when driven low. Deselects device and places SO at high impedance when high. After power-up, device requires a falling edge on CS# before any command is written. Device is in standby mode when a program, erase, or Write Status Register operation is not in progress.
HOLD#/IO3	I/O	<b>Hold:</b> Pauses any serial communication with the device without deselecting it. When driven low, SO is at high impedance, and all input at SI and SCK are ignored. Requires that CS# also be driven low. Functions as an output pin in Quad I/O mode.
W#/ACC/IO2	I/O	<b>Write Protect:</b> Protects the memory area specified by Status Register bits BP2:BP0. When driven low, prevents any program or erase command from altering the data in the protected memory area. Functions as an output pin in Quad I/O mode.
V <sub>CC</sub>	Input	<b>Supply Voltage</b>
GND	Input	<b>Ground</b>

## 4. Logic Symbol



## 5. Ordering Information

The ordering part number is formed by a valid combination of the following:



### 5.1 Valid Combinations

Table 5.1 lists the valid combinations configurations planned to be supported in volume for this device.

**Table 5.1** S25FL032P Valid Combinations

S25FL032P Valid Combinations					Package Marking
Base Ordering Part Number	Speed Option	Package & Temperature	Model Number	Packing Type	
S25FL032P	0X	MFI, NFI	00, 01	0, 1, 3	FL032P + (Temp) + F
		MFV, NFV			
		BHI	02, 03	0, 3	
		BHV			

## 6. Spansion SPI Modes

A microcontroller can use either of its two SPI modes to control Spansion SPI Flash memory devices:

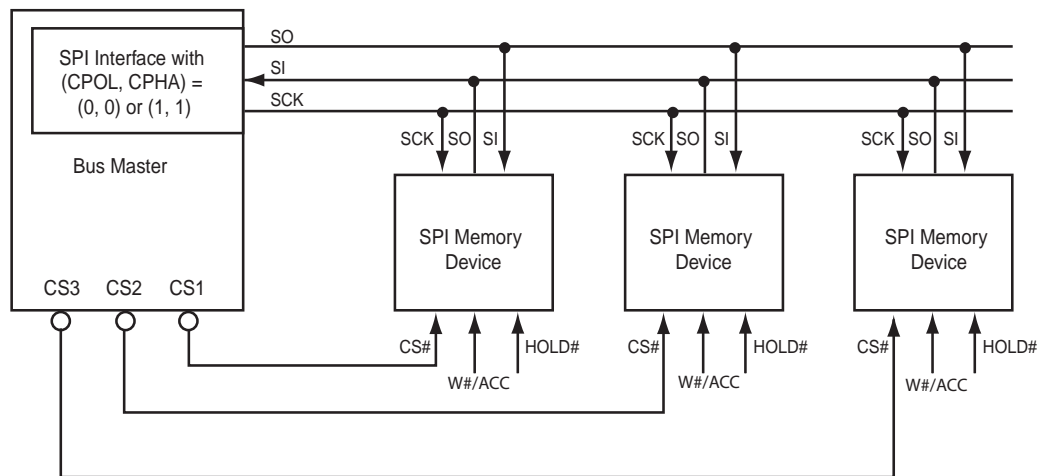
- CPOL = 0, CPHA = 0 (Mode 0)
- CPOL = 1, CPHA = 1 (Mode 3)

Input data is latched in on the rising edge of SCK, and output data is available from the falling edge of SCK for both modes.

When the bus master is in standby mode, SCK is as shown in [Figure 6.2](#) for each of the two modes:

- SCK remains at 0 for (CPOL = 0, CPHA = 0 Mode 0)
- SCK remains at 1 for (CPOL = 1, CPHA = 1 Mode 3)

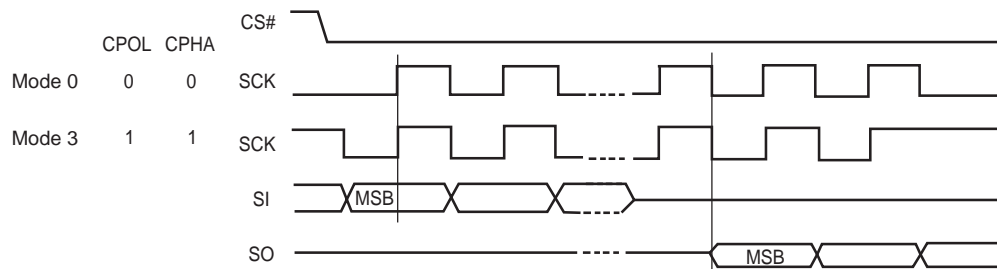
**Figure 6.1** Bus Master and Memory Devices on the SPI Bus



**Note**

The Write Protect/Accelerated Programming (W#/ACC) and Hold (HOLD#) signals should be driven high (logic level 1) or low (logic level 0) as appropriate.

**Figure 6.2** SPI Modes Supported



## 7. Device Operations

All Spansion SPI devices accept and output data in bytes (8 bits at a time). The SPI device is a slave device that supports an inactive clock while CS# is held low.

### 7.1 Byte or Page Programming

Programming data requires two commands: Write Enable (WREN), which is one byte, and a Page Program (PP) sequence, which consists of four bytes plus data. The Page Program sequence accepts from 1 byte up to 256 consecutive bytes of data (which is the size of one page) to be programmed in one operation. Programming means that bits can either be left at 0, or programmed from 1 to 0. Changing bits from 0 to 1 requires an erase operation.

### 7.2 Quad Page Programming

The Quad Page Program (QPP) instruction allows up to 256 bytes of data to be programmed using 4 pins as inputs at the same time, thus effectively quadrupling the data transfer rate, compared to the Page Program (PP) instruction. The Write Enable Latch (WEL) bit must be set to a 1 using the Write Enable (WREN) command prior to issuing the QPP command.

### 7.3 Dual and Quad I/O Mode

The S25FL032P device supports Dual and Quad I/O operation when using the Dual/Quad Output Read Mode and the Dual/Quad I/O High Performance Mode instructions. Using the Dual or Quad I/O instructions allows data to be transferred to or from the device at two to four times the rate of standard SPI devices. When operating in the Dual or Quad I/O High Performance Mode (BBh or EBh instructions), data can be read at fast speed using two or four data bits at a time, and the 3-byte address can be input two or four address bits at a time.

### 7.4 Sector Erase / Bulk Erase

The Sector Erase (SE) and Bulk Erase (BE) commands set all the bits in a sector or the entire memory array to 1. While bits can be individually programmed from 1 to 0, erasing bits from 0 to 1 must be done on a sector-wide (SE) or array-wide (BE) level. In addition to the 64-KB Sector Erase (SE), the S25FL032P device also offers 4-KB Parameter Sector Erase (P4E) and 8-KB Parameter Sector Erase (P8E).

### 7.5 Monitoring Write Operations Using the Status Register

The host system can determine when a Write Register, program, or erase operation is complete by monitoring the Write in Progress (WIP) bit in the Status Register. The Read from Status Register command provides the state of the WIP bit. In addition, the S25FL032P device offers two additional bits in the Status Register (P\_ERR, E\_ERR) to indicate whether a Program or Erase operation was a success or failure.

### 7.6 Active Power and Standby Power Modes

The device is enabled and in the Active Power mode when Chip Select (CS#) is Low. When CS# is high, the device is disabled, but may still be in the Active Power mode until all program, erase, and Write Registers operations have completed. The device then goes into the Standby Power mode, and power consumption drops to  $I_{SB}$ . The Deep Power-Down (DP) command provides additional data protection against inadvertent signals. After writing the DP command, the device ignores any further program or erase commands, and reduces its power consumption to  $I_{DP}$ .

## 7.7 Status Register

The Status Register contains the status and control bits that can be read or set by specific commands (see [Table 9.1 on page 23](#)). These bits configure different protection configurations and supply information of operation of the device. (for details see [Table 9.8, S25FL032P Status Register on page 37](#)):

- **Write In Progress (WIP):** Indicates whether the device is performing a Write Registers, program or erase operation.
- **Write Enable Latch (WEL):** Indicates the status of the internal Write Enable Latch.
- **Block Protect (BP2, BP1, BP0):** Non-volatile bits that define memory area to be software-protected against program and erase commands.
- **Erase Error (E\_ERR):** The Erase Error Bit is used as an Erase operation success and failure check.
- **Program Error (P\_ERR):** The Program Error Bit is used as an program operation success and failure check.
- **Status Register Write Disable (SRWD):** Places the device in the Hardware Protected mode when this bit is set to 1 and the W#/ACC input is driven low. In this mode, the non-volatile bits of the Status Register (SRWD, BP2, BP1, BP0) become read-only bits.

## 7.8 Configuration Register

The Configuration Register contains the control bits that can be read or set by specific commands. These bits configure different configurations and security features of the device.

- The FREEZE bit locks the BP2-0 bits in Status Register and the TBPROT and TBPARM bits in the Configuration Register. Note that once the FREEZE bit has been set to '1', then it cannot be cleared to '0' until a power-on-reset is executed. As long as the FREEZE bit is set to '0', then the other bits of the Configuration Register, including FREEZE bit, can be written to.
- The QUAD bit is non-volatile and sets the pin out of the device to Quad mode; that is, W#/ACC becomes IO2 and HOLD# becomes IO3. The instructions for Serial, Dual Output, and Dual I/O reads function as normal. The W#/ACC and HOLD# functionality does not work when the device is set in Quad mode.
- The TBPARM bit defines the logical location of the 4 KB parameter sectors. The parameter sectors consist of thirty two 4 KB sectors. All sectors other than the parameter sectors are defined to be 64-KB uniform in size. When TBPARM is set to a '1', the 4 KB parameter sectors starts at the top of the array. When TBPARM is set to a '0', the 4 KB parameter sectors starts at the bottom of the array. Note that once this bit is set to a '1', it cannot be changed back to '0'.
- The BPNV bit defines whether or not the BP2-0 bits in the Status Register are volatile or non-volatile. When BPNV is set to a '1', the BP2-0 bits in the Status Register are volatile and will be reset to binary 111 after power on reset. When BPNV is set to a '0', the BP2-0 bits in the Status Register are non-volatile. Note that once this bit is set to a '1', it cannot be changed back to '0'.
- The TBPROT bit defines the operation of the block protection bits BP2, BP1, and BP0 in the Status Register. When TBPROT is set to a '0', then the block protection is defined to start from the top of the array. When TBPROT is set to a '1', then the block protection is defined to start from the bottom of the array. Note that once this bit is set to a '1', it cannot be changed back to '0'.

**Note:** It is suggested that the Block Protection and Parameter sectors not be set to the same area of the array; otherwise, the user cannot utilize the Parameter sectors if they are protected. The following matrix shows the recommended settings.

**Table 7.1** Suggested Cross Settings

TBPARM	TBPROT	Array Overview
0	0	Parameter Sectors – Bottom BP Protection – Top (default)
0	1	Not recommended (Parameters & BP Protection are both Bottom)
1	0	Not recommended (parameters & BP Protection are both Top)
1	1	Parameter Sectors - Top of Array (high address) BP Protection - Bottom of Array (low address)



Table 7.2 Configuration Register Table

Bit	Bit Name	Bit Function	Description
7	NA	-	Not Used
6	NA	-	Not Used
5	TBPROT	Configures start of block protection	1 = Bottom Array (low address) 0 = Top Array (high address) (Default)
4	NA	-	Do not use
3	BPNV	Configures BP2-0 bits in the Status Register	1 = Volatile 0 = Non-volatile (Default)
2	TBPARM	Configures Parameter sector location	1 = Top Array (high address) 0 = Bottom Array (low address) (Default)
1	QUAD	Puts the device into Quad I/O mode	1 = Quad I/O 0 = Dual or Serial I/O (Default)
0	FREEZE	Locks BP2-0 bits in the Status Register	1 = Enabled 0 = Disabled (Default)

**Note**

(Default) indicates the value of each Configuration Register bit set upon initial factory shipment.

## 7.9 Data Protection Modes

Spansion SPI Flash memory devices provide the following data protection methods:

- **The Write Enable (WREN) command:** Must be written prior to any command that modifies data. The WREN command sets the Write Enable Latch (WEL) bit. The WEL bit resets (disables writes) on power-up or after the device completes the following commands:
  - Page Program (PP)
  - Sector Erase (SE)
  - Bulk Erase (BE)
  - Write Disable (WRDI)
  - Write Register (WRR)
  - Parameter 4 KB Sector Erase (P4E)
  - Parameter 8 KB Sector Erase (P8E)
  - Quad Page Programming (QPP)
  - OTP Byte Programming (OTPP)
- **Software Protected Mode (SPM):** The Block Protect (BP2, BP1, BP0) bits define the section of the memory array that can be read but not programmed or erased. [Table 7.3](#) and [Table 7.4](#) shows the sizes and address ranges of protected areas that are defined by Status Register bits BP2:BP0.
- **Hardware Protected Mode (HPM):** The Write Protect (W#/ACC) input and the Status Register Write Disable (SRWD) bit together provide write protection.
- **Clock Pulse Count:** The device verifies that all program, erase, and Write Register commands consist of a clock pulse count that is a multiple of eight before executing them.

**Table 7.3** TBPROT = 0 (Starts Protection from TOP of Array)

Status Register Block			Memory Array				Protected Portion of Total Memory Area
BP2	BP1	BP0	Protected Address Range	Protected Sectors	Unprotected Address Range	Unprotected Sectors	
0	0	0	None	0	000000h-3FFFFFFh	SA63:SA0	0
0	0	1	3F0000h-3FFFFFFh	(1) SA63	000000h-3FFFFFFh	SA62:SA0	1/64
0	1	0	3E0000h-3FFFFFFh	(2) SA63:SA62	000000h-3DFFFFFFh	SA61:SA0	1/32
0	1	1	3C0000h-3FFFFFFh	(4) SA63:SA60	000000h-3BFFFFFFh	SA59:SA0	1/16
1	0	0	380000h-3FFFFFFh	(8) SA63:SA56	000000h-37FFFFFFh	SA55:SA0	1/8
1	0	1	300000h-3FFFFFFh	(16) SA63:SA48	000000h-2FFFFFFh	SA47:SA0	1/4
1	1	0	200000h-3FFFFFFh	(32) SA63:SA32	000000h-1FFFFFFh	SA31:SA0	1/2
1	1	1	000000h-3FFFFFFh	(64) SA63:SA0	None	None	All

**Table 7.4** TBPROT=1 (Starts Protection from BOTTOM of Array)

Status Register Block			Memory Array				Protected Portion of Total Memory Area
BP2	BP1	BP0	Protected Address Range	Protected Sectors	Unprotected Address Range	Unprotected Sectors	
0	0	0	None	0	000000h-3FFFFFFh	SA0:SA63	0
0	0	1	000000h-00FFFFh	(1) SA0	010000h-3FFFFFFh	SA1:SA63	1/64
0	1	0	000000h-01FFFFh	(2) SA0:SA1	020000h-3FFFFFFh	SA2:SA63	1/32
0	1	1	000000h-03FFFFh	(4) SA0:SA3	040000h-3FFFFFFh	SA4:SA63	1/16
1	0	0	000000h-07FFFFh	(8) SA0:SA7	080000h-3FFFFFFh	SA8:SA63	1/8
1	0	1	000000h-0FFFFFFh	(16) SA0:SA15	100000h-3FFFFFFh	SA16:SA63	1/4
1	1	0	000000h-1FFFFFFh	(32) SA0:SA31	200000h-3FFFFFFh	SA32:SA63	1/2
1	1	1	000000h-3FFFFFFh	(64) SA0:SA63	None	None	ALL

## 7.10 Hold Mode (HOLD#)

The Hold input (HOLD#) stops any serial communication with the device, but does not terminate any Write Registers, program or erase operation that is currently in progress.

The Hold mode starts on the falling edge of HOLD# if SCK is also low (see [Figure 7.1](#), standard use). If the falling edge of HOLD# does not occur while SCK is low, the Hold mode begins after the next falling edge of SCK (non-standard use).

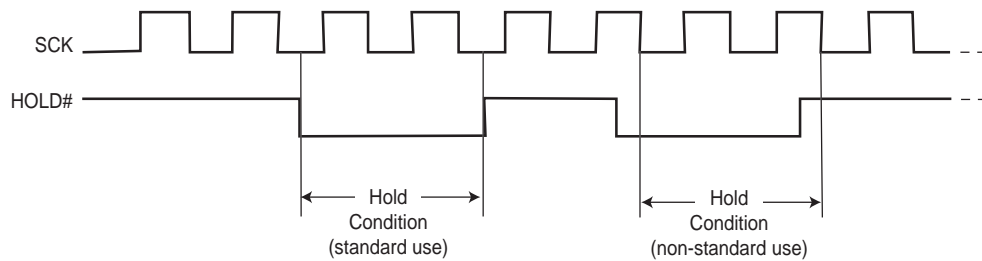
The Hold mode ends on the rising edge of HOLD# signal (standard use) if SCK is also low. If the rising edge of HOLD# does not occur while SCK is low, the Hold mode ends on the next falling edge of CLK (non-standard use) See [Figure 7.1](#).

The SO output is high impedance, and the SI and SCK inputs are ignored (don't care) for the duration of the Hold mode.

CS# must remain low for the entire duration of the Hold mode to ensure that the device internal logic remains unchanged. If CS# goes high while the device is in the Hold mode, the internal logic is reset. To prevent the device from reverting to the Hold mode when device communication is resumed, HOLD# must be held high, followed by driving CS# low.

**Note:** The HOLD Mode feature is disabled during Quad I/O Mode.

Figure 7.1 Hold Mode Operation



## 7.11 Accelerated Programming Operation

The device offers accelerated program operations through the ACC function. This function is primarily intended to allow faster manufacturing throughput at the factory. If the system asserts  $V_{HH}$  on this pin, the device uses the higher voltage on the pin to reduce the time required for program operations. Removing  $V_{HH}$  from the W#/ACC pin returns the device to normal operation. Note that the W#/ACC pin must not be at  $V_{HH}$  for operations other than accelerated programming, or device damage may result. In addition, the W#/ACC pin must not be left floating or unconnected; inconsistent behavior of the device may result.

**Note:** The ACC function is disabled during Quad I/O Mode.

## 8. Sector Address Table

The Sector Address tables show the size of the memory array, sectors, and pages. The device uses pages to cache the program data before the data is programmed into the memory array. Each page or byte can be individually programmed (bits are changed from 1 to 0). The data is erased (bits are changed from 0 to 1) on a sub-sector, sector- or device-wide basis using the P4E/P8E, SE or BE commands. [Table 8.1](#) and [Table 8.2](#) show the starting and ending address for each sector. The complete set of sectors comprises the memory array of the Flash device.

**Table 8.1** S25FL032P Sector Address Table TBPARM=0

Sector	Address range		Sector	Address range		Sector	Address range	
	Start address	End address		Start address	End address		Start address	End address
SA63	3F0000h	3FFFFFFh	SA31	1F0000h	1FFFFFFh	SS31	01F000h	01FFFFFFh
SA62	3E0000h	3EFFFFh	SA30	1E0000h	1EFFFFh	SS30	01E000h	01EFFFFh
SA61	3D0000h	3DFFFFh	SA29	1D0000h	1DFFFFh	SS29	01D000h	01DFFFFh
SA60	3C0000h	3CFFFFh	SA28	1C0000h	1CFFFFh	SS28	01C000h	01CFFFFh
SA59	3B0000h	3BFFFFh	SA27	1B0000h	1BFFFFh	SS27	01B000h	01BFFFFh
SA58	3A0000h	3AFFFFh	SA26	1A0000h	1AFFFFh	SS26	01A000h	01AFFFFh
SA57	390000h	39FFFFh	SA25	190000h	19FFFFh	SS25	019000h	019FFFFh
SA56	380000h	38FFFFh	SA24	180000h	18FFFFh	SS24	018000h	018FFFFh
SA55	370000h	37FFFFh	SA23	170000h	17FFFFh	SS23	017000h	017FFFFh
SA54	360000h	36FFFFh	SA22	160000h	16FFFFh	SS22	016000h	016FFFFh
SA53	350000h	35FFFFh	SA21	150000h	15FFFFh	SS21	015000h	015FFFFh
SA52	340000h	34FFFFh	SA20	140000h	14FFFFh	SS20	014000h	014FFFFh
SA51	330000h	33FFFFh	SA19	130000h	13FFFFh	SS19	013000h	013FFFFh
SA50	320000h	32FFFFh	SA18	120000h	12FFFFh	SS18	012000h	012FFFFh
SA49	310000h	31FFFFh	SA17	110000h	11FFFFh	SS17	011000h	011FFFFh
SA48	300000h	30FFFFh	SA16	100000h	10FFFFh	SS16	010000h	010FFFFh
SA47	2F0000h	2FFFFFFh	SA15	0F0000h	0FFFFFFh	SS15	00F000h	00FFFFFFh
SA46	2E0000h	2EFFFFh	SA14	0E0000h	0EFFFFh	SS14	00E000h	00EFFFFh
SA45	2D0000h	2DFFFFh	SA13	0D0000h	0DFFFFh	SS13	00D000h	00DFFFFh
SA44	2C0000h	2CFFFFh	SA12	0C0000h	0CFFFFh	SS12	00C000h	00CFFFFh
SA43	2B0000h	2BFFFFh	SA11	0B0000h	0BFFFFh	SS11	00B000h	00BFFFFh
SA42	2A0000h	2AFFFFh	SA10	0A0000h	0AFFFFh	SS10	00A000h	00AFFFFh
SA41	290000h	29FFFFh	SA9	090000h	09FFFFh	SS9	009000h	009FFFFh
SA40	280000h	28FFFFh	SA8	080000h	08FFFFh	SS8	008000h	008FFFFh
SA39	270000h	27FFFFh	SA7	070000h	07FFFFh	SS7	007000h	007FFFFh
SA38	260000h	26FFFFh	SA6	060000h	06FFFFh	SS6	006000h	006FFFFh
SA37	250000h	25FFFFh	SA5	050000h	05FFFFh	SS5	005000h	005FFFFh
SA36	240000h	24FFFFh	SA4	040000h	04FFFFh	SS4	004000h	004FFFFh
SA35	230000h	23FFFFh	SA3	030000h	03FFFFh	SS3	003000h	003FFFFh
SA34	220000h	22FFFFh	SA2	020000h	02FFFFh	SS2	002000h	002FFFFh
SA33	210000h	21FFFFh	SA1	010000h	01FFFFh	SS1	001000h	001FFFFh
SA32	200000h	20FFFFh	SA0	000000h	00FFFFh	SS0	000000h	000FFFFh

**Note**

Sector SA0 is split up into sub-sectors SS0 - SS15 (dark gray shading)

Sector SA1 is split up into sub-sectors SS16 - SS31 (light gray shading)

Table 8.2 S25FL032P Sector Address Table TBPARM=1

Sector	Address Range		Sector	Address Range		Sector	Address Range	
	Start Address	End Address		Start Address	End Address		Start Address	End Address
SS31	3FF000h	3FFFFFFh	SA63	3F0000h	3FFFFFFh	SA31	1F0000h	1FFFFFFh
SS30	3FE000h	3FEFFFh	SA62	3E0000h	3EFFFh	SA30	1E0000h	1EFFFh
SS29	3FD000h	3FDFFFh	SA61	3D0000h	3DFFFh	SA29	1D0000h	1DFFFh
SS28	3FC000h	3FCFFFh	SA60	3C0000h	3CFFFh	SA28	1C0000h	1CFFFh
SS27	3FB000h	3FBFFFh	SA59	3B0000h	3BFFFh	SA27	1B0000h	1BFFFh
SS26	3FA000h	3FAFFFh	SA58	3A0000h	3AFFFh	SA26	1A0000h	1AFFFh
SS25	3F9000h	3F9FFFh	SA57	390000h	39FFFh	SA25	190000h	19FFFh
SS24	3F8000h	3F8FFFh	SA56	380000h	38FFFh	SA24	180000h	18FFFh
SS23	3F7000h	3F7FFFh	SA55	370000h	37FFFh	SA23	170000h	17FFFh
SS22	3F6000h	3F6FFFh	SA54	360000h	36FFFh	SA22	160000h	16FFFh
SS21	3F5000h	3F5FFFh	SA53	350000h	35FFFh	SA21	150000h	15FFFh
SS20	3F4000h	3F4FFFh	SA52	340000h	34FFFh	SA20	140000h	14FFFh
SS19	3F3000h	3F3FFFh	SA51	330000h	33FFFh	SA19	130000h	13FFFh
SS18	3F2000h	3F2FFFh	SA50	320000h	32FFFh	SA18	120000h	12FFFh
SS17	3F1000h	3F1FFFh	SA49	310000h	31FFFh	SA17	110000h	11FFFh
SS16	3F0000h	3F0FFFh	SA48	300000h	30FFFh	SA16	100000h	10FFFh
SS15	3EF000h	3EFFFh	SA47	2F0000h	2EFFFh	SA15	0F0000h	0EFFFh
SS14	3EE000h	3EEFFFh	SA46	2E0000h	2EFFFh	SA14	0E0000h	0EFFFh
SS13	3ED000h	3EDFFFh	SA45	2D0000h	2DFFFh	SA13	0D0000h	0DFFFh
SS12	3EC000h	3ECFFFh	SA44	2C0000h	2CFFFh	SA12	0C0000h	0CFFFh
SS11	3EB000h	3EBFFFh	SA43	2B0000h	2BFFFh	SA11	0B0000h	0BFFFh
SS10	3EA000h	3EAFFFh	SA42	2A0000h	2AFFFh	SA10	0A0000h	0AFFFh
SS9	3E9000h	3E9FFFh	SA41	290000h	29FFFh	SA9	090000h	09FFFh
SS8	3E8000h	3E8FFFh	SA40	280000h	28FFFh	SA8	080000h	08FFFh
SS7	3E7000h	3E7FFFh	SA39	270000h	27FFFh	SA7	070000h	07FFFh
SS6	3E6000h	3E6FFFh	SA38	260000h	26FFFh	SA6	060000h	06FFFh
SS5	3E5000h	3E5FFFh	SA37	250000h	25FFFh	SA5	050000h	05FFFh
SS4	3E4000h	3E4FFFh	SA36	240000h	24FFFh	SA4	040000h	04FFFh
SS3	3E3000h	3E3FFFh	SA35	230000h	23FFFh	SA3	030000h	03FFFh
SS2	3E2000h	3E2FFFh	SA34	220000h	22FFFh	SA2	020000h	02FFFh
SS1	3E1000h	3E1FFFh	SA33	210000h	21FFFh	SA1	010000h	01FFFh
SS0	3E0000h	3E0FFFh	SA32	200000h	20FFFh	SA0	000000h	00FFFh

**Note**

Sector SA62 is split up into sub-sectors SS0 - SS15 (dark gray shading)

Sector SA63 is split up into sub-sectors SS16 - SS31 (light gray shading)

## 9. Command Definitions

The host system must shift all commands, addresses, and data in and out of the device, beginning with the most significant bit. On the first rising edge of SCK after CS# is driven low, the device accepts the one-byte command on SI (all commands are one byte long), most significant bit first. Each successive bit is latched on the rising edge of SCK. [Table 9.1](#) lists the complete set of commands.

Every command sequence begins with a one-byte command code. The command may be followed by address, data, both, or nothing, depending on the command. CS# must be driven high after the last bit of the command sequence has been written.

The Read Data Bytes (READ), Read Data Bytes at Higher Speed (FAST\_READ), Dual Output Read (DOR), Quad Output Read (QOR), Dual I/O High Performance Read (DIOR), Quad I/O High Performance Read (QIOR), Read Status Register (RDSR), Read Configuration Register (RCR), Read OTP Data (OTPR), Read Manufacturer and Device ID (READ\_ID), Read Identification (RDID) and Release from Deep Power-Down and Read Electronic Signature (RES) command sequences are followed by a data output sequence on SO. CS# can be driven high after any bit of the sequence is output to terminate the operation.

The Page Program (PP), Quad Page Program (QPP), 64 KB Sector Erase (SE), 4 KB Parameter Sector Erase (P4E), 8 KB Parameter Sector Erase (P8E), Bulk Erase (BE), Write Status and Configuration Registers (WRR), Program OTP space (OTPP), Write Enable (WREN), or Write Disable (WRDI) commands require that CS# be driven high at a byte boundary, otherwise the command is not executed. Since a byte is composed of eight bits, CS# must therefore be driven high when the number of clock pulses after CS# is driven low is an exact multiple of eight.

The device ignores any attempt to access the memory array during a Write Registers, program, or erase operation, and continues the operation uninterrupted.

The instruction set is listed in [Table 9.1](#).

Table 9.1 Instruction Set

Operation	Command	One byte Command Code	Description	Address Byte Cycle	Mode Bit Cycle	Dummy Byte Cycle	Data Byte Cycle
Read	READ	(03h) 0000 0011	Read Data bytes	3	0	0	1 to ∞
	FAST_READ	(0Bh) 0000 1011	Read Data bytes at Fast Speed	3	0	1	1 to ∞
	DOR	(3Bh) 0011 1011	Dual Output Read	3	0	1	1 to ∞
	QOR	(6Bh) 0110 1011	Quad Output Read	3	0	1	1 to ∞
	DIOR	(BBh) 1011 1011	Dual I/O High Performance Read	3	1	0	1 to ∞
	QIOR	(EBh) 1110 1011	Quad I/O High Performance Read	3	1	2	1 to ∞
	RDID	(9Fh) 1001 1111	Read Identification	0	0	0	1 to 81
	READ_ID	(90h) 1001 0000	Read Manufacturer and Device Identification	3	0	0	1 to ∞
Write Control	WREN	(06h) 0000 0110	Write Enable	0	0	0	0
	WRDI	(04h) 0000 0100	Write Disable	0	0	0	0
Erase	P4E	(20h) 0010 0000	4 KB Parameter Sector Erase	3	0	0	0
	P8E	(40h) 0100 0000	8 KB (two 4KB) Parameter Sector Erase	3	0	0	0
	SE	(D8h) 1101 1000	64KB Sector Erase	3	0	0	0
	BE	(60h) 0110 0000 or (C7h) 1100 0111	Bulk Erase	0	0	0	0
Program	PP	(02h) 0000 0010	Page Programming	3	0	0	1 to 256
	QPP	(32h) 0011 0010	Quad Page Programming	3	0	0	1 to 256
Status & Configuration Register	RDSR	(05h) 0000 0101	Read Status Register	0	0	0	1 to ∞
	WRR	(01h) 0000 0001	Write (Status & Configuration) Register	0	0	0	1 to 2
	RCR	(35h) 0011 0101	Read Configuration Register (CFG)	0	0	0	1 to ∞
	CLSR	(30h) 0011 0000	Reset the Erase and Program Fail Flag (SR5 and SR6) and restore normal operation)	0	0	0	0
Power Saving	DP	(B9h) 1011 1001	Deep Power-Down	0	0	0	0
	RES	(ABh) 1010 1011	Release from Deep Power-Down Mode	0	0	0	0
		(ABh) 1010 1011	Release from Deep Power-Down and Read Electronic Signature	0	0	3	1 to ∞
OTP	OTPP	(42h) 0100 0010	Program one byte of data in OTP memory space	3	0	0	1
	OTPR	(4Bh) 0100 1011	Read data in the OTP memory space	3	0	1	1 to ∞

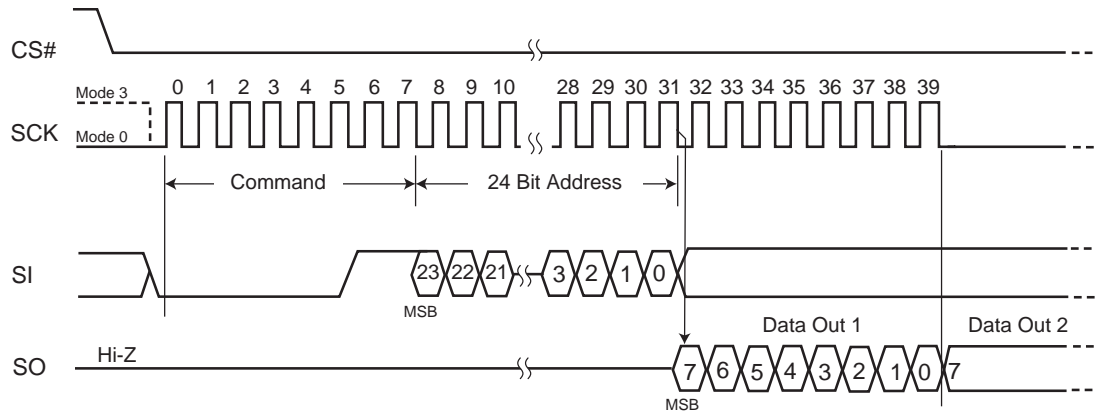
## 9.1 Read Data Bytes (READ)

The Read Data Bytes (READ) command reads data from the memory array at the frequency ( $f_R$ ) presented at the SCK input, with a maximum speed of 40 MHz. The host system must first select the device by driving CS# low. The READ command is then written to SI, followed by a 3 byte address (A23-A0). Each bit is latched on the rising edge of SCK. The memory array data, at that address, are output serially on SO at a frequency  $f_R$ , on the falling edge of SCK.

Figure 9.1 and Table 9.1 on page 23 detail the READ command sequence. The first address byte specified can start at any location of the memory array. The device automatically increments to the next higher address after each byte of data is output. The entire memory array can therefore be read with a single READ command. When the highest address is reached, the address counter reverts to 00000h, allowing the read sequence to continue indefinitely.

The READ command is terminated by driving CS# high at any time during data output. The device rejects any READ command issued while it is executing a program, erase, or Write Registers operation, and continues the operation uninterrupted.

Figure 9.1 Read Data Bytes (READ) Command Sequence





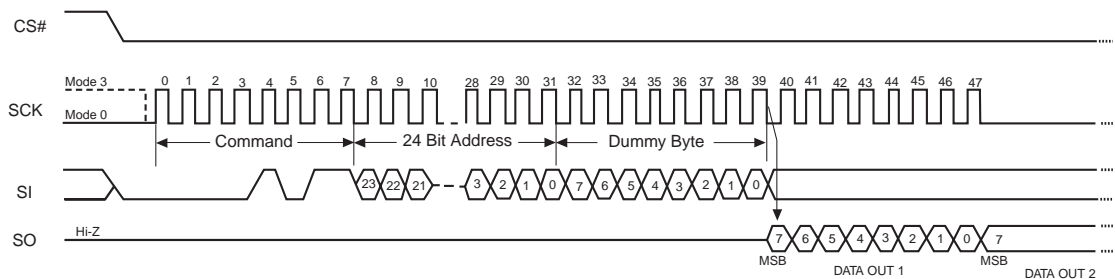
## 9.2 Read Data Bytes at Higher Speed (FAST\_READ)

The FAST\_READ command reads data from the memory array at the frequency ( $f_C$ ) presented at the SCK input, with a maximum speed of 104 MHz. The host system must first select the device by driving CS# low. The FAST\_READ command is then written to SI, followed by a 3 byte address (A23-A0) and a dummy byte. Each bit is latched on the rising edge of SCK. The memory array data, at that address, are output serially on SO at a frequency  $f_C$ , on the falling edge of SCK.

The FAST\_READ command sequence is shown in [Figure 9.2](#) and [Table 9.1 on page 23](#). The first address byte specified can start at any location of the memory array. The device automatically increments to the next higher address after each byte of data is output. The entire memory array can therefore be read with a single FAST\_READ command. When the highest address is reached, the address counter reverts to 000000h, allowing the read sequence to continue indefinitely.

The FAST\_READ command is terminated by driving CS# high at any time during data output. The device rejects any FAST\_READ command issued while it is executing a program, erase, or Write Registers operation, and continues the operation uninterrupted.

**Figure 9.2** Read Data Bytes at Higher Speed (FAST\_READ) Command Sequence



### 9.3 Dual Output Read Mode (DOR)

The Dual Output Read instruction is similar to the FAST\_READ instruction, except that the data is shifted out 2 bits at a time using 2 pins (SI/IO0 and SO/IO1) instead of 1 bit, at a maximum frequency of 80 MHz. The Dual Output Read mode effectively doubles the data transfer rate compared to the FAST\_READ instruction.

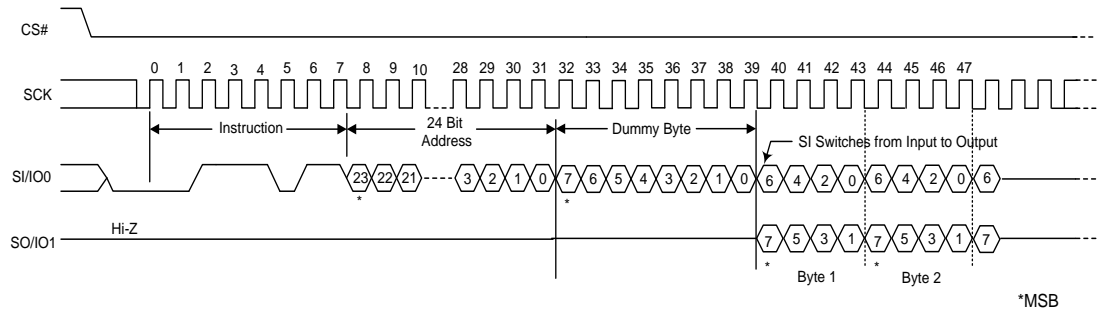
The host system must first select the device by driving CS# low. The Dual Output Read command is then written to SI, followed by a 3-byte address (A23-A0) and a dummy byte. Each bit is latched on the rising edge of SCK. Then the memory contents, at the address that is given, are shifted out two bits at a time through the IO0 (SI) and IO1 (SO) pins at a frequency  $f_C$  on the falling edge of SCK.

The Dual Output Read command sequence is shown in Figure 9.3 and Table 9.1 on page 23. The first address byte specified can start at any location of the memory array. The device automatically increments to the next higher address after each byte of data is output. The entire memory array can therefore be read with a single Dual Output Read command. When the highest address is reached, the address counter reverts to 0000h, allowing the read sequence to continue indefinitely.

It is important that the I/O pins be set to high-impedance prior to the falling edge of the first data out clock.

The Dual Output Read command is terminated by driving CS# high at any time during data output. The device rejects any Dual Output Read command issued while it is executing a program, erase, or Write Registers operation, and continues the operation uninterrupted.

Figure 9.3 Dual Output Read Instruction Sequence



## 9.4 Quad Output Read Mode (QOR)

The Quad Output Read instruction is similar to the FAST\_READ instruction, except that the data is shifted out 4 bits at a time using 4 pins (SI/IO0, SO/IO1, W#/ACC/IO2 and HOLD#/IO3) instead of 1 bit, at a maximum frequency of 80 MHz. The Quad Output Read mode effectively doubles the data transfer rate compared to the Dual Output Read instruction, and is four times the data transfer rate of the FAST\_READ instruction.

The host system must first select the device by driving CS# low. The Quad Output Read command is then written to SI, followed by a 3-byte address (A23-A0) and a dummy byte. Each bit is latched on the rising edge of SCK. Then the memory contents, at the address that are given, are shifted out four bits at a time through IO0 (SI), IO1 (SO), IO2 (W#/ACC), and IO3 (HOLD#) pins at a frequency  $f_C$  on the falling edge of SCK.

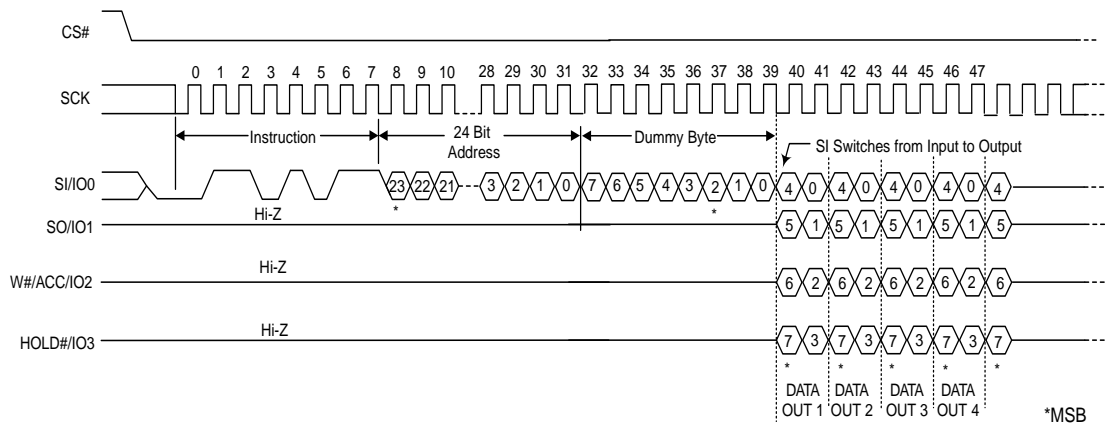
The Quad Output Read command sequence is shown in Figure 9.4 and Table 9.1 on page 23. The first address byte specified can start at any location of the memory array. The device automatically increments to the next higher address after each byte of data is output. The entire memory array can therefore be read with a single Quad Output Read command. When the highest address is reached, the address counter reverts to 0000h, allowing the read sequence to continue indefinitely.

It is important that the I/O pins be set to high-impedance prior to the falling edge of the first data out clock.

The Quad Output Read command is terminated by driving CS# high at any time during data output. The device rejects any Quad Output Read command issued while it is executing a program, erase, or Write Registers operation, and continues the operation uninterrupted.

The Quad bit of Configuration Register must be set (CR Bit1 = 1) to enable the Quad mode capability of the S25FL device.

Figure 9.4 Quad Output Read Instruction Sequence



## 9.5 DUAL I/O High Performance Read Mode (DIOR)

The Dual I/O High Performance Read instruction is similar to the Dual Output Read instruction, except that it improves throughput by allowing input of the address bits (A23-A0) using 2 bits per SCK via two input pins (SI/IO2 and SO/IO1), at a maximum frequency of 80 MHz.

The host system must first select the device by driving CS# low. The Dual I/O High Performance Read command is then written to SI, followed by a 3-byte address (A23-A0) and a 1-byte Mode instruction, with two bits latched on the rising edge of SCK. Then the memory contents, at the address that is given, are shifted out two bits at a time through IO0 (SI) and IO1 (SO).

The DUAL I/O High Performance Read command sequence is shown in [Figure 9.5](#) and [Table 9.1 on page 23](#). The first address byte specified can start at any location of the memory array. The device automatically increments to the next higher address after each byte of data is output. The entire memory array can therefore be read with a single DUAL I/O High Performance Read command. When the highest address is reached, the address counter reverts to 00000h, allowing the read sequence to continue indefinitely.

In addition, address jumps can be done without exiting the Dual I/O High Performance Mode through the setting of the Mode bits (after the Address (A23-0) sequence, as shown in [Figure 9.5](#)). This added feature removes the need for the instruction sequence and greatly improves code execution (XIP). The upper nibble (bits 7-4) of the Mode bits control the length of the next Dual I/O High Performance instruction through the inclusion or exclusion of the first byte instruction code. The lower nibble (bits 3-0) of the Mode bits are DON'T CARE ("x"). If the Mode bits equal Axh, then the device remains in Dual I/O High Performance Read Mode and the next address can be entered (after CS# is raised high and then asserted low) without requiring the BBh instruction opcode, as shown in [Figure 9.6](#), thus eliminating eight cycles for the instruction sequence. However, if the Mode bits are any value other than Axh, then the next instruction (after CS# is raised high and then asserted low) requires the instruction sequence, which is normal operation. The following sequences will release the device from Dual I/O High Performance Read mode; after which, the device can accept standard SPI instructions:

1. During the Dual I/O High Performance Instruction Sequence, if the Mode bits are any value other than Axh, then the next time CS# is raised high and then asserted low, the device will be released from Dual I/O High Performance Read mode.
2. Furthermore, during any operation, if CS# toggles high to low to high for eight cycles (or less) **and** data input (IO0 & IO1) are not set for a valid instruction sequence, then the device will be released from Dual I/O High Performance Read mode.

It is important that the I/O pins be set to high-impedance prior to the falling edge of the first data out clock.

The read instruction can be terminated by driving the CS# pin to the logic high state. The CS# pin can be driven high at any time during data output to terminate a read operation.

**Figure 9.5** DUAL I/O High Performance Read Instruction Sequence

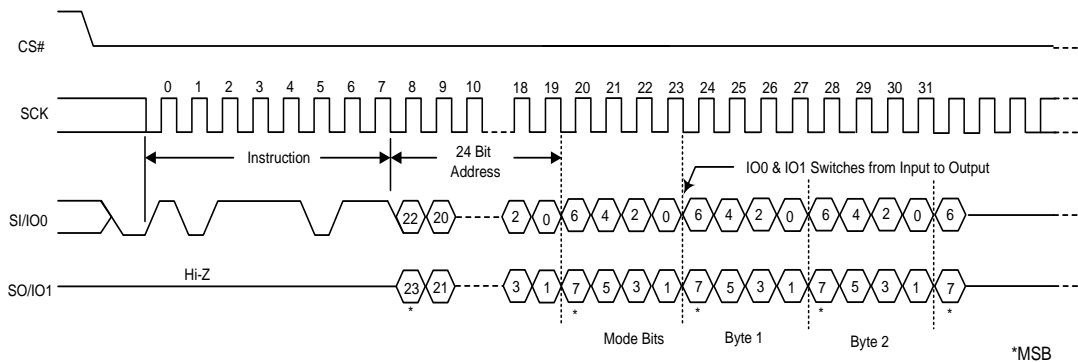
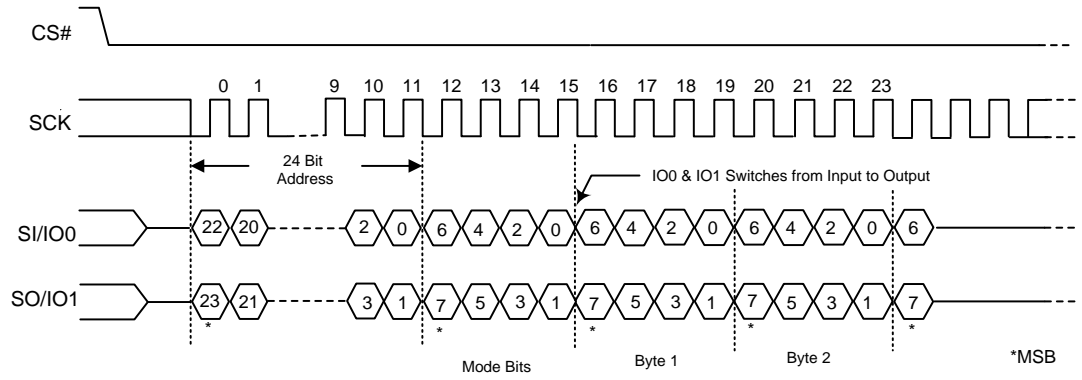


Figure 9.6 Continuous Dual I/O High Performance Read Instruction Sequence



## 9.6 Quad I/O High Performance Read Mode (QIOR)

The Quad I/O High Performance Read instruction is similar to the Quad Output Read instruction, except that it further improves throughput by allowing input of the address bits (A23-A0) using 4 bits per SCK via four input pins (SI/IO0, SO/IO1, W#/ACC/IO2 and HOLD#/IO3), at a maximum frequency of 80 MHz.

The host system must first select the device by driving CS# low. The Quad I/O High Performance Read command is then written to SI, followed by a 3-byte address (A23-A0) and a 1-byte Mode instruction, with four bits latched on the rising edge of SCK. Note that four dummy clocks are required prior to the data input. Then the memory contents, at the address that is given, are shifted out four bits at a time through IO0 (SI), IO1 (SO), IO2 (W#/ACC), and IO3 (HOLD#).

The Quad I/O High Performance Read command sequence is shown in [Figure 9.7](#) and [Table 9.1 on page 23](#). The first address byte specified can start at any location of the memory array. The device automatically increments to the next higher address after each byte of data is output. The entire memory array can therefore be read with a single Quad I/O High Performance Read command. When the highest address is reached, the address counter reverts to 00000h, allowing the read sequence to continue indefinitely.

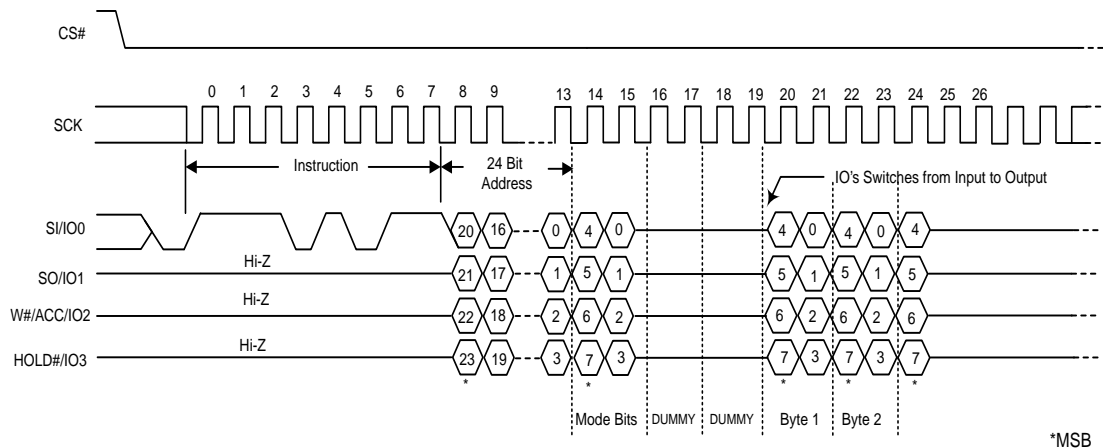
In addition, address jumps can be done without exiting the Quad I/O High Performance Mode through the setting of the Mode bits (after the Address (A23-0) sequence, as shown in [Figure 9.7](#)). This added feature removes the need for the instruction sequence and greatly improves code execution (XIP). The upper nibble (bits 7-4) of the Mode bits control the length of the next Quad I/O High Performance instruction through the inclusion or exclusion of the first byte instruction code. The lower nibble (bits 3-0) of the Mode bits are DON'T CARE ("x"). If the Mode bits equal Axh, then the device remains in Quad I/O High Performance Read Mode and the next address can be entered (after CS# is raised high and then asserted low) without requiring the EBh instruction opcode, as shown in [Figure 9.8](#), thus eliminating eight cycles for the instruction sequence. The following sequences will release the device from Quad I/O High Performance Read mode; after which, the device can accept standard SPI instructions:

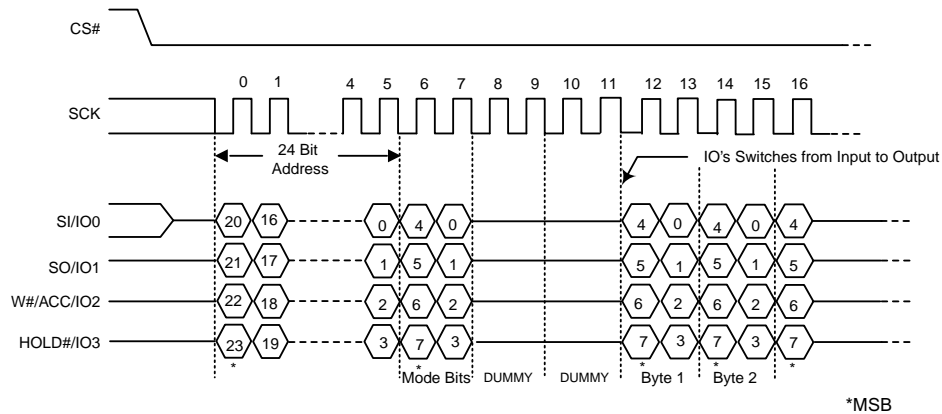
1. During the Quad I/O High Performance Instruction Sequence, if the Mode bits are any value other than Axh, then the next time CS# is raised high and then asserted low the device will be released from Quad I/O High Performance Read mode.
2. Furthermore, during any operation, if CS# toggles high to low to high for eight cycles (or less) **and** data input (IO0, IO1, IO2, & IO3) are not set for a valid instruction sequence, then the device will be released from Quad I/O High Performance Read mode.

It is important that the I/O pins be set to high-impedance prior to the falling edge of the first data out clock.

The read instruction can be terminated by driving the CS# pin to the logic high state. The CS# pin can be driven high at any time during data output to terminate a read operation.

**Figure 9.7** QUAD I/O High Performance Instruction Sequence



**Figure 9.8** Continuous QUAD I/O High Performance Instruction Sequence


## 9.7 Read Identification (RDID)

The Read Identification (RDID) command outputs the one-byte manufacturer identification, followed by the two-byte device identification and the bytes for the Common Flash Interface (CFI) tables. The manufacturer identification is assigned by JEDEC; for Spansion devices, it is 01h. The device identification (2 bytes) and CFI bytes are assigned by the device manufacturer.

See [Table 9.2 on page 32](#) for device ID data.

The Common Flash Interface (CFI) specification outlines device and host system software interrogation handshake, which allows vendor-specified software algorithms to be used for entire families of devices. Software support can then be device-independent, JEDEC ID-independent, and forward- and backward-compatible for the specified flash device families. Flash vendors can standardize their existing interfaces for long-term compatibility. The system can read CFI information at the addresses given in [Table 9.3](#).

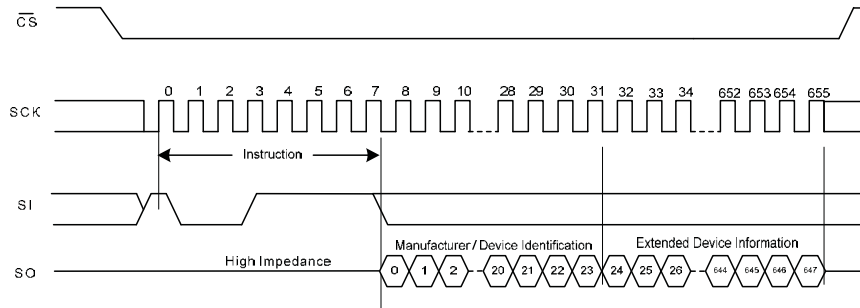
The host system must first select the device by driving CS# low. The RDID command is then written to SI, and each bit is latched on the rising edge of SCK. One byte of manufacture identification, two bytes of device identification and sixty-six bytes of extended device identification are then output from the memory array on SO at a frequency  $f_R$ , on the falling edge of SCK. The maximum clock frequency for the RDID (9Fh) command is 50 MHz (Normal Read). The manufacturer ID and Device ID can be read repeatedly by applying multiples of 648 clock cycles. The manufacturer ID, Device ID and CFI table can be continuously read as long as CS# is held low with a clock input.

The RDID command sequence is shown in [Figure 9.9](#) and [Table 9.1 on page 23](#).

Driving CS# high after the device identification data has been read at least once terminates the RDID command. Driving CS# high at any time during data output (for example, while reading the extended CFI bytes), also terminates the RDID operation.

The device rejects any RDID command issued while it is executing a program, erase, or Write Registers operation, and continues the operation uninterrupted.

**Figure 9.9** Read Identification (RDID) Command Sequence and Data-Out Sequence



**Table 9.2** Manufacturer & Device ID - RDID (JEDEC 9Fh):

Device	Manuf. ID	Device Id		# Extended bytes
	Byte 0	Byte 1	Byte 2	Byte 3
S25FL032P SPI Flash	01h	02h	15h	4Dh

**Notes**

1. Byte 0 is Manufacturer ID of Spansion.
2. Byte 1 & 2 is Device Id.
3. Byte 3 is Extended Device Information String Length, to indicate how many Extended Device Information bytes will follow.
4. Bytes 4, 5 and 6 are Spansion reserved (do not use).
5. For Bytes 07h-0Fh and 3Dh-3Fh, the data will be read as 0xFF.
6. Bytes 10h-50h are factory programmed per JEDEC standard.

**Table 9.3** Product Group CFI Query Identification String

Byte	Data	Description
10h	51h	Query Unique ASCII string "QRY"
11h	52h	
12h	59h	
13h	02h	Primary OEM Command Set
14h	00h	
15h	40h	Address for Primary Extended Table
16h	00h	
17h	00h	Alternate OEM Command Set (00h = none exists)
18h	00h	
19h	00h	Address for Alternate OEM Extended Table (00h = none exists)
1Ah	00h	

**Table 9.4** Product Group CFI System Interface String

Byte	Data	Description
1Bh	27h	V <sub>CC</sub> Min. (erase/program): (D7-D4: Volt, D3-D0: 100 mV)
1Ch	36h	V <sub>CC</sub> Max. (erase/program): (D7-D4: Volt, D3-D0: 100 mV)
1Dh	00h	V <sub>PP</sub> Min. voltage (00h = no VPP pin present)
1Eh	00h	V <sub>PP</sub> Max. voltage (00h = no VPP pin present)
1Fh	0Bh	Typical timeout per single byte program 2 <sup>N</sup> μs
20h	0Bh	Typical timeout for Min. size Page program 2 <sup>N</sup> μs (00h = not supported)
21h	09h	Typical timeout per individual sector erase 2 <sup>N</sup> ms



**Table 9.4** Product Group CFI System Interface String

22h	0Fh	Typical timeout for full chip erase $2^N$ ms (00h = not supported)
23h	01h	Max. timeout for byte program $2^N$ times typical
24h	01h	Max. timeout for page program $2^N$ times typical
25h	02h	Max. timeout per individual sector erase $2^N$ times typical
26h	01h	Max. timeout for full chip erase $2^N$ times typical (00h = not supported)

**Table 9.5** Product Group CFI Device Geometry Definition

Byte	Data	Description
27h	16h	Device Size = $2^N$ byte;
28h	05h	Flash Device Interface Description; 00h = x8 only 01h = x16 only 02h = x8/x16 capable 03h = x32 only 04h = Single I/O SPI, 3-byte address 05h = Multi I/O SPI, 3-byte address
29h	05h	
2Ah	08h	Max. number of bytes in multi-byte write = $2^N$ (00 = not supported)
2Bh	00h	
2Ch	02h	Number of Erase Block Regions within device 1 = Uniform Device, 2 = Parameter Block
2Dh	1Fh	Erase Block Region 1 Information (refer to CFI publication 100)
2Eh	00h	
2Fh	10h	
30h	00h	
31h	3Dh	Erase Block Region 2 Information (refer to CFI publication 100)
32h	00h	
33h	00h	
34h	01h	
35h	00h	Erase Block Region 3 Information (refer to CFI publication 100)
36h	00h	
37h	00h	
38h	00h	
39h	00h	Erase Block Region 4 Information (refer to CFI publication 100)
3Ah	00h	
3Bh	00h	
3Ch	00h	

**Table 9.6** Product Group CFI Primary Vendor-Specific Extended Query

Byte	Data	Description
40h	50h	Query-unique ASCII string "PRI"
41h	52h	
42h	49h	
43h	31h	Major version number, ASCII
44h	33h	Minor version number, ASCII
45h	15h	Address Sensitive Unlock (Bits 1-0) 00b = Required, 01b = Not Required Process Technology (Bits 5-2) 0000b = 0.23 $\mu$ m Floating Gate 0001b = 0.17 $\mu$ m Floating Gate 0010b = 0.23 $\mu$ m MirrorBit 0010b = 0.20 $\mu$ m MirrorBit 0011b = 0.11 $\mu$ m Floating Gate 0100b = 0.11 $\mu$ m MirrorBit 0101b = 0.09 $\mu$ m MirrorBit 1000b = 0.065 $\mu$ m MirrorBit
46h	00h	Erase Suspend 0 = Not Supported, 1 = Read Only, 2 = Read & Write
47h	01h	Sector Protect 00 = Not Supported, X = Number of sectors in per smallest group
48h	00h	Temporary Sector Unprotect 00 = Not Supported, 01 = Supported
49h	05h	Sector Protect/Unprotect Scheme 04 = High Voltage Method 05 = Software Command Locking Method 08 = Advanced Sector Protection Method
4Ah	00h	Simultaneous Operation 00 = Not Supported, X = Number of Sectors outside Bank 1
4Bh	01h	Burst Mode Type 00 = Not Supported, 01 = Supported
4Ch	03h	Page Mode Type 00 = Not Supported, 01 = 4 Word Page, 02 = 8 Word Page, 03 = 256 Byte Page
4Dh	85h	ACC (Acceleration) Supply Minimum 00 = Not Supported, (D7-D4: Volt, D3-D0: 100 mV)
4Eh	95h	ACC (Acceleration) Supply Maximum 00 = Not Supported, (D7-D4: Volt, D3-D0: 100 mV)
4Fh	07h	W# Protection 07 = Uniform Device with Top or Bottom Write Protect (user select)
50h	00h	Program Suspend 00 = Not Supported, 01 = Supported

**Note**

CFI data related to  $V_{CC}$  and time-outs may differ from actual  $V_{CC}$  and time-outs of the product. Please consult the Ordering Information tables to obtain the  $V_{CC}$  range for particular part numbers. Please consult the [AC Characteristics on page 57](#) for typical timeout specifications.

## 9.8 Read-ID (READ\_ID)

The READ\_ID instruction provides the S25FL032P manufacturer and device information and is provided as an alternative to the Release from Deep Power-Down and Read Electronic Signature (RES), and the JEDEC Read Identification (RDID) commands.

The instruction is initiated by driving the CS# pin low and shifting in (via the SI input pin) the instruction code “90h” followed by a 24-bit address (which is either 00000h or 00001h). Following this, the Manufacturer ID and the Device ID are shifted out on the SO output pin starting after the falling edge of the SCK serial clock input signal. If the 24-bit address is set to 000000h, the Manufacturer ID is read out first followed by the Device ID. If the 24-bit address is set to 000001h, then the Device ID is read out first followed by the Manufacturer ID. The Manufacturer ID and the Device ID are always shifted out on the SO output pin with the MSB first, as shown in Figure 10-14. Once the device is in Read-ID mode, the Manufacturer ID and Device ID output data toggles between address 000000H and 000001H until terminated by a low to high transition on the CS# input pin. The maximum clock frequency for the Read-ID (90h) command is at 104 MHz (FAST\_READ). The Manufacturer ID & Device ID is output continuously until terminated by a low to high transition on CS# chip select input pin.

Figure 9.10 Read-ID (RDID) Command Timing Diagram

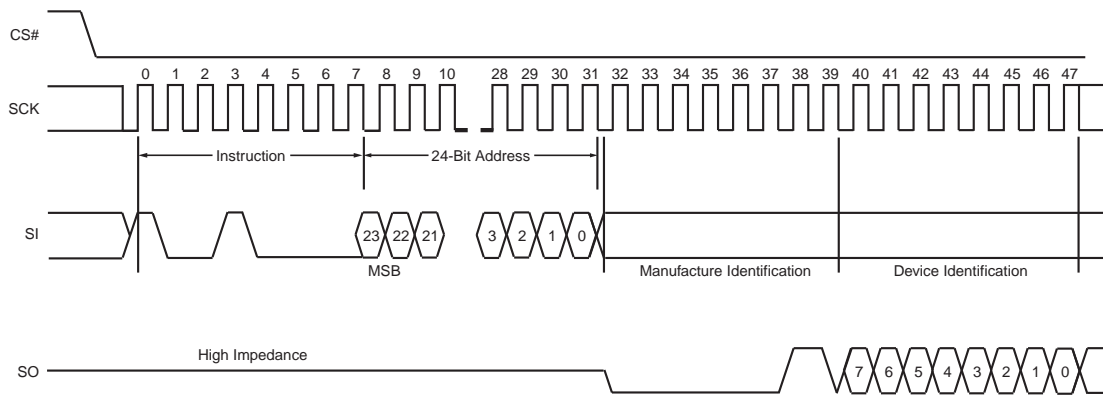


Table 9.7 READ\_ID Data-Out Sequence

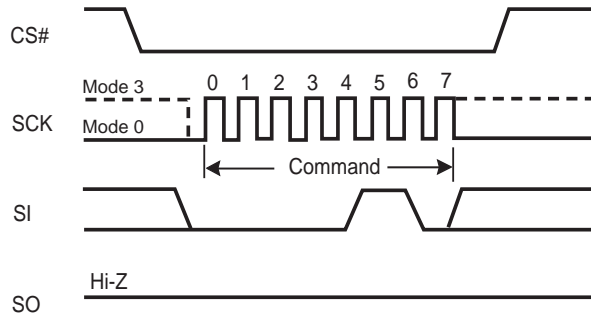
	Address	Uniform
Manufacturer Identification	00000h	01h
Device Identification	00001h	15h

### 9.9 Write Enable (WREN)

The Write Enable (WREN) command (see [Figure 9.11](#)) sets the Write Enable Latch (WEL) bit to a 1, which enables the device to accept a Write Status Register, program, or erase command. The WEL bit must be set prior to every Page Program (PP), Quad Page Program (QPP), Parameter Sector Erase (P4E, P8E), Erase (SE or BE), Write Registers (WRR) and OTP Program (OTPP) command.

The host system must first drive CS# low, write the WREN command, and then drive CS# high.

**Figure 9.11** Write Enable (WREN) Command Sequence



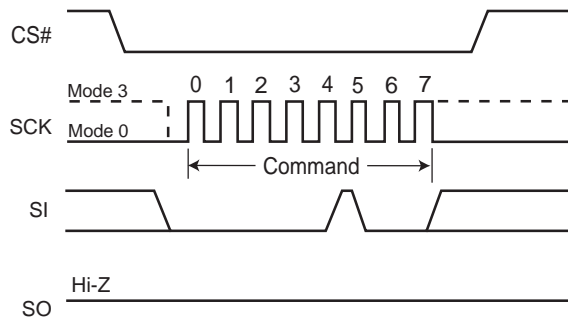
### 9.10 Write Disable (WRDI)

The Write Disable (WRDI) command (see [Figure 9.12](#)) resets the Write Enable Latch (WEL) bit to a 0, which disables the device from accepting a Page Program (PP), Quad Page Program (QPP), Parameter Sector Erase (P4E, P8E), Erase (SE, BE), Write Registers (WRR) and OTP Program (OTPP) command. The host system must first drive CS# low, write the WRDI command, and then drive CS# high.

Any of following conditions resets the WEL bit:

- Power-up
- Write Disable (WRDI) command completion
- Write Registers (WRR) command completion
- Page Program (PP) command completion
- Quad Page Program (QPP) completion
- Parameter Sector Erase (P4E, P8E) completion
- Sector Erase (SE) command completion
- Bulk Erase (BE) command completion
- OTP Program (OTPP) completion

**Figure 9.12** Write Disable (WRDI) Command Sequence



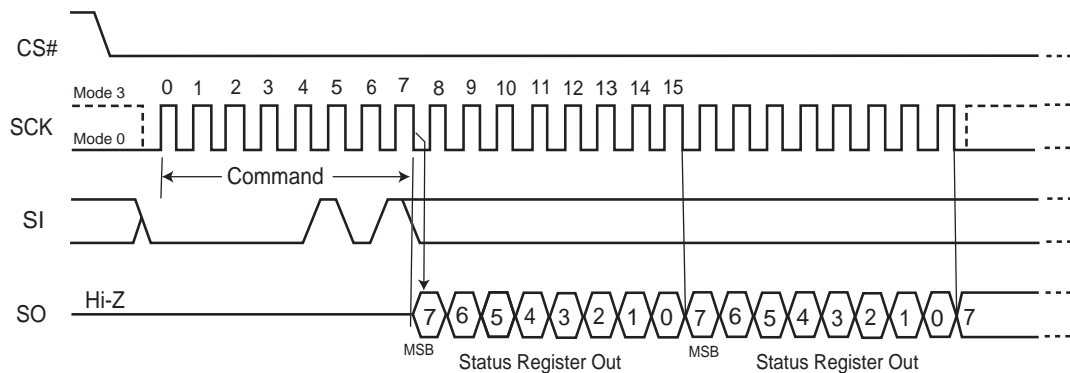
## 9.11 Read Status Register (RDSR)

The Read Status Register (RDSR) command outputs the state of the Status Register bits. [Table 9.8](#) shows the status register bits and their functions. The RDSR command may be written at any time, even while a program, erase, or Write Registers operation is in progress. The host system should check the Write In Progress (WIP) bit before sending a new command to the device if an operation is already in progress. [Figure 9.13](#) shows the RDSR command sequence, which also shows that it is possible to read the Status Register continuously until CS# is driven high. The maximum clock frequency for the RDSR command is 104 MHz.

**Table 9.8** S25FL032P Status Register

Bit	Status Register Bit	Bit Function	Description
7	SRWD	Status Register Write Disable	1 = Protects when W#/ACC is low 0 = No protection, even when W#/ACC is low
6	P_ERR	Programming Error Occurred	0 = No Error 1 = Error occurred
5	E_ERR	Erase Error Occurred	0 = No Error 1 = Error occurred
4	BP2	Block Protect	Protects selected Block from Program or Erase
3	BP1		
2	BP0		
1	WEL	Write Enable Latch	1 = Device accepts Write Registers, program or erase commands 0 = Ignores Write Registers, program or erase commands
0	WIP	Write in Progress	1 = Device Busy a Write Registers, program or erase operation is in progress 0 = Ready. Device is in standby mode and can accept commands.

**Figure 9.13** Read Status Register (RDSR) Command Sequence



The following describes the status and control bits of the Status Register.

**Write In Progress (WIP) bit:** Indicates whether the device is busy performing a Write Registers, program, or erase operation. This bit is read-only, and is controlled internally by the device. If WIP is 1, one of these operations is in progress; if WIP is 0, no such operation is in progress. This bit is a Read-only bit.

**Write Enable Latch (WEL) bit:** Determines whether the device will accept and execute a Write Registers, program, or erase command. When set to 1, the device accepts these commands; when set to 0, the device rejects the commands. This bit is set to 1 by writing the WREN command, and set to 0 by the WRDI command, and is also automatically reset to 0 after the completion of a Write Registers, program, or erase operation, and after a power down/power up sequence. WEL cannot be directly set by the WRR command.

**Block Protect (BP2, BP1, BP0) bits:** Define the portion of the memory area that will be protected against any changes to the stored data. The Block Protection (BP2, BP1, BP0) bits are either volatile or non-volatile, depending on the state of the non-volatile bit BPNV in the Configuration register. The Block Protection (BP2, BP1, BP0) bits are written with the Write Registers (WRR) instruction. When one or more of the Block Protect (BP2, BP1, BP0) bits is set to 1's, the relevant memory area is protected against Page Program (PP), Parameter Sector Erase (P4E, P8E), Sector Erase (SE), Quad Page Programming (QPP) and Bulk Erase (BE) instructions. If the Hardware Protected mode is enabled, BP2:BP0 cannot be changed.

The Bulk Erase (BE) instruction can be executed only when the Block Protection (BP2, BP1, BP0) bits are set to 0's.

The default condition of the BP2-0 bits is binary 000 (all 0's).

**Erase Error bit (E\_ERR):** The Erase Error Bit is used as a Erase operation success and failure check. When the Erase Error bit is set to a "1", it indicates that there was an error which occurred in the last erase operation. With the Erase Error bit set to a "1", this bit is reset with the Clear Status Register (CLSR) command.

**Program Error bit (P\_ERR):** The Program Error Bit is used as a Program operation success and failure check. When the Program Error bit is set to a "1", it indicates that there was an error which occurred in the last program operation. With the Program Error bit set to a "1", this bit is reset with the Clear Status Register (CLSR) command.

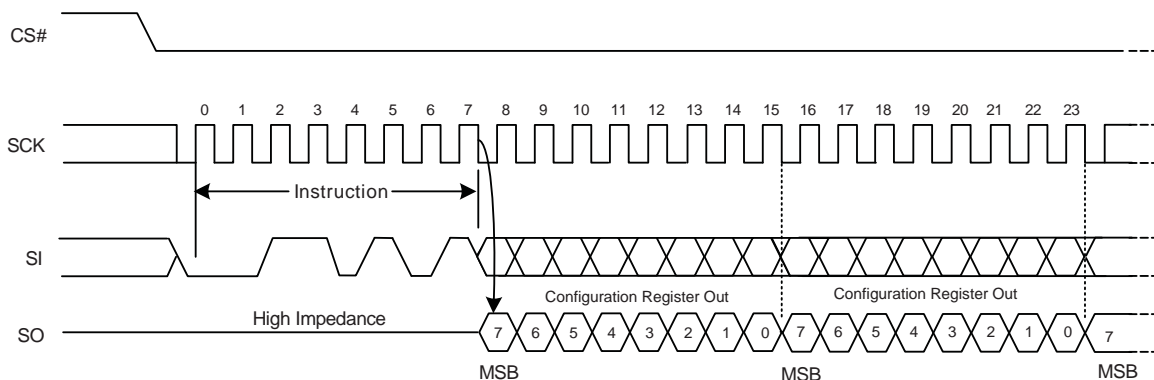
**Status Register Write Disable (SRWD) bit:** Provides data protection when used together with the Write Protect (W#/ACC) signal. The Status Register Write Disable (SRWD) bit is operated in conjunction with the Write Protect (W#/ACC) input pin. The Status Register Write Disable (SRWD) bit and the Write Protect (W#/ACC) signal allow the device to be put in the Hardware Protected mode. With the Status Register Write Disable (SRWD) bit set to a "1" and the W#/ACC driven to the logic low state, the device enters the Hardware Protected mode; the non-volatile bits of the Status Register (SRWD, BP2, BP1, BP0) and the nonvolatile bits of the Configuration Register (TBPARM, TBPROT, BPNV and QUAD) become read-only bits and the Write Registers (WRR) instruction opcode is no longer accepted for execution.

**Note:** the P\_ERR and E\_ERR bits will not be set to a 1 if the application writes to a protected memory area.

## 9.12 Read Configuration Register (RCR)

The Read Configuration Register (RCR) instruction opcode allows the Configuration Register contents to be read out of the SO serial output pin. The Configuration Register contents may be read at any time, even while a program, erase, or write cycle is in progress. When one of these cycles is in progress, it is recommended to the user to check the Write In Progress (WIP) bit of the Status Register before issuing a new instruction opcode to the device. The Configuration Register originally shows 00h when the device is first shipped from the factory to the customer. Refer to [Section 7.8 on page 16](#) for more details.

**Figure 9.14** Read Configuration Register (RCR) Instruction Sequence



## 9.13 Write Registers (WRR)

The Write Registers (WRR) command allows changing the bits in the Status and Configuration Registers. A Write Enable (WREN) command, which itself sets the Write Enable Latch (WEL) in the Status Register, is required prior to writing the WRR command. [Table 9.8](#) shows the status register bits and their functions.

The host system must drive CS# low, then write the WRR command and the appropriate data byte on SI [Figure 9.15](#).

The WRR command cannot change the state of the Write Enable Latch (bit 1). The WREN command must be used for that purpose.

The Status Register consists of one data byte in length; similarly, the Configuration Register is also one data byte in length. The CS# pin must be driven to the logic low state during the entire duration of the sequence.

The WRR command also controls the value of the Status Register Write Disable (SRWD) bit. The SRWD bit and W#/ACC pin together place the device in the Hardware Protected Mode (HPM). The device ignores all WRR commands once it enters the Hardware Protected Mode (HPM). [Table 9.9](#) shows that W#/ACC must be driven low and the SRWD bit must be 1 for this to occur.

The Write Registers (WRR) instruction has no effect on the P/E Error and the WIP bits of the Status & Configuration Registers. Any bit reserved for the future is always read as a '0'.

The CS# chip select input pin must be driven to the logic high state after the eighth (see [Figure 9.15](#)) or sixteenth (see [Figure 9.16](#)) bit of data has been latched in. If not, the Write Registers (WRR) instruction is not executed. If CS# is driven high after the eighth cycle then only the Status Register is written to; otherwise, after the sixteenth cycle both the Status and Configuration Registers are written to. As soon as the CS# chip select input pin is driven to the logic high state, the self-timed Write Registers cycle is initiated. While the Write Registers cycle is in progress, the Status Register may still be read to check the value of the Write In Progress (WIP) bit. The Write In Progress (WIP) bit is a '1' during the self-timed Write Registers cycle, and is a '0' when it is completed. When the Write Registers cycle is completed, the Write Enable Latch (WEL) is set to a '0'. The WRR command can operate at a maximum clock frequency of 104 MHz.

**Figure 9.15** Write Registers (WRR) Instruction Sequence – 8 data bits

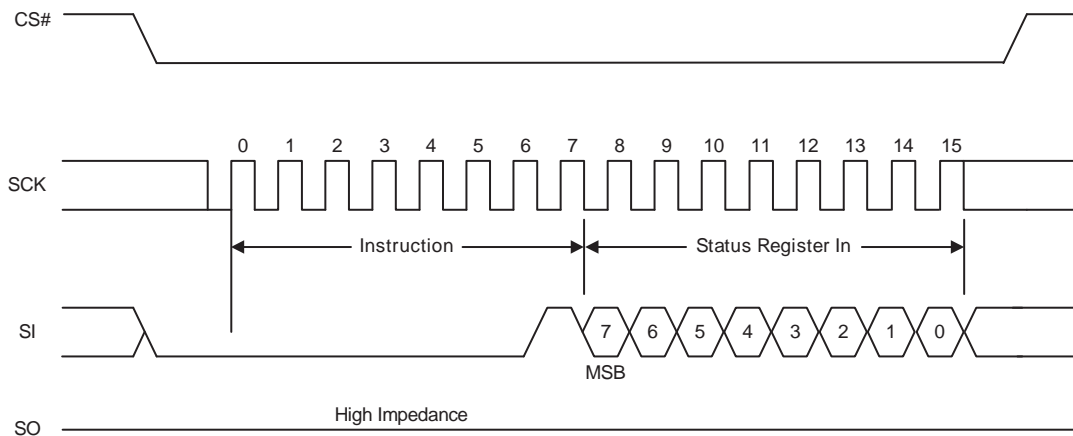


Figure 9.16 Write Registers (WRR) Instruction Sequence – 16 data bits

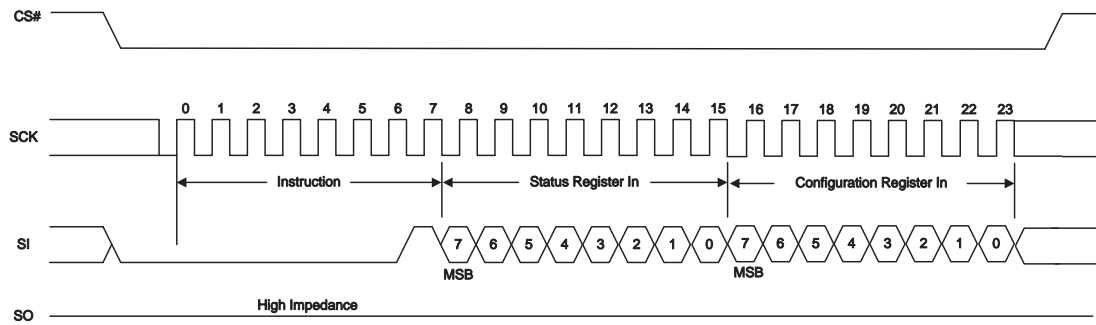


Table 9.9 Protection Modes

W#/ACC	SRWD Bit	Mode	Write Protection of Registers	Memory Content	
				Protected Area	Unprotected Area
1	1	Software Protected (SPM)	Status & Configuration Registers are Writable (if WREN instruction has set the WEL bit). The values in the SRWD, BP2, BP1, & BP0 bits & those in the Configuration Register can be changed	Protected against Page Program, Parameter Sector Erase, Sector Erase, and Bulk Erase	Ready to accept Page Program, Parameter Sector Erase, & Sector Erase instructions
1	0				
0	0				
0	1	Hardware Protected (HPM)	Status & Configuration Registers are Hardware Write Protected. The values in the SRWD, BP2, BP1, & BP0 bits & those in the Configuration Register cannot be changed	Protected against Page Program, Parameter Sector Erase, Sector Erase, and Bulk Erase	Ready to accept Page Program, Parameter Sector Erase, Sector Erase instructions

**Note**

As defined by the values in the Block Protect (BP2, BP1, BP0) bits of the Status Register, as shown in Table 7.3 on page 18.

Table 9.9 shows that neither W#/ACC or SRWD bit by themselves can enable HPM. The device can enter HPM either by setting the SRWD bit after driving W#/ACC low, or by driving W#/ACC low after setting the SRWD bit. However, the device disables HPM only when W#/ACC is driven high.

Note that HPM only protects against changes to the status register. Since BP2:BP0 cannot be changed in HPM, the size of the protected area of the memory array cannot be changed. Note that HPM provides no protection to the memory array area outside that specified by BP2:BP0 (Software Protected Mode, or SPM).

If W#/ACC is permanently tied high, HPM can never be activated, and only the SPM (BP2:BP0 bits of the Status Register) can be used.

The Status and Configuration registers originally default to 00h, when the device is first shipped from the factory to the customer.

**Note:** HPM is disabled when the Quad I/O Mode is enabled (Quad bit = 1 in the Configuration Register). W# becomes IO2; therefore, HPM cannot be utilized.



### 9.14 Page Program (PP)

The Page Program (PP) command changes specified bytes in the memory array (from 1 to 0 only). A WREN command is required prior to writing the PP command.

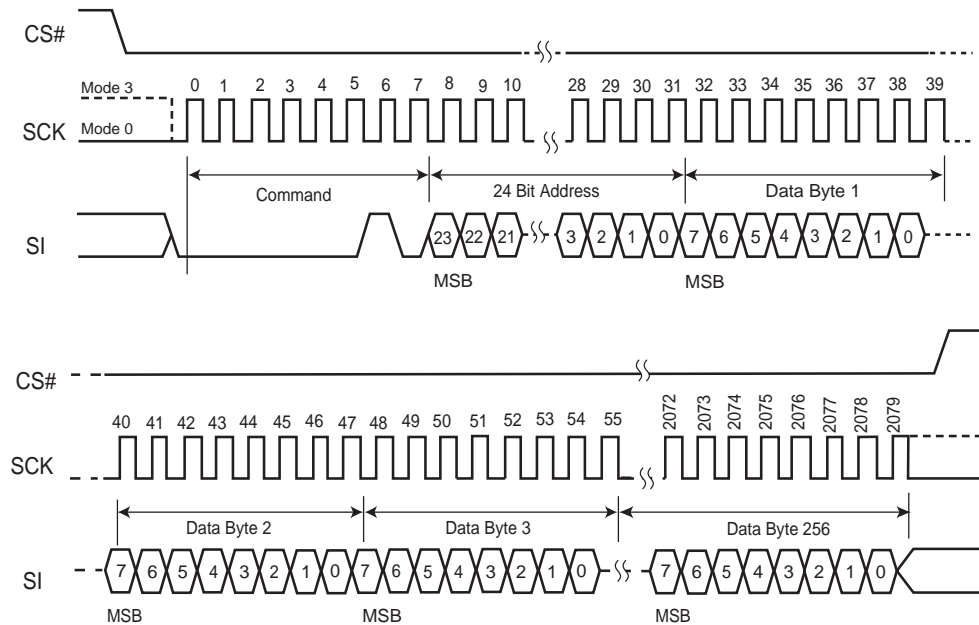
The host system must drive CS# low, and then write the PP command, three address bytes, and at least one data byte on SI. If the 8 least significant address bits (A7-A0) are not all zero, all transmitted data that goes beyond the end of the currently selected page are programmed from the starting address of the same page (from the address whose 8 least significant bits are all zero). CS# must be driven low for the entire duration of the PP sequence. The command sequence is shown in [Figure 9.17](#) and [Table 9.1 on page 23](#).

The device programs only the last 256 data bytes sent to the device. If the 8 least significant address bits (A7-A0) are not all zero, all transmitted data that goes beyond the end of the currently selected page are programmed from the starting address of the same page (from the address whose 8 least significant bits are all zero). If fewer than 256 data bytes are sent to device, they are correctly programmed at the requested addresses without having any effect on the other bytes in the same page.

The host system must drive CS# high after the device has latched the 8th bit of the data byte, otherwise the device does not execute the PP command. The PP operation begins as soon as CS# is driven high. The device internally controls the timing of the operation, which requires a period of  $t_{PP}$ . The Status Register may be read to check the value of the Write In Progress (WIP) bit while the PP operation is in progress. The WIP bit is 1 during the PP operation, and is 0 when the operation is completed. The device internally resets the Write Enable Latch to 0 before the operation completes (the exact timing is not specified).

The device does not execute a Page Program (PP) command that specifies a page that is protected by the Block Protect bits (BP2:BP0) (see [Table 7.3 on page 18](#)).

Figure 9.17 Page Program (PP) Command Sequence

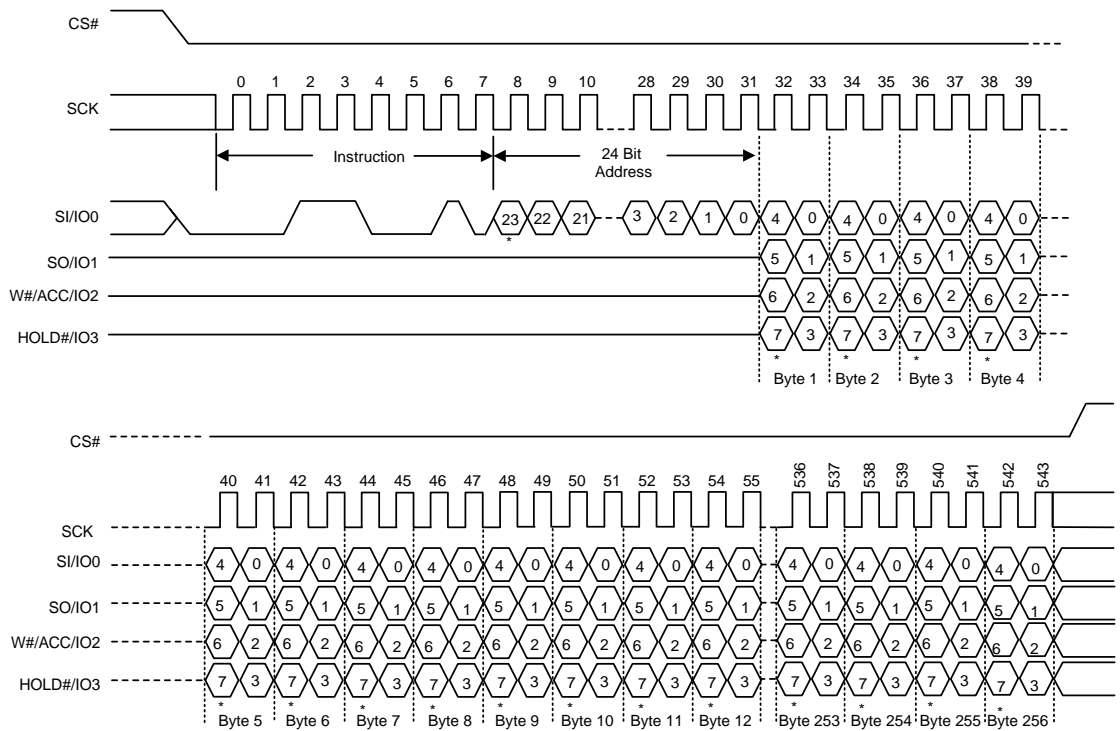


### 9.15 QUAD Page Program (QPP)

The Quad Page Program instruction is similar to the Page Program instruction, except that the Quad Page Program (QPP) instruction allows up to 256 bytes of data to be programmed at previously erased (FFh) memory locations using four pins: IO0 (SI), IO1 (SO), IO2 (W#/ACC), and IO3 (HOLD#), instead of just one pin (SI) as in the case of the Page Program (PP) instruction. This effectively increases the data transfer rate by up to four times, as compared to the Page Program (PP) instruction. The QPP feature can improve performance for PROM Programmer and applications that have slow clock speeds < 5 MHz. Systems with faster clock speed will not realize much benefit for the QPP instruction since the inherent page program time is much greater than the time it take to clock-in the data.

To use QPP, the Quad Enable Bit in the Configuration Register must be set (QUAD = 1). A Write Enable instruction must be executed before the device will accept the Quad Page Program instruction (Status Register-1, WEL = 1). The instruction is initiated by driving the CS# pin low then shifting the instruction code "32h" followed by a 24 bit address (A23-A0) and at least one data byte, into the IO pins. The CS# pin must be held low for the entire length of the instruction while data is being sent to the device. All other functions of Quad Input Page Program are identical to standard Page Program. The QPP instruction sequence is shown below.

Figure 9.18 QUAD Page Program Instruction Sequence



\*MSB

## 9.16 Parameter Sector Erase (P4E, P8E)

The Parameter Sector Erase (P4E, P8E) command sets all bits at all addresses within a specified sector to a logic 1 (FFh). A WREN command is required prior to writing the Parameter Sector Erase commands.

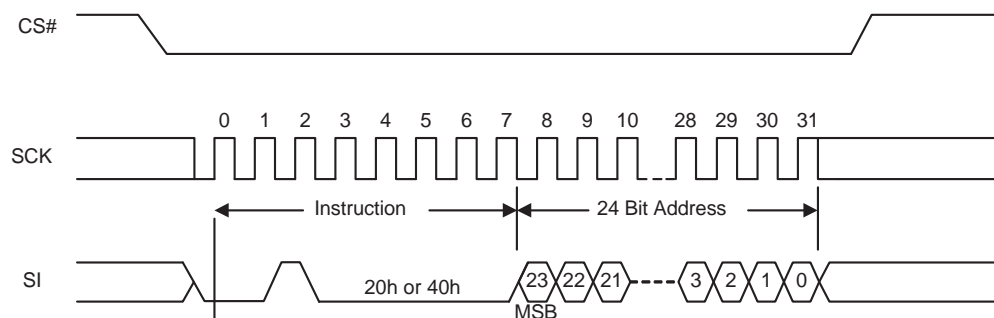
The host system must drive CS# low, and then write the P4E or P8E command, plus three address bytes on SI. Any address within the sector (see [Table 8.1 on page 20](#) and [Table 8.2 on page 21](#)) is a valid address for the P4E or P8E command. CS# must be driven low for the entire duration of the P4E/P8E sequence. The command sequence is shown in [Figure 9.19](#) and [Table 9.1 on page 23](#).

The host system must drive CS# high after the device has latched the 24th bit of the P4E/P8E address, otherwise the device does not execute the command. The parameter sector erase operation begins as soon as CS# is driven high. The device internally controls the timing of the operation, which requires a period of  $t_{SE}$ . The Status Register may be read to check the value of the Write In Progress (WIP) bit while the parameter sector erase operation is in progress. The WIP bit is 1 during the P4E/P8E operation, and is 0 when the operation is completed. The device internally resets the Write Enable Latch to 0 before the operation completes (the exact timing is not specified).

A Parameter Sector Erase (P4E, P8E) instruction applied to a sector that has been Write Protected through the Block Protect Bits will not be executed.

The Parameter Sector Erase Command (P8E) erases two of the 4 KB Sectors in selected address space. The Parameter Sector Erase Command (P8E) erases two sequential 4 KB Parameter Sectors in the selected address space. The address LSB is disregarded so that two sequential 4 KB Parameter Sectors are erased. The 24 Bit Address is any location within the first Sector to be erased (n), and the next sequential 4 KB Parameter Sector will also be erased (n+1). The 4 KB parameter Sector will only be erased properly if n or n+1 is a valid 4 KB parameter Sector. i.e. If n is not a valid 4K parameter Sector, then it will not be erased. If n+1 is not a valid 4 KB parameter Sector, then it will not be erased.

**Figure 9.19** Parameter Sector Erase (P4E, P8E) Instruction Sequence



### 9.17 Sector Erase (SE)

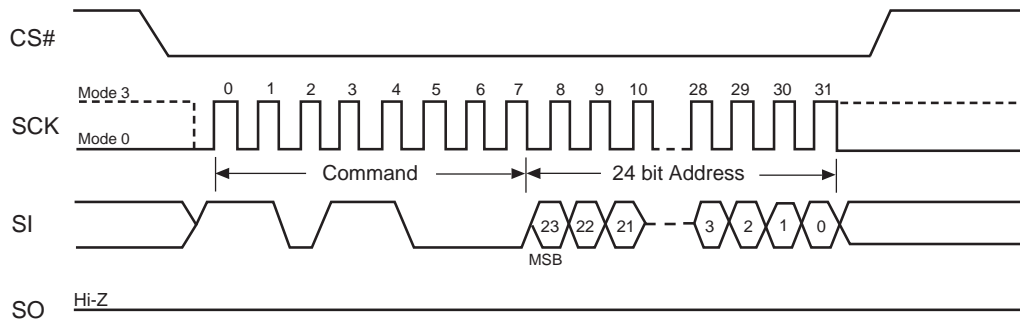
The Sector Erase (SE) command sets all bits at all addresses within a specified sector to a logic 1. A WREN command is required prior to writing the SE command.

The host system must drive CS# low, and then write the SE command plus three address bytes on SI. Any address within the sector (see [Table 7.3 on page 18](#)) is a valid address for the SE command. CS# must be driven low for the entire duration of the SE sequence. The command sequence is shown in [Figure 9.20](#) and [Table 9.1 on page 23](#).

The host system must drive CS# high after the device has latched the 24th bit of the SE address, otherwise the device does not execute the command. The SE operation begins as soon as CS# is driven high. The device internally controls the timing of the operation, which requires a period of  $t_{SE}$ . The Status Register may be read to check the value of the Write In Progress (WIP) bit while the SE operation is in progress. The WIP bit is 1 during the SE operation, and is 0 when the operation is completed. The device internally resets the Write Enable Latch to 0 before the operation completes (the exact timing is not specified).

The device only executes a SE command if all Block Protect bits (BP2:BP0) are 0 (see [Table 7.3 on page 18](#)). Otherwise, the device ignores the command.

**Figure 9.20** Sector Erase (SE) Command Sequence



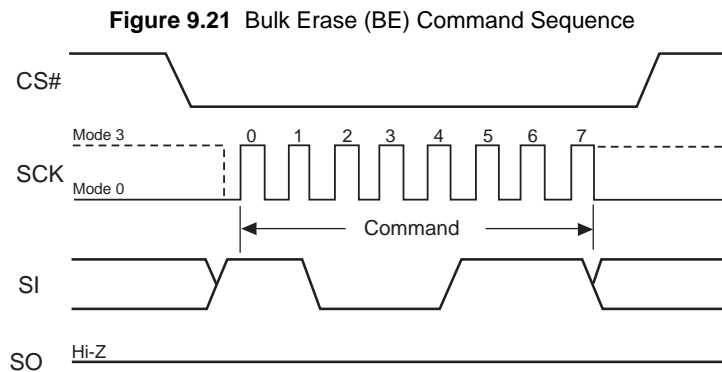
## 9.18 Bulk Erase (BE)

The Bulk Erase (BE) command sets all the bits within the entire memory array to logic 1s. A WREN command is required prior to writing the BE command.

The host system must drive CS# low, and then write the BE command on SI. CS# must be driven low for the entire duration of the BE sequence. The command sequence is shown in [Figure 9.21](#) and [Table 9.1](#) on page 23.

The host system must drive CS# high after the device has latched the 8th bit of the CE command, otherwise the device does not execute the command. The BE operation begins as soon as CS# is driven high. The device internally controls the timing of the operation, which requires a period of  $t_{BE}$ . The Status Register may be read to check the value of the Write In Progress (WIP) bit while the BE operation is in progress. The WIP bit is 1 during the BE operation, and is 0 when the operation is completed. The device internally resets the Write Enable Latch to 0 before the operation completes (the exact timing is not specified).

The device only executes a BE command if all Block Protect bits (BP2:BP0) are 0 (see [Table 7.3](#) on page 18). Otherwise, the device ignores the command.



### 9.19 Deep Power-Down (DP)

The Deep Power-Down (DP) command provides the lowest power consumption mode of the device. It is intended for periods when the device is not in active use, and ignores all commands except for the Release from Deep Power-Down (RES) command. *The DP mode therefore provides the maximum data protection against unintended write operations.* The standard standby mode, which the device goes into automatically when CS# is high (and all operations in progress are complete), should generally be used for the lowest power consumption when the quickest return to device activity is required.

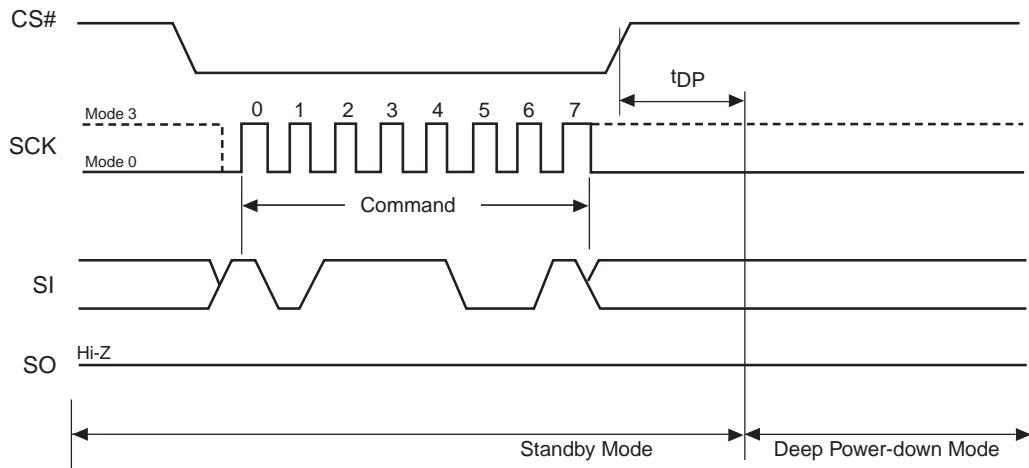
The host system must drive CS# low, and then write the DP command on SI. CS# must be driven low for the entire duration of the DP sequence. The command sequence is shown in [Figure 9.22](#) and [Table 9.1](#) on page 23.

The host system must drive CS# high after the device has latched the 8th bit of the DP command, otherwise the device does not execute the command. After a delay of  $t_{DP}$ , the device enters the DP mode and current reduces from  $I_{SB}$  to  $I_{DP}$  (see [Table 16.1](#) on page 56).

Once the device has entered the DP mode, all commands are ignored except the RES command (which releases the device from the DP mode). The RES command also provides the Electronic Signature of the device to be output on SO, if desired (see [Section 9.20](#) and [9.20.1](#)).

DP mode automatically terminates when power is removed, and the device always powers up in the standard standby mode. The device rejects any DP command issued while it is executing a program, erase, or Write Registers operation, and continues the operation uninterrupted.

**Figure 9.22** Deep Power-Down (DP) Command Sequence



## 9.20 Release from Deep Power-Down (RES)

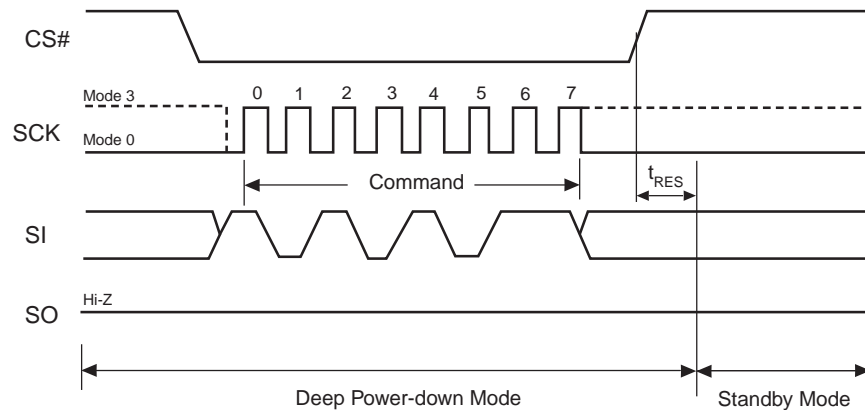
The device requires the Release from Deep Power-Down (RES) command to exit the Deep Power-Down mode. When the device is in the Deep Power-Down mode, all commands except RES are ignored.

The host system must drive CS# low and write the RES command to SI. CS# must be driven low for the entire duration of the sequence. The command sequence is shown in [Figure 9.23](#) and [Table 9.1 on page 23](#).

The host system must drive CS# high  $t_{RES(max)}$  after the 8-bit RES command byte. The device transitions from DP mode to the standby mode after a delay of  $t_{RES}$  (see [Figure 18.1](#)). In the standby mode, the device can execute any read or write command.

**Note:** The RES command does not reset the Write Enable Latch (WEL) bit.

**Figure 9.23** Release from Deep Power-Down (RES) Command Sequence



### 9.20.1 Release from Deep Power-Down and Read Electronic Signature (RES)

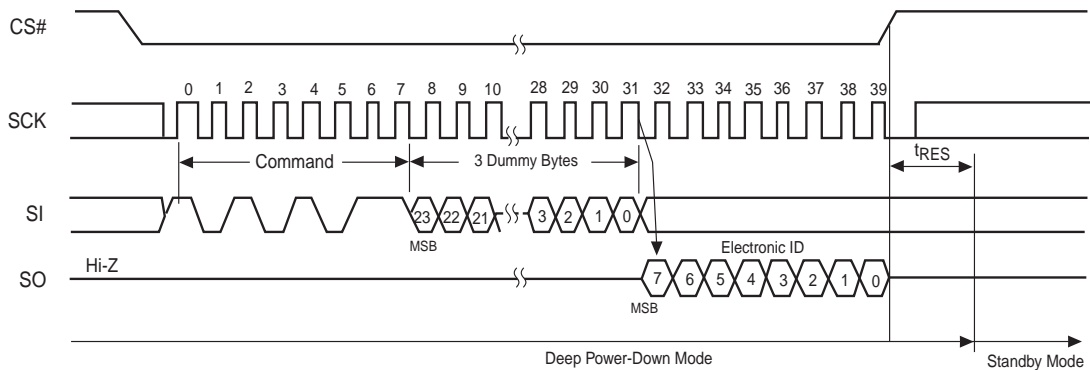
The device features an 8-bit Electronic Signature, which can be read using the RES command. See [Figure 9.24](#) and [Table 9.1 on page 23](#) for the command sequence and signature value. The Electronic Signature is not to be confused with the identification data obtained using the RDID command. The device offers the Electronic Signature so that it can be used with previous devices that offered it; however, the Electronic Signature should not be used for new designs, which should read the RDID data instead.

After the host system drives CS# low, it must write the RES command followed by 3 dummy bytes to SI (each bit is latched on SI during the rising edge of SCK). The Electronic Signature is then output on SO; each bit is shifted out on the falling edge of SCK. The RES operation is terminated by driving CS# high after the Electronic Signature is read at least once. Additional clock cycles on SCK with CS# low cause the device to output the Electronic Signature repeatedly.

When CS# is driven high, the device transitions from DP mode to the standby mode after a delay of  $t_{RES}$ , as previously described. The RES command always provides access to the Electronic Signature of the device and can be applied even if DP mode has not been entered.

Any RES command issued while an erase, program, or Write Registers operation is in progress not executed, and the operation continues uninterrupted.

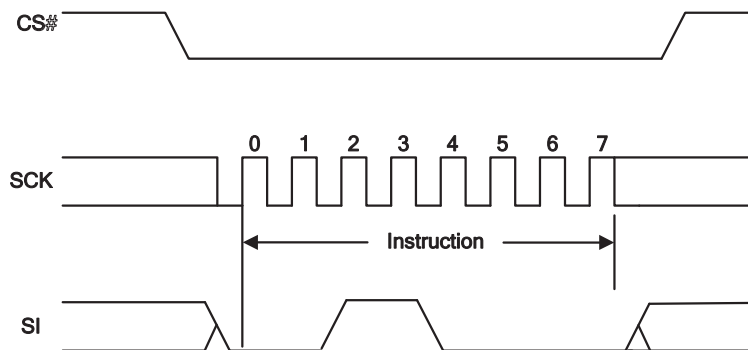
**Figure 9.24** Release from Deep Power-Down and RES Command Sequence



### 9.21 Clear Status Register (CLSR)

The Clear Status Register command resets bit SR5 (Erase Fail Flag) and bit SR6 (Program Fail Flag). It is not necessary to set the WEL bit before the Clear SR Fail Flags command is executed. The WEL bit will be unchanged after this command is executed. This command also resets the State machine and loads latches

**Figure 9.25** Clear Status Register (CLSR) Instruction Sequence





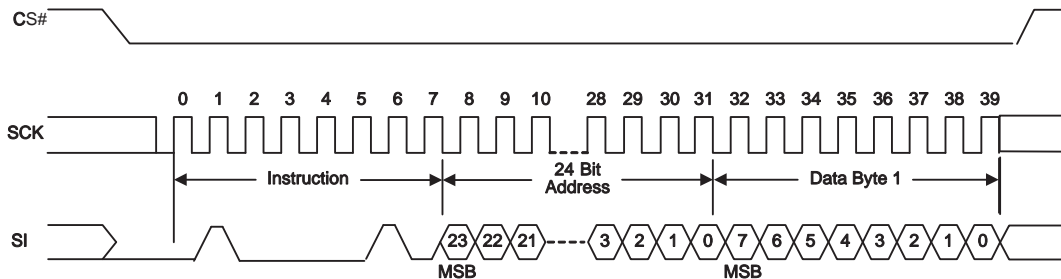
## 9.22 OTP Program (OTPP)

The OTP Program command programs data in the OTP region, which is in a different address space from the main array data. Refer to, [OTP Regions on page 50](#) for details on the OTP region. The protocol of the OTP Program command is the same as the Page Program command, except that the OTP Program command requires exactly one byte of data; otherwise, the command will be ignored. To program the OTP in bit granularity, the rest of the bits within the data byte can be set to “1”.

The OTP memory space can be programmed one or more times, provided that the OTP memory space is not locked (as described in “Locking OTP Regions”). Subsequent OTP programming can be performed only on the unprogrammed bits (that is, “1” data).

Note: The Write Enable (WREN) command must precede the OTPP command before programming of the OTP can occur.

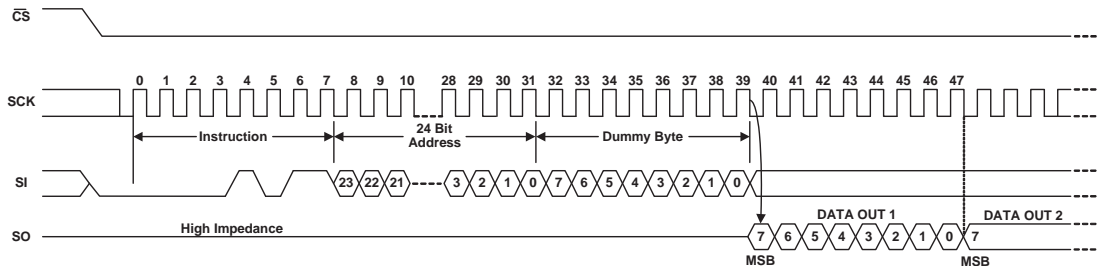
Figure 9.26 OTP Program Instruction Sequence



## 9.23 Read OTP Data Bytes (OTPR)

The Read OTP Data Bytes command reads data from the OTP region. Refer to “[OTP Regions](#)” for details on the OTP region. The protocol of the Read OTP Data Bytes command is the same as the Fast Read Data Bytes command except that it will not wrap to the starting address after the OTP address is at its maximum; instead, the data will be indeterminate.

Figure 9.27 Read OTP Instruction Sequence



## 10. OTP Regions

The OTP Regions are separately addressable from the main array and consists of two 8-byte (ESN), thirty 16-byte, and one 10-byte regions that can be individually locked.

- The two 8-byte ESN region is a special order part (please contact your local Spansion sales representative for further details). The two 8-byte regions enable permanent part identification through an Electronic Serial Number (ESN). The customer can utilize the ESN to pair a Flash device with the system CPU/ASIC to prevent system cloning. The Spansion factory programs and locks the lower 8-byte ESN with a 64-bit randomly generated, unique number. The upper 8-byte ESN is left blank for customer use or, if special ordered, Spansion can program (and lock) in a unique customer ID.

**Table 10.1** ESN1 and ESN2

	Lock register ESN1 (Bit 0)	Lock register ESN2 (Bit 1)	ESN1 region contains	ESN2 region contains
Standard part	1h	1h	0h	0h
Special order part	1h	1h/0h	Unique random pattern	Factory/Customer programmed pattern

- The thirty 16-byte and one 10-byte OTP regions are open for the customer usage.
- The thirty 16-byte, one 10-byte, and upper 8-byte ESN OTP regions can be individually locked by the end user. Once locked, the data cannot be changed. The locking process is permanent and cannot be undone.

The following general conditions should be noted with respect to the OTP Regions:

- On power-up, or following a hardware reset, or at the end of an OTP program or an OTP read command, the device reverts to sending commands to the normal address space.
- Reads or Programs outside of the OTP Regions will be ignored
- The OTP Region is not accessible when the device is executing an Embedded Program or Embedded Erase algorithm.
- The ACC function is not available when accessing the OTP Regions.
- The thirty 16-byte and one 10-byte OTP regions are left open for customer usage, but special care of the OTP locking must be maintained, or else a malevolent user can permanently lock the OTP regions. This is not a concern, if the OTP regions are not used.

### 10.1 Programming OTP Address Space

The protocol of the OTP Program command (42h) is the same as the Page Program command. Refer to [Table 9.1](#) for the command description and protocol. The OTP Program command can be issued multiple times to any given OTP address, but this address space can never be erased. After a given OTP region is programmed, it can be locked to prevent further programming with the OTP lock registers (refer to [Section 10.3](#)). The valid address range for OTP Program is depicted in the figure below. OTP Program operations outside the valid OTP address range will be ignored.

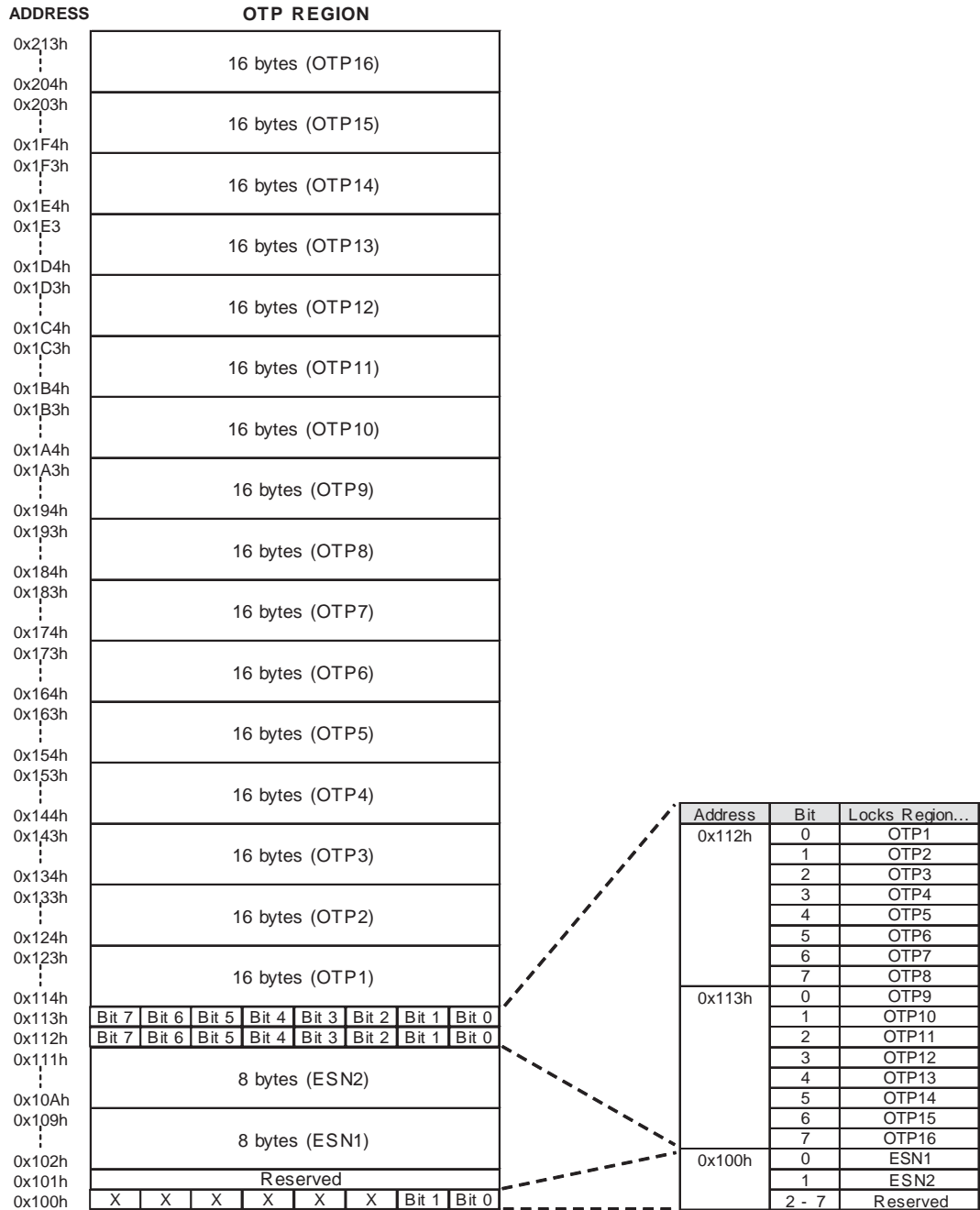
### 10.2 Reading OTP Data

The protocol of the OTP Read command (4Bh) is the same as that of the Fast Read command. Refer to [Table 9.1](#) for the command description and protocol. The valid address range for OTP Reads is depicted in the figure below. OTP Read operations outside the valid OTP address range will yield indeterminate data.

### 10.3 Locking OTP Regions

In order to permanently lock the ESN and OTP regions, individual bits at the specified addresses can be set to lock specific regions of OTP memory, as highlighted in [Figures 10.1](#) and [10.2](#).

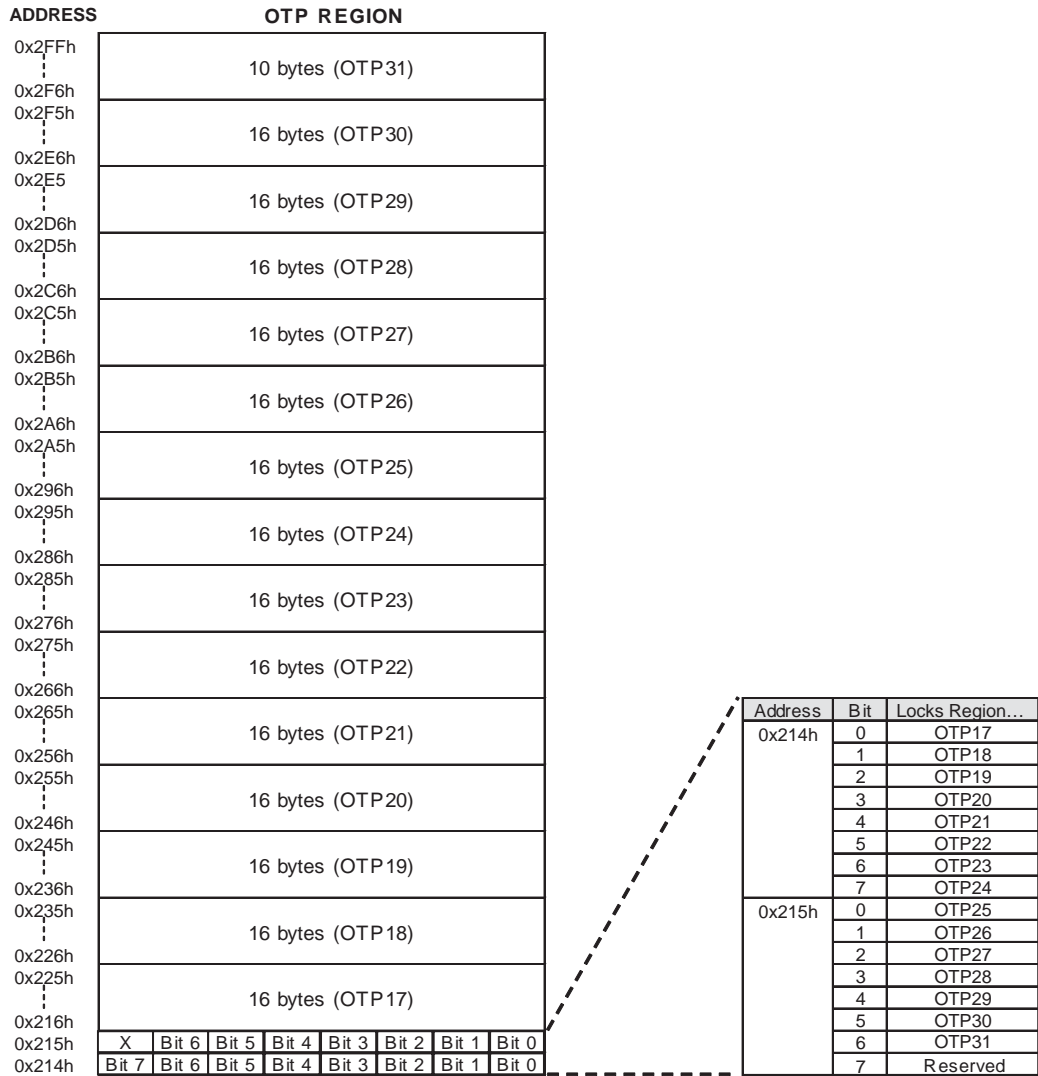
Figure 10.1 OTP Memory Map - Part 1



**Notes**

1. Bit 0 at address 0x100h locks ESN1 region.
2. Bit 1 at address 0x100h locks ESN2 region.
3. Bits 2-7 ("X") are NOT programmable and will be ignored.

Figure 10.2 OTP Memory Map - Part 2



**Note**

1. Bit 7 ("X") at address 0x215h is NOT programmable and will be ignored.

## 11. Power-up and Power-down

During power-up and power-down, certain conditions must be observed. CS# must follow the voltage applied on  $V_{CC}$ , and must not be driven low to select the device until  $V_{CC}$  reaches the allowable values as follows (see [Figure 11.1](#) and [Table 11.1 on page 54](#)):

- At power-up,  $V_{CC}$  (min.) plus a period of  $t_{PU}$
- At power-down, GND

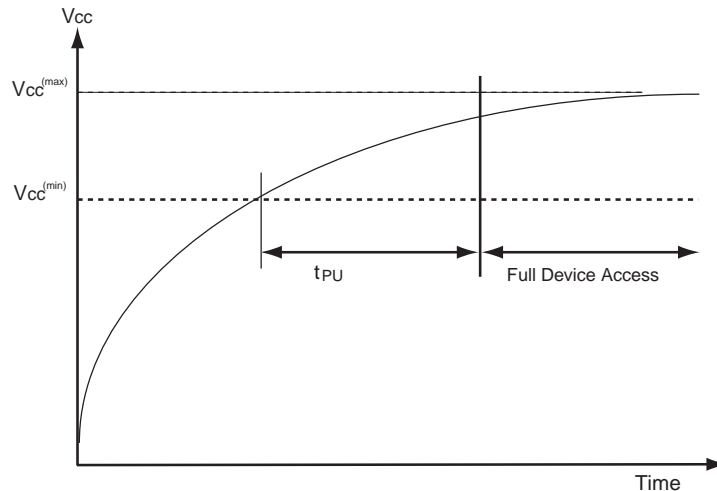
A pull-up resistor on Chip Select (CS#) typically meets proper power-up and power-down requirements.

No Read, Write Registers, program, or erase command should be sent to the device until  $V_{CC}$  rises to the  $V_{CC}$  min., plus a delay of  $t_{PU}$ . At power-up, the device is in standby mode (not Deep Power-Down mode) and the WEL bit is reset (0).

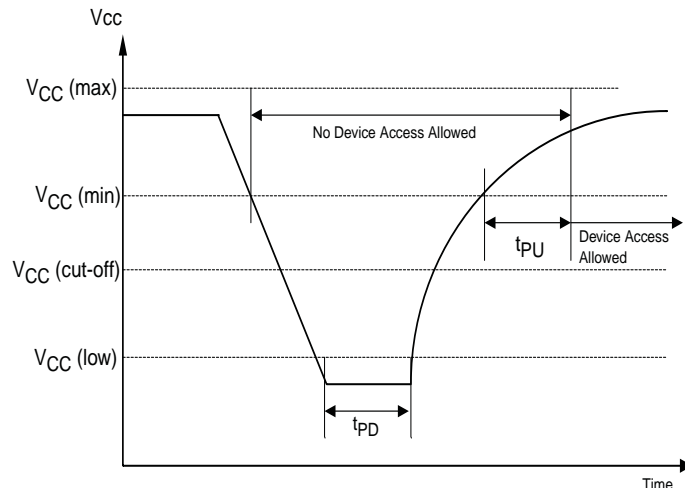
Each device in the host system should have the  $V_{CC}$  rail decoupled by a suitable capacitor close to the package pins (this capacitor is generally of the order of 0.1  $\mu\text{F}$ ), as a precaution to stabilizing the  $V_{CC}$  feed.

When  $V_{CC}$  drops from the operating voltage to below the minimum  $V_{CC}$  threshold at power-down, all operations are disabled and the device does not respond to any commands. Note that data corruption may result if a power-down occurs while a Write Registers, program, or erase operation is in progress.

**Figure 11.1** Power-Up Timing Diagram



**Figure 11.2** Power-down and Voltage Drop



**Table 11.1** Power-Up / Power-Down Voltage and Timing

Symbol	Parameter	Min	Max	Unit
$V_{CC(min)}$	$V_{CC}$ (minimum operation voltage)	2.7		V
$V_{CC(cut-off)}$	$V_{CC}$ (Cut off where re-initialization is needed)	2.4		V
$V_{CC(low)}$	$V_{CC}$ (Low voltage for initialization to occur at read/standby) $V_{CC}$ (Low voltage for initialization to occur at embedded)	0.2 2.3		V
$t_{PU}$	$V_{CC(min.)}$ to device operation		300	$\mu s$
$t_{PD}$	$V_{CC}$ (low duration time)	1.0		$\mu s$

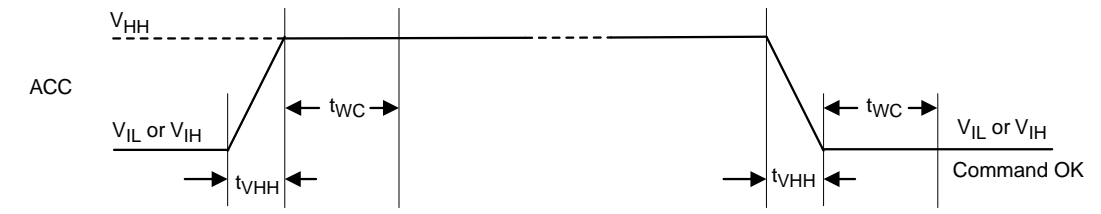
## 12. Initial Delivery State

The device is delivered with the memory array erased i.e. all bits are set to 1 (FFh) upon initial factory shipment. The Status Register and Configuration Register contains 00h (all bits are set to 0).

## 13. Program Acceleration via W#/ACC Pin

The program acceleration function requires applying  $V_{HH}$  to the W#/ACC input, and then waiting a period of  $t_{WC}$ . Minimum  $t_{VHH}$  rise and fall times is required for W#/ACC to change to  $V_{HH}$  from  $V_{IL}$  or  $V_{IH}$ . Removing  $V_{HH}$  from the W#/ACC pin returns the device to normal operation after a period of  $t_{WC}$ .

**Figure 13.1** ACC Program Acceleration Timing Requirements



**Note**

Only Read Status Register (RDSR) and Page Program (PP) operation are allow when ACC is at ( $V_{HH}$ ).  
The W#/ACC pin is disabled during Quad I/O mode.

**Table 13.1** ACC Program Acceleration Specifications

Symbol	Parameter	Min.	Max	Unit
$V_{HH}$	$A_{CC}$ Pin Voltage High	8.5	9.5	V
$t_{VHH}$	$A_{CC}$ Voltage Rise and Fall time	2.2		$\mu s$
$t_{WC}$	ACC at $V_{HH}$ and $V_{IL}$ or $V_{IH}$ to First command	5		$\mu s$

## 14. Electrical Specifications

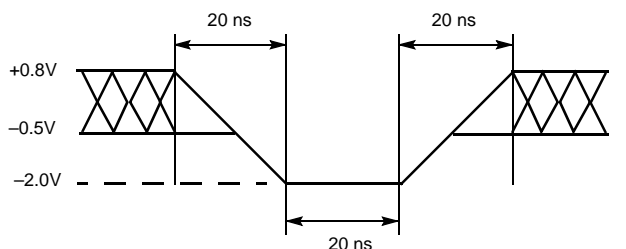
### 14.1 Absolute Maximum Ratings

Description	Rating
Ambient Storage Temperature	-65°C to +150°C
Voltage with Respect to Ground: All Inputs and I/Os	-0.5V to $V_{CC} + 0.5V$
Output Short Circuit Current (Note 2)	200 mA

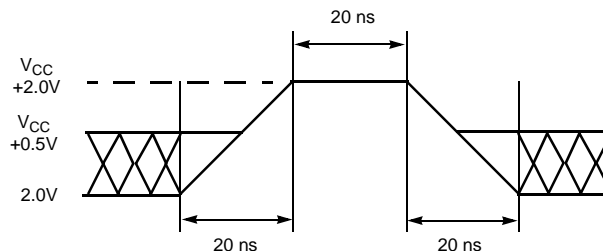
**Notes**

1. Minimum DC voltage on input or I/Os is -0.5V. During voltage transitions, inputs or I/Os may undershoot GND to -2.0V for periods of up to 20 ns. See Figure 14.1. Maximum DC voltage on input or I/Os is  $V_{CC} + 0.5V$ . During voltage transitions inputs or I/Os may overshoot to  $V_{CC} + 2.0V$  for periods up to 20 ns. See Figure 14.2.
2. No more than one output may be shorted to ground at a time. Duration of the short circuit should not be greater than one second.
3. Stresses above those listed under “Absolute Maximum Ratings” may cause permanent damage to the device. This is a stress rating only; functional operation of the device at these or any other conditions above those indicated in the operational sections of this data sheet is not implied. Exposure of the device to absolute maximum rating conditions for extended periods may affect device reliability.

**Figure 14.1** Maximum Negative Overshoot Waveform



**Figure 14.2** Maximum Positive Overshoot Waveform



## 15. Operating Ranges

**Table 15.1** Operating Ranges

Description	Rating	
Ambient Operating Temperature ( $T_A$ )	Industrial	-40°C to +85°C
	Automotive In-Cabin	-40°C to +105°C
Positive Power Supply	Voltage Range	2.7V to 3.6V

**Note**

Operating ranges define those limits between which functionality of the device is guaranteed.

## 16. DC Characteristics

This section summarizes the DC Characteristics of the device. Designers should check that the operating conditions in their circuit match the measurement conditions specified in the Test Specifications in [Table 17.1 on page 57](#), when relying on the quoted parameters.

**Table 16.1** DC Characteristics (CMOS Compatible)

Symbol	Parameter	Test Conditions	Limits			Unit
			Min.	Typ*	Max	
V <sub>CC</sub>	Supply Voltage		2.7		3.6	V
V <sub>HH</sub>	ACC Program Acceleration Voltage	V <sub>CC</sub> = 2.7V to 3.6V	8.5		9.5	V
V <sub>IL</sub>	Input Low Voltage**		-0.3		0.3 x V <sub>CC</sub>	V
V <sub>IH</sub>	Input High Voltage**		0.7 x V <sub>CC</sub>		V <sub>CC</sub> + 0.5	V
V <sub>OL</sub>	Output Low Voltage	I <sub>OL</sub> = 1.6 mA, V <sub>CC</sub> = V <sub>CC</sub> min.			0.4	V
V <sub>OH</sub>	Output High Voltage	I <sub>OH</sub> = -0.1 mA	V <sub>CC</sub> -0.6			V
I <sub>LI</sub>	Input Leakage Current	V <sub>CC</sub> = V <sub>CC</sub> Max, V <sub>IN</sub> = V <sub>CC</sub> or GND			±2	µA
I <sub>LO</sub>	Output Leakage Current	V <sub>CC</sub> = V <sub>CC</sub> Max, V <sub>IN</sub> = V <sub>CC</sub> or GND			±2	µA
I <sub>CC1</sub>	Active Power Supply Current - READ (SO = Open)	At 80 MHz (Dual or Quad)			38	mA
		At 104 MHz (Serial)			25	
		At 40 MHz (Serial)			12	
I <sub>CC2</sub>	Active Power Supply Current (Page Program)	CS# = V <sub>CC</sub>			26	mA
I <sub>CC3</sub>	Active Power Supply Current (WRR)	CS# = V <sub>CC</sub>			15	mA
I <sub>CC4</sub>	Active Power Supply Current (SE)	CS# = V <sub>CC</sub>			26	mA
I <sub>CC5</sub>	Active Power Supply Current (BE)	CS# = V <sub>CC</sub>			26	mA
I <sub>SB1</sub>	Standby Current	CS# = V <sub>CC</sub> ; SO + V <sub>IN</sub> = GND or V <sub>CC</sub>		80	200	µA
I <sub>PD</sub>	Deep Power-down Current	CS# = V <sub>CC</sub> ; SO + V <sub>IN</sub> = GND or V <sub>CC</sub>		3	10	µA

\*Typical values are at T<sub>AI</sub> = 25°C and V<sub>CC</sub> = 3V



## 17. Test Conditions

Figure 17.1 AC Measurements I/O Waveform

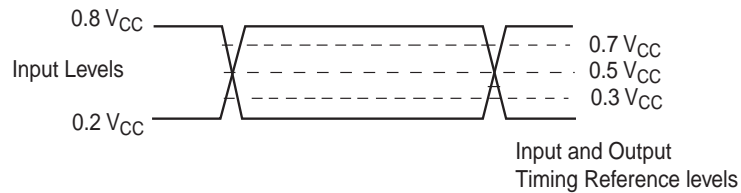


Table 17.1 Test Specifications

Symbol	Parameter	Min	Max	Unit
$C_L$	Load Capacitance	30		pF
	Input Rise and Fall Times	5		ns
	Input Pulse Voltage	0.2 $V_{CC}$ to 0.8 $V_{CC}$		V
	Input Timing Reference Voltage	0.3 $V_{CC}$ to 0.7 $V_{CC}$		V
	Output Timing Reference Voltage	0.5 $V_{CC}$		V

## 18. AC Characteristics

Figure 18.1 AC Characteristics (Sheet 1 of 2)

Symbol (Notes)	Parameter (Notes)	Min. (Notes)	Typ (Notes)	Max (Notes)	Unit
$f_R$	SCK Clock Frequency for READ command	DC		40	MHz
	SCK Clock Frequency for RDID command	DC		50	
$f_C$	SCK Clock Frequency for all others: FAST_READ, PP, QPP, P4E, P8E, SE, BE, DP, RES, WREN, WRDI, RDSR, WRR, READ_ID	DC		104 (Serial) 80 (dual/quad)	MHz
$t_{WH}, t_{CH}$	Clock High Time (5)	4.5			ns
$t_{WL}, t_{CL}$	Clock Low Time (5)	4.5			ns
$t_{CRT}, t_{CLCH}$	Clock Rise Time (slew rate)	0.1			V/ns
$t_{CFT}, t_{CHCL}$	Clock Fall Time (slew rate)	0.1			V/ns
$t_{CS}$	CS# High Time (Read Instructions)	10			ns
	CS# High Time (Program/Erase)	50			
$t_{CSS}$	CS# Active Setup Time (relative to SCK)	3			ns
$t_{CSH}$	CS# Active Hold Time (relative to SCK)	3			ns
$t_{SU:DAT}$	Data in Setup Time	3			ns
$t_{HD:DAT}$	Data in Hold Time	2			ns
$t_V$	Clock Low to Output Valid	0		8 (Serial) $\Delta$ 9.5 (Dual/Quad) $\Delta$ 6.5 (Serial) $\infty$ 8 (Dual/Quad) $\infty$ 7 (Dual/Quad) $\Omega$	ns
$t_{HO}$	Output Hold Time	2			ns
$t_{DIS}$	Output Disable Time			8	ns
$t_{HLCH}$	HOLD# Active Setup Time (relative to SCK)	3			ns
$t_{CHHH}$	HOLD# Active Hold Time (relative to SCK)	3			ns
$t_{HHCH}$	HOLD# Non Active Setup Time (relative to SCK)	3			ns

Figure 18.1 AC Characteristics (Sheet 2 of 2)

Symbol (Notes)	Parameter (Notes)	Min. (Notes)	Typ (Notes)	Max (Notes)	Unit
$t_{CHHL}$	HOLD# Non Active Hold Time (relative to SCK)	3			ns
$t_{HZ}$	HOLD# enable to Output Invalid			8	ns
$t_{LZ}$	HOLD# disable to Output Valid			8	ns
$t_{WPS}$	W#/ACC Setup Time (4)	20			ns
$t_{WPH}$	W#/ACC Hold Time (4)	100			ns
$t_W$	WRR Cycle Time			50	ms
$t_{PP}$	Page Programming (1)(2)		1.5	3	ms
$t_{EP}$	Page Programming (ACC = 9V) (1)(2)(3)		1.2	2.4	ms
$t_{SE}$	Sector Erase Time (64 KB) (1)(2)		0.5	2	sec
$t_{PE}$	Parameter Sector Erase Time (1)(2) (4 KB or 8 KB)		200	800	ms
$t_{BE}$	Bulk Erase Time (1)(2)		32	64	sec
$t_{RES}$	Deep Power-down to Standby Mode			30	$\mu$ s
$t_{DP}$	Time to enter Deep Power-down Mode			10	$\mu$ s
$t_{VHH}$	ACC Voltage Rise and Fall time	2.2			$\mu$ s
$t_{WC}$	ACC at VHH and VIL or VIH to first command	5			$\mu$ s

**Notes**

1. Typical program and erase times assume the following conditions: 25°C, VCC = 3.0V; 10,000 cycles; checkerboard data pattern.
2. Under worst-case conditions of 85°C; VCC = 2.7V; 100,000 cycles.
3. Acceleration mode (9V ACC) only in Program mode, not Erase.
4. Only applicable as a constraint for WRR instruction when SRWD is set to a '1'.
5.  $t_{WH} + t_{WL}$  must be less than or equal to  $1/f_C$ .
6.  $\Delta$  Full Vcc range (2.7 – 3.6V) & CL = 30 pF
7.  $\infty$  Regulated Vcc range (3.0 – 3.6V) & CL = 30 pF
8.  $\Omega$  Regulated Vcc range (3.0 – 3.6V) & CL = 15 pF

## 18.1 Capacitance

Symbol	Parameter	Test Conditions	Min	Typ	Max	Unit
$C_{IN}$	Input Capacitance (applies to SCK, PO7-PO0, SI, CS#)	$V_{OUT} = 0V$		9.0	12.0	pF
$C_{OUT}$	Output Capacitance (applies to PO7-PO0, SO)	$V_{IN} = 0V$		12.0	16.0	pF

**Notes**

1. Sampled, not 100% tested.
2. Test conditions  $T_A = 25^\circ C$ ,  $f = 1.0$  MHz.
3. For more information on pin capacitance, please consult the IBIS models.

Figure 18.2 SPI Mode 0 (0,0) Input Timing

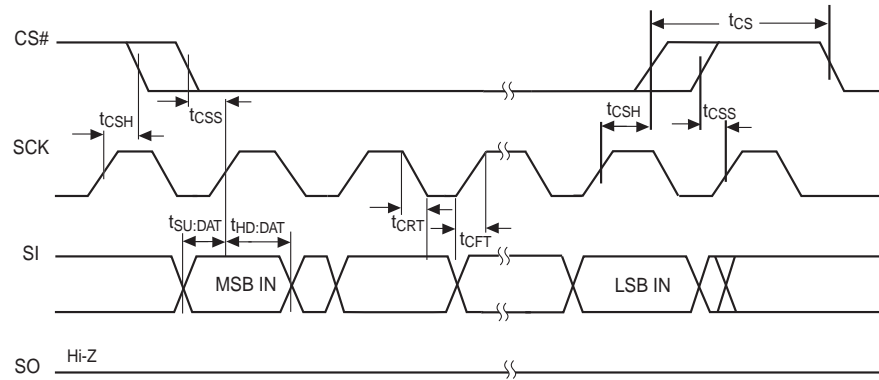


Figure 18.3 SPI Mode 0 (0,0) Output Timing

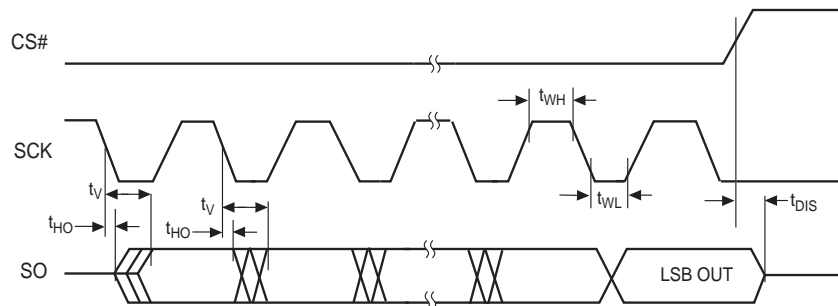
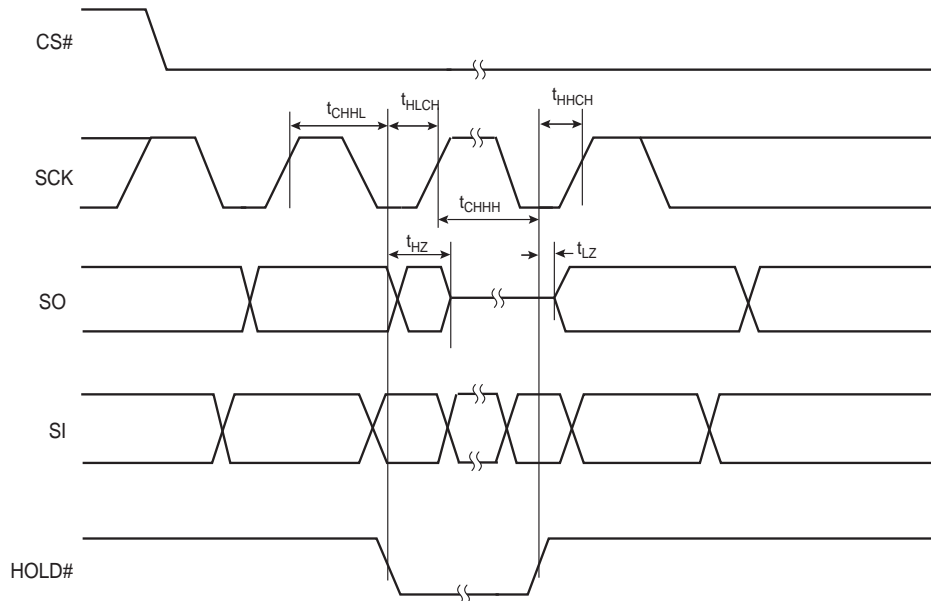
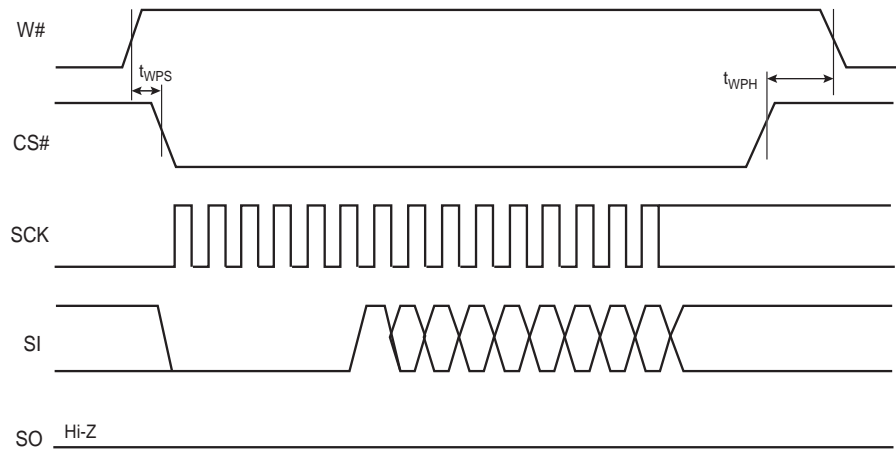


Figure 18.4 HOLD# Timing

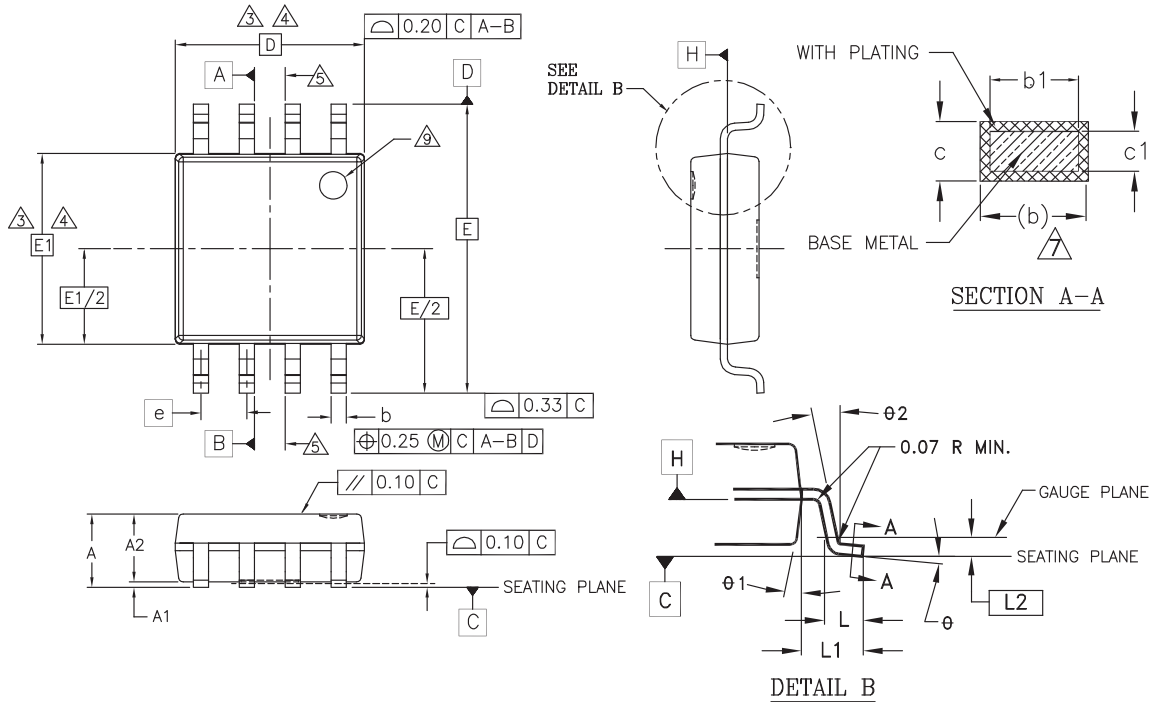


**Figure 18.5** Write Protect Setup and Hold Timing during WRR when SRWD = 1



# 19. Physical Dimensions

## 19.1 SOC008 wide — 8-pin Plastic Small Outline Package (208-mils Body Width)



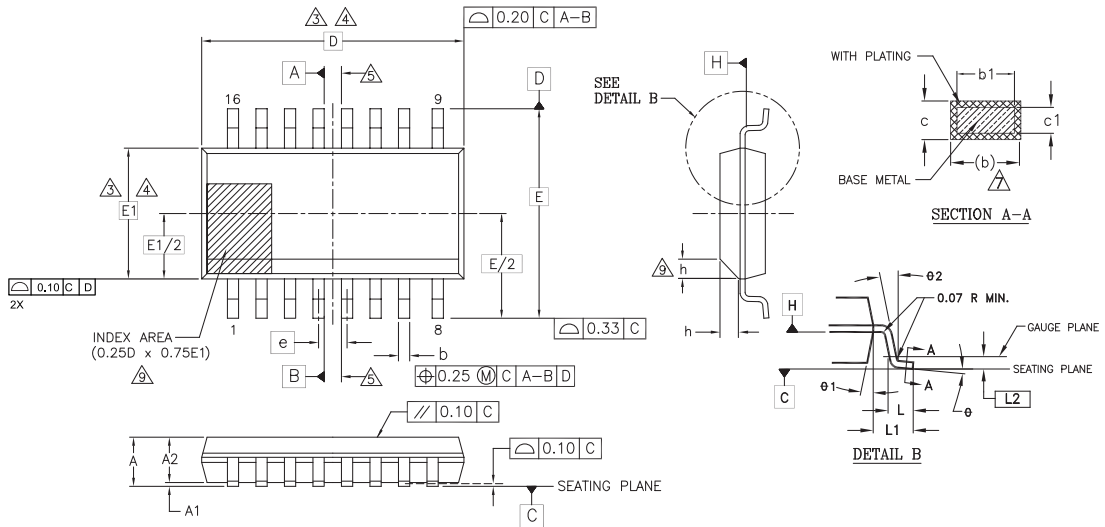
PACKAGE	SOC 008 (inches)		SOC 008 (mm)	
JEDEC				
SYMBOL	MIN	MAX	MIN	MAX
A	0.069	0.085	1.753	2.159
A1	0.002	0.0098	0.051	0.249
A2	0.067	0.075	1.70	1.91
b	0.014	0.019	0.356	0.483
b1	0.013	0.018	0.330	0.457
c	0.0075	0.0095	0.191	0.241
c1	0.006	0.008	0.152	0.203
D	0.208 BSC		5.283 BSC	
E	0.315 BSC		8.001 BSC	
E1	0.208 BSC		5.283 BSC	
e	.050 BSC		1.27 BSC	
L	0.020	0.030	0.508	0.762
L1	.049 REF		1.25 REF	
L2	.010 BSC		0.25 BSC	
N	8		8	
θ	0°	8°	0°	8°
θ1	5°	15°	5°	15°
θ2	0°		0°	

NOTES:

- ALL DIMENSIONS ARE IN BOTH INCHES AND MILLIMETERS.
- DIMENSIONING AND TOLERANCING PER ASME Y14.5M - 1994.
- DIMENSION D DOES NOT INCLUDE MOLD FLASH, PROTRUSIONS OR GATE BURRS. MOLD FLASH, PROTRUSIONS OR GATE BURRS SHALL NOT EXCEED 0.15 mm PER END. DIMENSION E1 DOES NOT INCLUDE INTERLEAD FLASH OR PROTRUSION INTERLEAD FLASH OR PROTRUSION SHALL NOT EXCEED 0.25 mm PER SIDE. D AND E1 DIMENSIONS ARE DETERMINED AT DATUM H.
- THE PACKAGE TOP MAY BE SMALLER THAN THE PACKAGE BOTTOM. DIMENSIONS D AND E1 ARE DETERMINED AT THE OUTMOST EXTREMES OF THE PLASTIC BODY EXCLUSIVE OF MOLD FLASH, TIE BAR BURRS, GATE BURRS AND INTERLEAD FLASH. BUT INCLUDING ANY MISMATCH BETWEEN THE TOP AND BOTTOM OF THE PLASTIC BODY.
- DATUMS A AND B TO BE DETERMINED AT DATUM H.
- "N" IS THE MAXIMUM NUMBER OF TERMINAL POSITIONS FOR THE SPECIFIED PACKAGE LENGTH.
- THE DIMENSIONS APPLY TO THE FLAT SECTION OF THE LEAD BETWEEN 0.10 TO 0.25 mm FROM THE LEAD TIP.
- DIMENSION "b" DOES NOT INCLUDE DAMBAR PROTRUSION. ALLOWABLE DAMBAR PROTRUSION SHALL BE 0.10 mm TOTAL IN EXCESS OF THE "b" DIMENSION AT MAXIMUM MATERIAL CONDITION. THE DAMBAR CANNOT BE LOCATED ON THE LOWER RADIUS OF THE LEAD FOOT.
- THIS CHAMFER FEATURE IS OPTIONAL. IF IT IS NOT PRESENT, THEN A PIN 1 IDENTIFIER MUST BE LOCATED WITHIN THE INDEX AREA INDICATED.
- LEAD COPLANARITY SHALL BE WITHIN 0.10 mm AS MEASURED FROM THE SEATING PLANE.

3602 \ 16-038.03 \ 9.1.6

## 19.2 SO3 016 — 16-pin Wide Plastic Small Outline Package (300-mil Body Width)



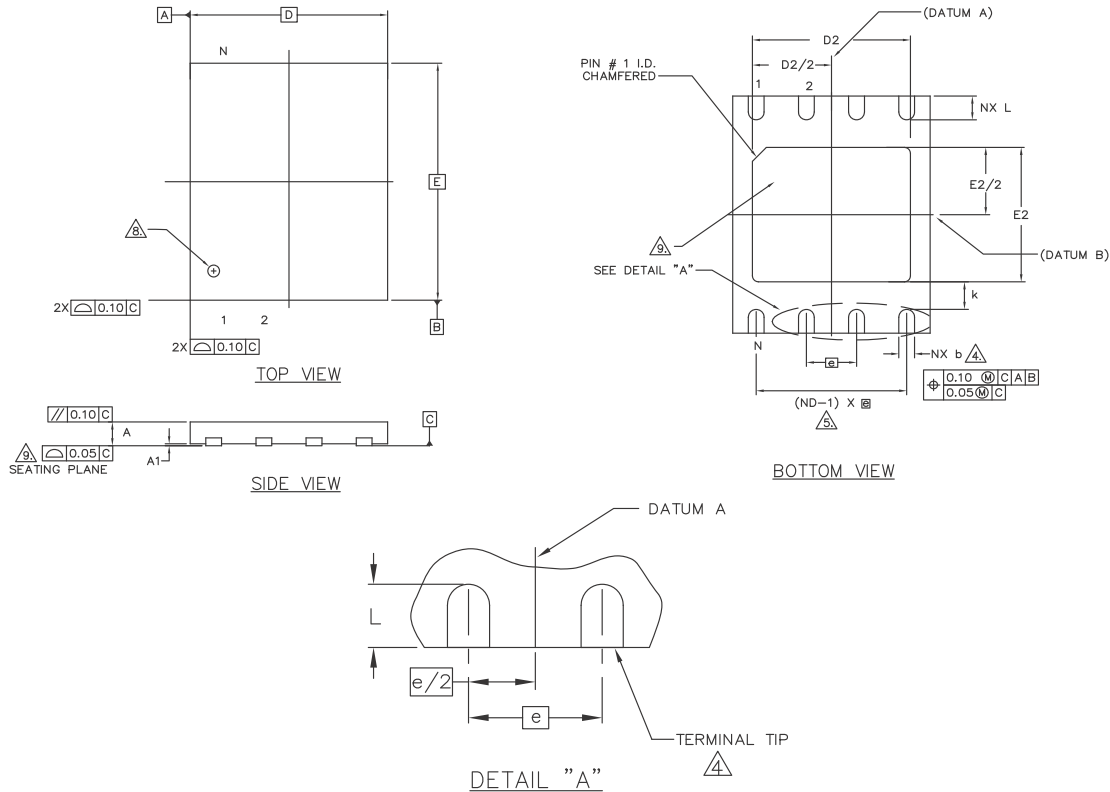
PACKAGE	SO3 016 (inches)		SO3 016 (mm)	
JEDEC	MS-013(E)AA		MS-013(E)AA	
SYMBOL	MIN	MAX	MIN	MAX
A	0.093	0.104	2.35	2.65
A1	0.004	0.012	0.10	0.30
A2	0.081	0.104	2.05	2.55
b	0.012	0.020	0.31	0.51
b1	0.011	0.019	0.27	0.48
c	0.008	0.013	0.20	0.33
c1	0.008	0.012	0.20	0.30
D	0.406 BSC		10.30 BSC	
E	0.406 BSC		10.30 BSC	
E1	0.295 BSC		7.50 BSC	
e	0.050 BSC		1.27 BSC	
L	0.016	0.050	0.40	1.27
L1	0.055 REF		1.40 REF	
L2	0.010 BSC		0.25 BSC	
N	16		16	
h	0.10	0.30	0.25	0.75
$\theta$	0°	8°	0°	8°
$\theta_1$	5°	15°	5°	15°
$\theta_2$	0°	--	0°	--

NOTES:

- ALL DIMENSIONS ARE IN BOTH INCHES AND MILLIMETERS.
- DIMENSIONING AND TOLERANCING PER ASME Y14.5M - 1994.
- $\triangle 3.$  DIMENSION D DOES NOT INCLUDE MOLD FLASH, PROTRUSIONS OR GATE BURRS. MOLD FLASH, PROTRUSIONS OR GATE BURRS SHALL NOT EXCEED 0.15 mm PER END. DIMENSION E1 DOES NOT INCLUDE INTERLEAD FLASH OR PROTRUSION INTERLEAD FLASH OR PROTRUSION SHALL NOT EXCEED 0.25 mm PER SIDE. D AND E1 DIMENSIONS ARE DETERMINED AT DATUM H.
- $\triangle 4.$  THE PACKAGE TOP MAY BE SMALLER THAN THE PACKAGE BOTTOM. DIMENSIONS D AND E1 ARE DETERMINED AT THE OUTMOST EXTREMES OF THE PLASTIC BODY EXCLUSIVE OF MOLD FLASH, TIE BAR BURRS, GATE BURRS AND INTERLEAD FLASH. BUT INCLUDING ANY MISMATCH BETWEEN THE TOP AND BOTTOM OF THE PLASTIC BODY.
- $\triangle 5.$  DATUMS A AND B TO BE DETERMINED AT DATUM H.
- "N" IS THE MAXIMUM NUMBER OF TERMINAL POSITIONS FOR THE SPECIFIED PACKAGE LENGTH.
- $\triangle 7.$  THE DIMENSIONS APPLY TO THE FLAT SECTION OF THE LEAD BETWEEN 0.10 TO 0.25 mm FROM THE LEAD TIP.
- $\triangle 8.$  DIMENSION "b" DOES NOT INCLUDE DAMBAR PROTRUSION. ALLOWABLE DAMBAR PROTRUSION SHALL BE 0.10 mm TOTAL IN EXCESS OF THE "b" DIMENSION AT MAXIMUM MATERIAL CONDITION. THE DAMBAR CANNOT BE LOCATED ON THE LOWER RADIUS OF THE LEAD FOOT.
- $\triangle 9.$  THIS CHAMFER FEATURE IS OPTIONAL. IF IT IS NOT PRESENT, THEN A PIN 1 IDENTIFIER MUST BE LOCATED WITHIN THE INDEX AREA INDICATED.
- LEAD COPLANARITY SHALL BE WITHIN 0.10 mm AS MEASURED FROM THE SEATING PLANE.

g1011r2 116-038.3 14.1.11

### 19.3 UNE008 — USON 8-contact (5 x 6 mm) No-Lead Package



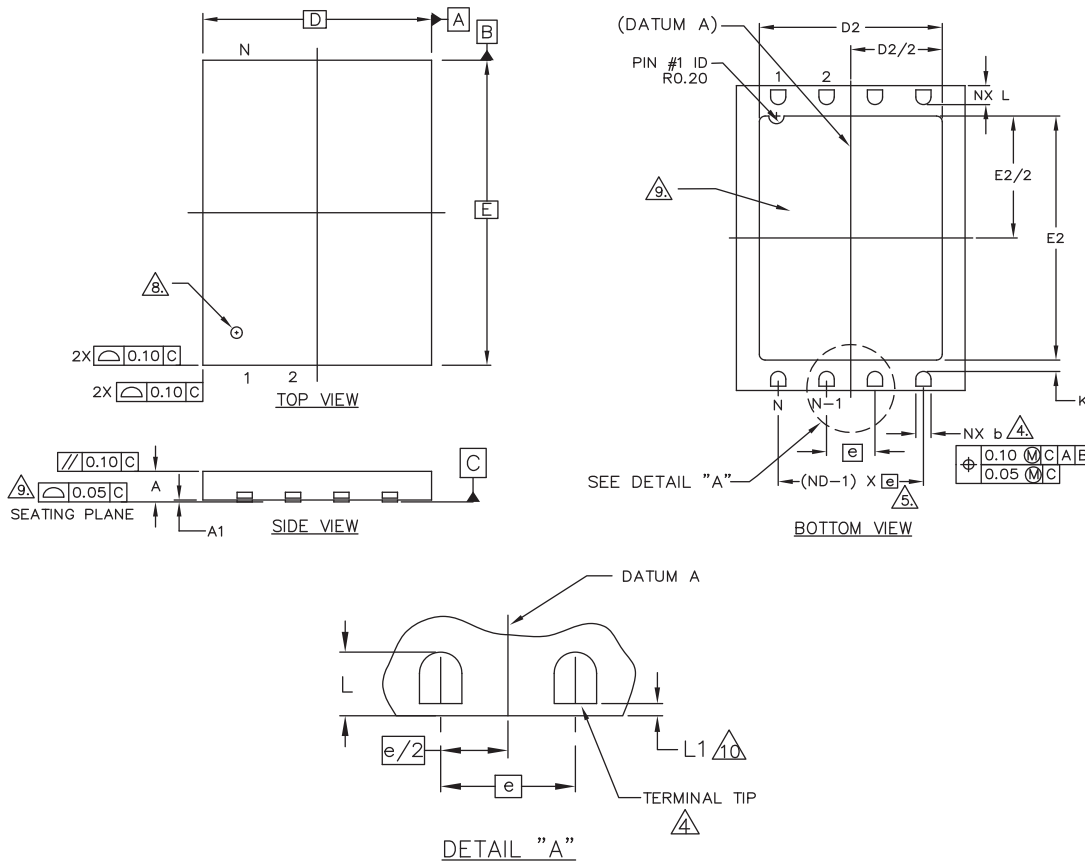
NOTES:

1. DIMENSIONING AND TOLERANCING CONFORMS TO ASME Y14.5M - 1994.
2. ALL DIMENSIONS ARE IN MILLIMETERS.
3. N IS THE TOTAL NUMBER OF TERMINALS.
4. DIMENSION "b" APPLIES TO METALLIZED TERMINAL AND IS MEASURED BETWEEN 0.15 AND 0.30mm FROM TERMINAL TIP. IF THE TERMINAL HAS THE OPTIONAL RADIUS ON THE OTHER END OF THE TERMINAL, THE DIMENSION "b" SHOULD NOT BE MEASURED IN THAT RADIUS AREA.
5. ND REFER TO THE NUMBER OF TERMINALS ON D SIDE.
6. MAX. PACKAGE WARPAGE IS 0.05mm.
7. MAXIMUM ALLOWABLE BURRS IS 0.076mm IN ALL DIRECTIONS.
8. PIN #1 ID ON TOP WILL BE LASER MARKED.
9. BILATERAL COPLANARITY ZONE APPLIES TO THE EXPOSED HEAT SINK SLUG AS WELL AS THE TERMINALS.

PACKAGE	UNE008			
SYMBOL	MIN	NOM	MAX	NOTE
e	1.27 BSC.			
N	8			3
ND	4			5
L	0.55	0.60	0.65	
b	0.35	0.40	0.45	4
D2	3.90	4.00	4.10	
E2	3.30	3.40	3.50	
D	5.00 BSC			
E	6.00 BSC			
A	0.45	0.50	0.55	
A1	0.00	0.02	0.05	
K	0.20 MIN.			

g1017 \ 16-038.30 \ 07.21.11

### 19.4 WNF008 — WSON 8-contact (6 x 8 mm) No-Lead Package



NOTES:

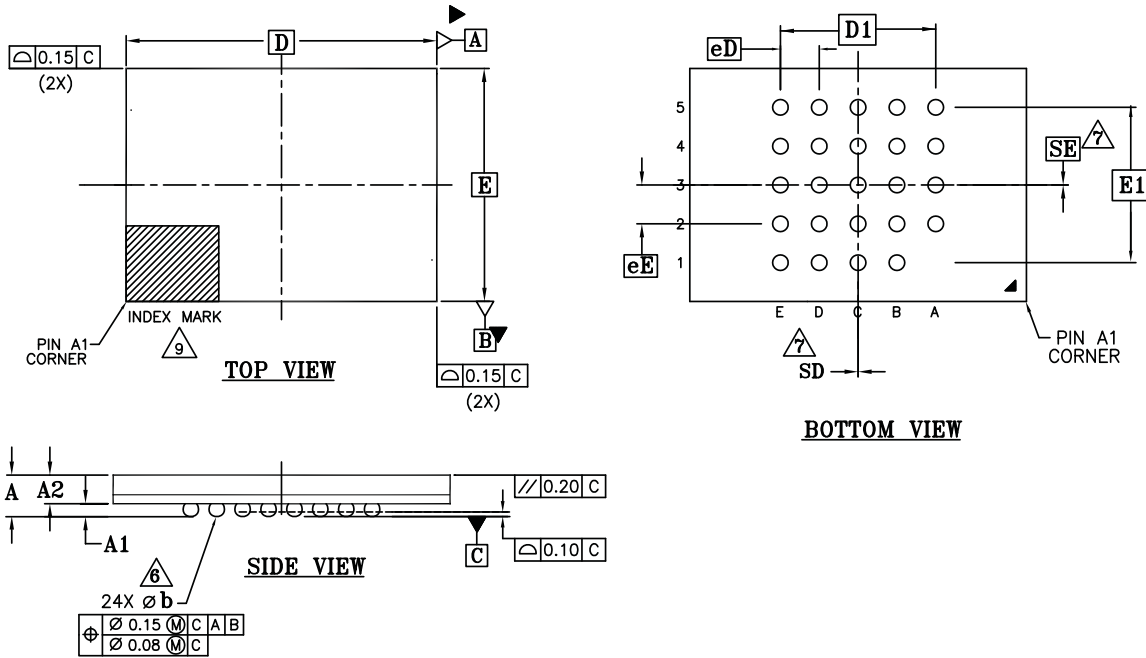
1. DIMENSIONING AND TOLERANCING CONFORMS TO ASME Y14.5M - 1994.
2. ALL DIMENSIONS ARE IN MILLIMETERS.
3. N IS THE TOTAL NUMBER OF TERMINALS.
4. DIMENSION "b" APPLIES TO METALLIZED TERMINAL AND IS MEASURED BETWEEN 0.15 AND 0.30mm FROM TERMINAL TIP. IF THE TERMINAL HAS THE OPTIONAL RADIUS ON THE OTHER END OF THE TERMINAL, THE DIMENSION "b" SHOULD NOT BE MEASURED IN THAT RADIUS AREA.
5. ND REFER TO THE NUMBER OF TERMINALS ON D SIDE.
6. MAX. PACKAGE WARPAGE IS 0.05mm.
7. MAXIMUM ALLOWABLE BURRS IS 0.076mm IN ALL DIRECTIONS.
8. PIN #1 ID ON TOP WILL BE LASER MARKED.
9. BILATERAL COPLANARITY ZONE APPLIES TO THE EXPOSED HEAT SINK SLUG AS WELL AS THE TERMINALS.
10. A MAXIMUM 0.15mm PULL BACK (L1) MAY BE PRESENT.

PACKAGE	WNF008			
SYMBOL	MIN	NOM	MAX	NOTE
e	1.27 BSC.			
N	8			3
ND	4			5
L	0.45	0.50	0.55	
b	0.35	0.40	0.45	4
D2	4.70	4.80	4.90	
E2	5.70	5.80	5.90	
D	6.00 BSC			
E	8.00 BSC			
A	0.70	0.75	0.80	
A1	0.00	0.02	0.05	
K	0.20 MIN.			
L1	0.00	---	0.15	10

g1015 \ 16-038.30 \ 07.21.11



### 19.5 FAB024 — 24-ball Ball Grid Array (6 x 8 mm) Package



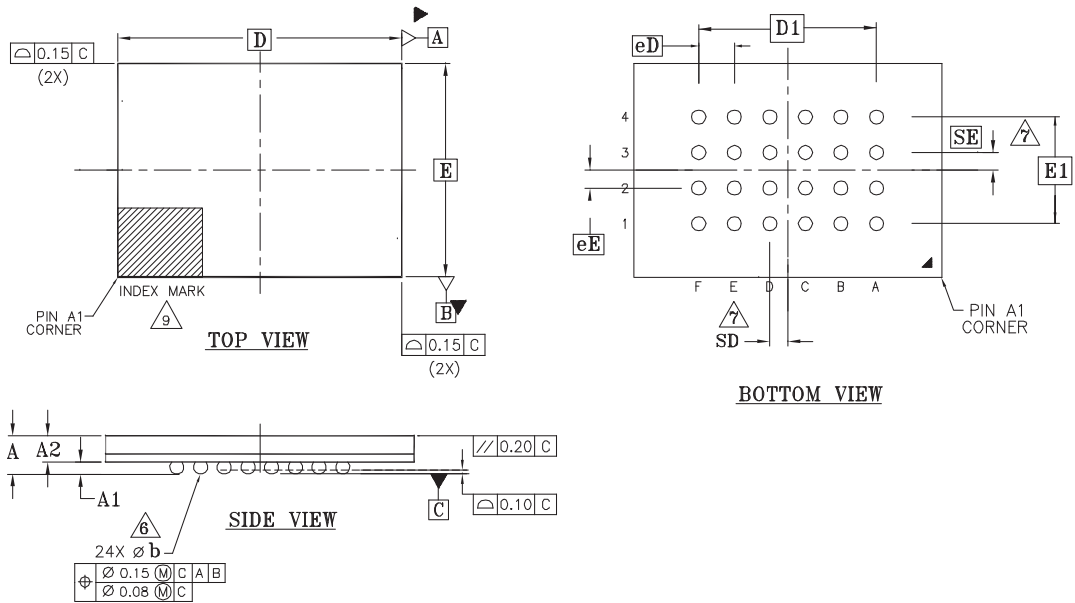
**NOTES:**

1. DIMENSIONING AND TOLERANCING METHODS PER ASME Y14.5M-1994.
2. ALL DIMENSIONS ARE IN MILLIMETERS.
3. BALL POSITION DESIGNATION PER JEP95, SECTION 4.3, SPP-010.
4. [e] REPRESENTS THE SOLDER BALL GRID PITCH.
5. SYMBOL "MD" IS THE BALL MATRIX SIZE IN THE "D" DIRECTION. SYMBOL "ME" IS THE BALL MATRIX SIZE IN THE "E" DIRECTION. n IS THE NUMBER OF POPULATED SOLDER BALL POSITIONS FOR MATRIX SIZE MD X ME.
6. DIMENSION "b" IS MEASURED AT THE MAXIMUM BALL DIAMETER IN A PLANE PARALLEL TO DATUM C.
7. SD AND SE ARE MEASURED WITH RESPECT TO DATUMS A AND B AND DEFINE THE POSITION OF THE CENTER SOLDER BALL IN THE OUTER ROW.  
 WHEN THERE IS AN ODD NUMBER OF SOLDER BALLS IN THE OUTER ROW SD OR SE = 0.000.  
 WHEN THERE IS AN EVEN NUMBER OF SOLDER BALLS IN THE OUTER ROW, SD OR SE =  $\frac{e}{2}$
8. "+" INDICATES THE THEORETICAL CENTER OF DEPOPULATED BALLS.
9. A1 CORNER TO BE IDENTIFIED BY CHAMFER, LASER OR INK MARK, METALLIZED MARK INDENTATION OR OTHER MEANS.

PACKAGE	FAB024			
JEDEC	N/A			
SYMBOL	MIN.	NOM.	MAX.	NOTE
A	-	-	1.20	OVERALL THICKNESS
A1	0.20	-	-	BALL HEIGHT
A2	0.70	-	0.90	BODY THICKNESS
D	8.00 BSC.			BODY SIZE
E	6.00 BSC.			BODY SIZE
D1	4.00 BSC.			BALL FOOTPRINT
E1	4.00 BSC.			BALL FOOTPRINT
MD	5			ROW MATRIX SIZE D DIRECTION
ME	5			ROW MATRIX SIZE E DIRECTION
N	24			TOTAL BALL COUNT
øb	0.35	0.40	0.45	BALL DIAMETER
e	1.00 BSC.			BALL PITCH
SD/SE	0.00			SOLDER BALL PLACEMENT
	A1			DEPOPULATED SOLDER BALLS
	I			PACKAGE OUTLINE TYPE

4002/F16-038 Rev.A /6.04.09

### 19.6 FAC024 — 24-ball Ball Grid Array (6 x 8 mm) Package



PACKAGE	FAC024			NOTE
JEDEC	N/A			
D x E	8.00 mm x 6.00 mm NOM PACKAGE			
SYMBOL	MIN	NOM	MAX	
A	---	---	1.20	PROFILE
A1	0.25	---	---	BALL HEIGHT
A2	0.70	---	0.90	BODY THICKNESS
D	8.00 BSC.			BODY SIZE
E	6.00 BSC.			BODY SIZE
D1	5.00 BSC.			MATRIX FOOTPRINT
E1	3.00 BSC.			MATRIX FOOTPRINT
MD	6			MATRIX SIZE D DIRECTION
ME	4			MATRIX SIZE E DIRECTION
N	24			BALL COUNT
Øb	0.35	0.40	0.45	BALL DIAMETER
e	1.00 BSC.			BALL PITCH-L
SD/ SE	0.5/0.5			SOLDER BALL PLACEMENT
				DEPOPULATED SOLDER BALLS
	J			PACKAGE OUTLINE TYPE

**NOTES**

- DIMENSIONING AND TOLERANCING METHODS PER ASMEY14.5M-1994.
- ALL DIMENSIONS ARE IN MILLIMETERS.
- BALL POSITION DESIGNATION PER JEP95, SECTION 4.3, SFP-010.
- [e] REPRESENTS THE SOLDER BALL GRID PITCH.
- SYMBOL "MD" IS THE BALL MATRIX SIZE IN THE "D" DIRECTION.  
SYMBOL "ME" IS THE BALL MATRIX SIZE IN THE "E" DIRECTION.  
n IS THE NUMBER OF POPULATED SOLDER BALL POSITIONS FOR MATRIX SIZE MD X ME.
- DIMENSION "b" IS MEASURED AT THE MAXIMUM BALL DIAMETER IN A PLANE PARALLEL TO DATUM C.  
DATUM C IS THE SEATING PLANE AND IS DEFINED BY THE CROWNS OF THE SOLDER BALLS.
- SD AND SE ARE MEASURED WITH RESPECT TO DATUMS A AND B AND DEFINE THE POSITION OF THE CENTER SOLDER BALL IN THE OUTER ROW.  
WHEN THERE IS AN ODD NUMBER OF SOLDER BALLS IN THE OUTER ROW SD OR SE = 0.000.  
WHEN THERE IS AN EVEN NUMBER OF SOLDER BALLS IN THE OUTER ROW, SD OR SE = e/2
- "+" INDICATES THE THEORETICAL CENTER OF DEPOPULATED BALLS
- A1 CORNER TO BE IDENTIFIED BY CHAMFER, LASER OR INK MARK, METALLIZED MARK, INDENTATION OR OTHER MEANS
- OUTLINE AND DIMENSIONS PER CUSTOMER REQUIREMENT.

3642 F16-038.91 03.10.09

## 20. Revision History

Section	Description
<b>Revision 01 (June 9, 2008)</b>	
	Initial release
<b>Revision 02 (February 12, 2009)</b>	
Connection Diagrams	Added USON package
Valid Combinations Table	Added Tray packing type
Configuration Register	Added OTP description for BPNV bit
Configuration Register Table	Corrected TBPARAM description Added "Default" setting information upon initial factory shipment
Instruction Set	Separated Mode bit and Dummy bytes
Product Group CFI Primary Vendor-Specific Extended Query	Corrected data of 45h bytes
Read-ID (READ_ID)	Removed statement of 8-cycle buffer for Manufacturer ID and the Device ID
Read Status Register	Corrected description for SRWD bit in the Status Register Table Modified E_ERR and P_ERR descriptions
Read Configuration Register	Updated figure
Parameter Sector Erase (P4E, P8E)	Updated figure
Release from Deep Power-Down and Read Electronic Signature (RES)	Updated figure
OTP Regions	Modified description for the ACC function
Power-up and Power-down	Changed specification for $t_{PU}$
Absolute Maximum Ratings	Corrected the Table
DC Characteristics	Changed maximum specifications for $I_{CC1}$ and $I_{CC3}$ Modified Test Conditions for $I_{SB1}$ and $I_{PD}$
AC Characteristics	Changed maximum specifications for $t_W$ Added note for max values assume 100k cycles Changed Clock High/Low time
<b>Revision 03 (May 26, 2009)</b>	
Connection Diagrams	Corrected package name
Dual Output Read Mode (DOR)	Added statement for Dual Output Read command
Quad Output Read Mode (QOR)	Added statement for Quad Output Read command
Power Up & Power Down	Updated $V_{CC}(\text{low})$ Min in Table: Power-Up / Power-Down Voltage and Timing
AC Characteristics	Updated $t_{WH}$ , $t_{CH}$ and $t_{WL}$ , $t_{CL}$
Revision History	Corrected "Revision 02 (February 12, 2009)" for <i>AC Characteristics</i>
<b>Revision 04 (July 22, 2009)</b>	
Distinctive Characteristics	Added BGA package information
Connection Diagrams	Added BGA package
Ordering Information	Added Automotive In-cabin information Added BGA package information
Valid Combinations	Corrected Valid Combinations Table
Configuration Register	Added Suggested Cross Settings Table
Accelerated Programming Operation	Added note for ACC function
Read Identification (RDID)	Updated Read Identification description Updated figure for RDID Updated CFI table for 29h
Write Registers (WRR)	Added note for HPM
Parameter Sector Erase (P4E, P8E)	Updated description for P4E/P8E command
Sector Erase (SE)	Updated description for SE command

Section	Description
Release from Deep Power-Down (RES)	Added note for RES command
OTP Regions	Updated descriptions Added ESN1 and ESN2 Table
Operating Ranges	Added Automotive In-cabin temperature range
AC Characteristics	Added Automotive In-cabin spec for $f_C$ Updated $t_{WH}$ , $t_{CH}$ and $t_{WL}$ , $t_{CL}$
Physical Dimensions	Added BGA 6 x 8 mm package
<b>Revision 05 (October 5, 2009)</b>	
Global	Changed all references to RDID clock rate from 40 to 50 MHz
Connection Diagrams	Added "5 x 5 pin configuration" to Figure 2.5 title Added 6 x 4 pin configuration BGA connection diagram Added note regarding exposed central pad on bottom of package to the WSON and USON connection diagram
Ordering Information	Added Automotive In-Cabin temperature valid combinations for BGA packages Added 02 and 03 model numbers for BGA packages Removed BGA from 00 model number description Added Low-Halogen material option
Valid Combinations	Changed valid BGA model number combinations to 02 and 03 Changed valid BGA material option to Low-Halogen Removed Note 1
Physical Dimensions	Added FAC024 BGA package
AC Characteristics	Removed 76 MHz Automotive in-cabin spec from $f_C$ and Note 9
<b>Revision 06 (December 7, 2011)</b>	
Instruction Set Table	Updated QIOR command
Power-Up / Power-Down Voltage and Timing Table	Updated $t_{PU}$ (max)
Initial Delivery State	Modified section
Capacitance	Added notes to table
Physical Dimensions	Updated the package outline drawing for SOIC, WSON, USON, and BGA 5x5 packages.
<b>Revision 07 (September 21, 2012)</b>	
AC Characteristics	Changed Output Hold Time ( $t_{HO}$ ) to 2 ns (min)
<b>Revision 08 (October 30, 2012)</b>	
Command Definitions	Instruction Set table: Corrected the value of CLSR command
Write Registers (WRR)	Protection Modes table: Added Parameter Sector Erase to Memory Content columns for clarification
Parameter Sector Erase (P4E, P8E)	Updated the table reference
<b>Revision 09 (January 29, 2013)</b>	
Capacitance	Added "Typical" values column Corrected "Max" values for $C_{IN}$ / $C_{OUT}$ (Input / Output Capacitance)

**Colophon**

The products described in this document are designed, developed and manufactured as contemplated for general use, including without limitation, ordinary industrial use, general office use, personal use, and household use, but are not designed, developed and manufactured as contemplated (1) for any use that includes fatal risks or dangers that, unless extremely high safety is secured, could have a serious effect to the public, and could lead directly to death, personal injury, severe physical damage or other loss (i.e., nuclear reaction control in nuclear facility, aircraft flight control, air traffic control, mass transport control, medical life support system, missile launch control in weapon system), or (2) for any use where chance of failure is intolerable (i.e., submersible repeater and artificial satellite). Please note that Spansion will not be liable to you and/or any third party for any claims or damages arising in connection with above-mentioned uses of the products. Any semiconductor devices have an inherent chance of failure. You must protect against injury, damage or loss from such failures by incorporating safety design measures into your facility and equipment such as redundancy, fire protection, and prevention of over-current levels and other abnormal operating conditions. If any products described in this document represent goods or technologies subject to certain restrictions on export under the Foreign Exchange and Foreign Trade Law of Japan, the US Export Administration Regulations or the applicable laws of any other country, the prior authorization by the respective government entity will be required for export of those products.

**Trademarks and Notice**

The contents of this document are subject to change without notice. This document may contain information on a Spansion product under development by Spansion. Spansion reserves the right to change or discontinue work on any product without notice. The information in this document is provided as is without warranty or guarantee of any kind as to its accuracy, completeness, operability, fitness for particular purpose, merchantability, non-infringement of third-party rights, or any other warranty, express, implied, or statutory. Spansion assumes no liability for any damages of any kind arising out of the use of the information in this document.

Copyright © 2008-2013 Spansion Inc. All rights reserved. Spansion®, the Spansion logo, MirrorBit®, MirrorBit® Eclipse™, ORNAND™ and combinations thereof, are trademarks and registered trademarks of Spansion LLC in the United States and other countries. Other names used are for informational purposes only and may be trademarks of their respective owners.

# Mouser Electronics

Authorized Distributor

Click to View Pricing, Inventory, Delivery & Lifecycle Information:

## [Spanion Inc.:](#)

[S25FL032P0XBHI020](#) [S25FL032P0XBHI030](#) [S25FL032P0XBHIS20](#) [S25FL032P0XBHIS30](#) [S25FL032P0XNFI003](#)  
[S25FL032P0XMFI011](#) [S25FL032P0XNFI000](#) [S25FL032P0XNFI011](#) [S25FL032P0XMFI013](#) [S25FL032P0XMFI001](#)  
[S25FL032P0XMFI003](#) [S25FL032P0XMFI010](#) [S25FL032P0XNFI001](#) [S25FL032P0XNFI010](#) [S25FL032P0XMFI000](#)