



TECHWELL
SECURITY



Security Surveillance IC Solutions

Features

TW2864

4-Channel Video Decoder and Audio Codec
For Security Applications

Target Applications

- Embedded DVR
- Video Server
- DVR PCI Card

Features

- Improved adaptive 4H comb filters for all NTSC/PAL standards
- Supports ITU-R BT.656 format or time multiplexed output with 54MHz or 108MHz
- Provides simultaneous 4-channel Full D1 or CIF time-multiplexed outputs
- PCM 8/16-bit and u-Law/A-Law 8-bit for audio word length
- Programmable audio sample rates: 8, 16, 32, 44.1 and 48kHz

Video Decoder

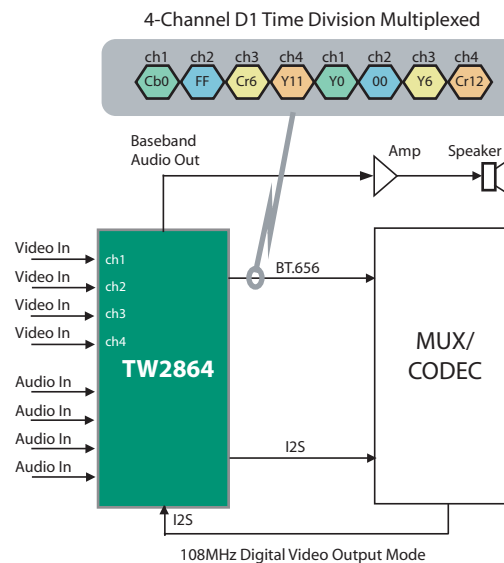
- Accepts all NTSC(M/N/4.43) / PAL(B/D/G/H/I/K/L/M/N/60) standards with auto detection
- Integrated four video analog anti-alias filters and 10 bit CMOS ADCs
- IF compensation filter for improvement of color demodulation
- Color Transient Improvement (CTI)
- Automatic white peak control
- Programmable hue, saturation, contrast, brightness and sharpness
- Proprietary fast video locking system for non-realtime application
- Field lock mode

Audio Codec

- Integrated four audio ADCs and one audio DAC
- Provides multi-channel audio mixed analog output
- Supports a standard I2S interface for record output and playback input

The TW2864 is Techwell's 4th generation 4-in-1 video decoder and audio codec for security surveillance applications. The device includes four high quality NTSC/PAL video decoders that convert analog composite video signal to digital component YCbCr data. The TW2864 contains four 10-bit ADCs and proprietary clamp and gain controllers and utilizes adaptive 4H comb filter for separating luminance & chrominance to reduce cross noise artifacts. The TW2864 adopts the image enhancement techniques such as IF compensation filter, CTI and programmable peaking. The TW2864 also includes audio codec which has four audio ADCs and one audio DAC. A built-in audio controller can generate digital outputs for recording/mixing and accepts digital input for playback.

Typical Application Diagram



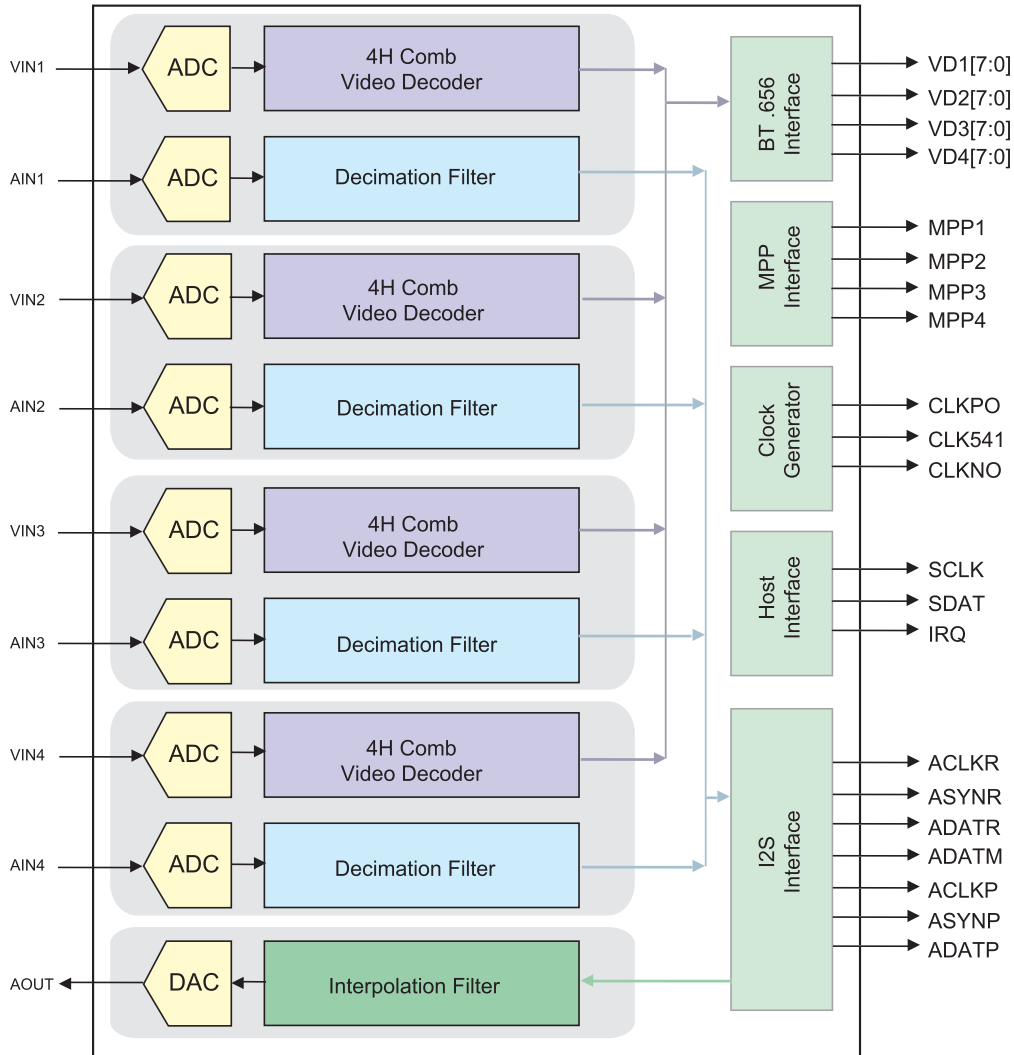
Other Features

- Audio and video sync function
- Supports a two-wire serial host interface
- Ultra low power consumption (Typical 500mW)
- 100 pin TQFP package

TW2864

4-Channel Video Decoder and Audio Codec
For Security Applications

TW2864 Block Diagram



About Techwell

Techwell is a fabless semiconductor company that designs, markets and sells mixed signal integrated circuits for multiple digital video applications in the consumer, security surveillance and automotive markets, including advanced TVs, multifunction LCD monitors, DVD Recorders, security surveillance systems and in-car LCD displays. Founded in 1997, we currently have over 90 employees and are headquartered in San Jose, California, with additional R&D and sales activities in South Korea, Japan, Taiwan and China. NASDAQ:TWLL

For more information on Techwell, please contact us at 1-408-435-3888

© 2007 Techwell Inc. All rights reserved.
All other trademarks are property of their respective owners

Mouser Electronics

Authorized Distributor

Click to View Pricing, Inventory, Delivery & Lifecycle Information:

[Intersil:](#)

[TW2864A-LD1-GR-EVAL](#) [TW2864B-LD1-CR](#) [TW2864B-LD1-GR-EVAL](#)