

ZVS Full-Bridge PWM Controller

The ISL6753 is a high-performance, low-pin-count alternative, zero-voltage switching (ZVS) full-bridge PWM controller. Like the ISL6551, it achieves ZVS operation by driving the upper bridge FETs at a fixed 50% duty cycle while the lower bridge FETS are trailing-edge modulated with adjustable resonant switching delays. Compared to the more familiar phase-shifted control method, this algorithm offers equivalent efficiency and improved overcurrent and light-load performance with less complexity in a lower pin count package.

This advanced BiCMOS design features low operating current, adjustable oscillator frequency up to 2MHz, adjustable soft-start, internal over temperature protection, precision deadtime and resonant delay control, and short propagation delays. Additionally, Multi-Pulse Suppression ensures alternating output pulses at low duty cycles where pulse skipping may occur.

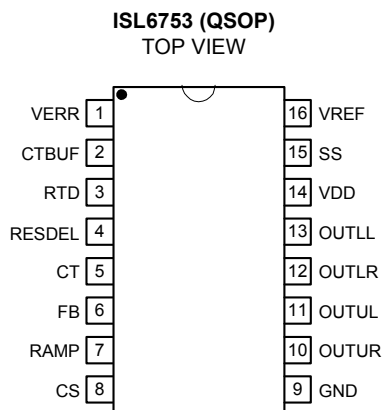
Ordering Information

PART NUMBER	PART MARKING	TEMP. RANGE (°C)	PACKAGE	PKG. DWG. #
ISL6753AAZA (See Note)	ISL6753AAZ	-40 to 105	16 Ld QSOP (Pb-free)	M16.15A

Add -T suffix to part number for tape and reel packaging

NOTE: Intersil Pb-free plus anneal products employ special Pb-free material sets; molding compounds/die attach materials and 100% matte tin plate termination finish, which are RoHS compliant and compatible with both SnPb and Pb-free soldering operations. Intersil Pb-free products are MSL classified at Pb-free peak reflow temperatures that meet or exceed the Pb-free requirements of IPC/JEDEC J STD-020.

Pinout



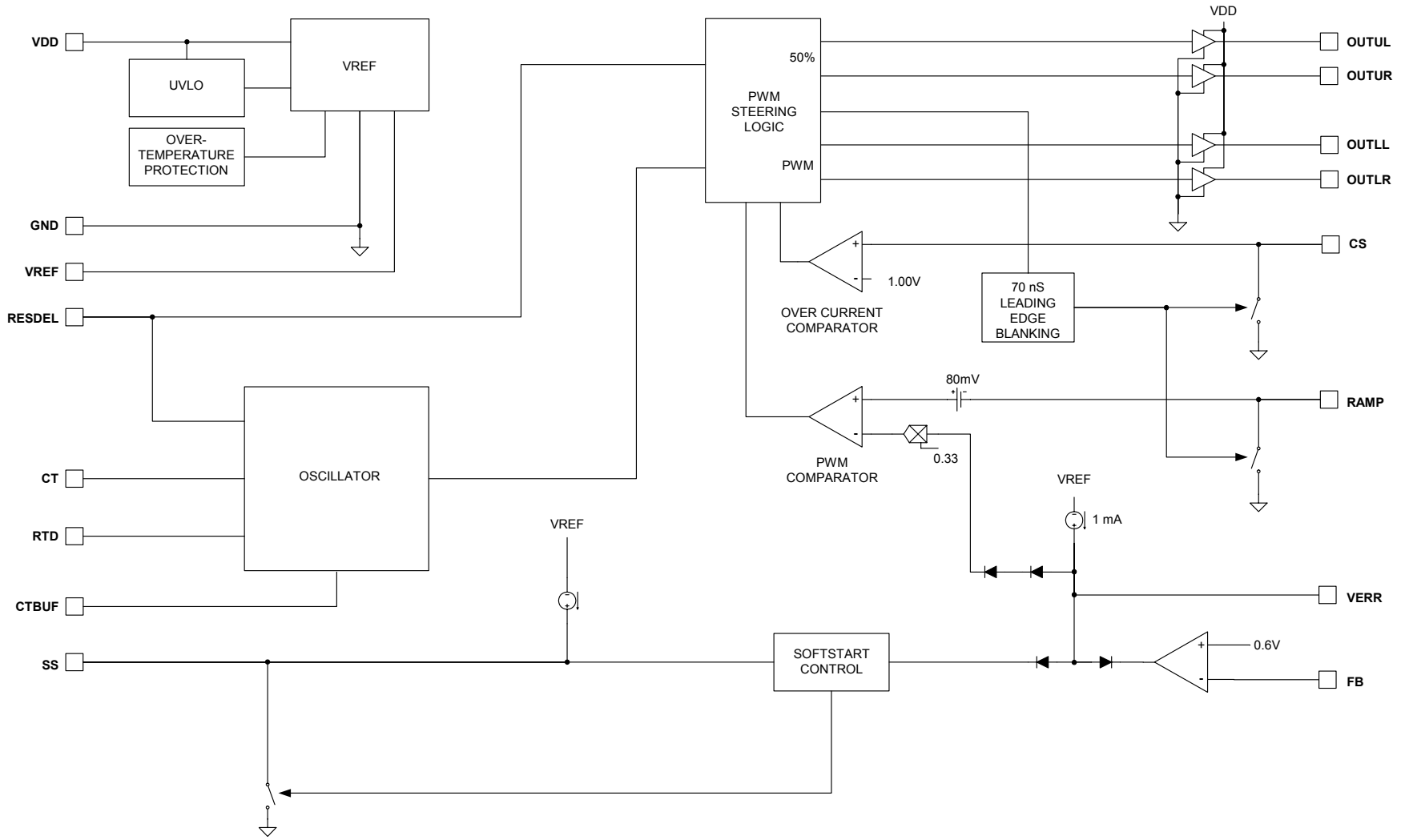
Features

- Adjustable Resonant Delay for ZVS Operation
- Voltage- or Current-Mode Operation
- 3% Current Limit Threshold
- 175µA Startup Current
- Supply UVLO
- Adjustable Deadtime Control
- Adjustable Soft-Start
- Adjustable Oscillator Frequency Up to 2MHz
- Tight Tolerance Error Amplifier Reference Over Line, Load, and Temperature
- 5MHz GBWP Error Amplifier
- Adjustable Cycle-by-Cycle Peak Current Limit
- Fast Current Sense to Output Delay
- 70ns Leading Edge Blanking
- Multi-Pulse Suppression
- Buffered Oscillator Sawtooth Output
- Internal Over Temperature Protection
- Pb-Free Plus Anneal Available and ELV, WEEE, RoHS Compliant

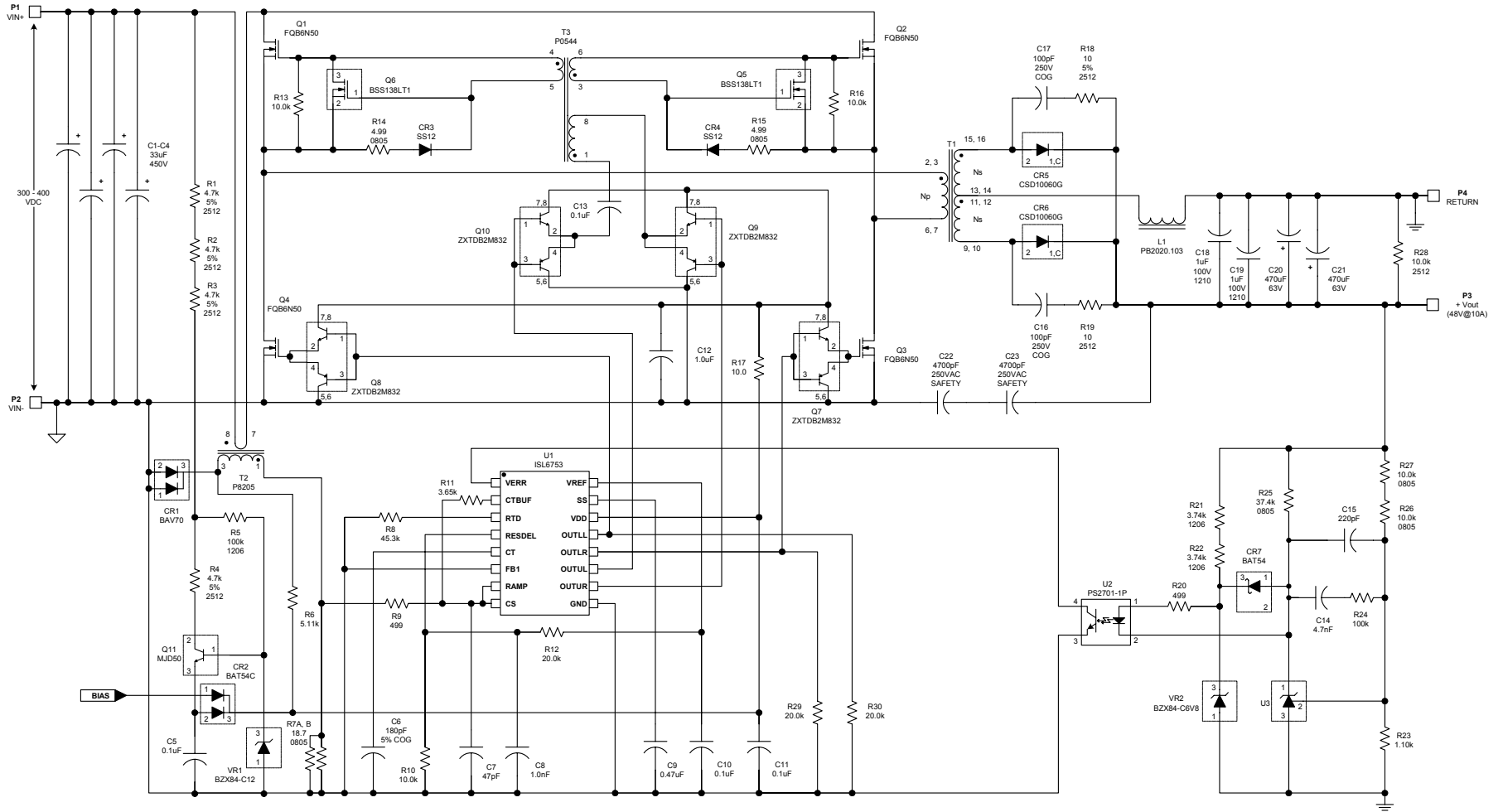
Applications

- ZVS Full-Bridge Converters
- Telecom and Datacom Power
- Wireless Base Station Power
- File Server Power
- Industrial Power Systems

Functional Block Diagram



Typical Application - High Voltage Input ZVS Full-Bridge Converter



Absolute Maximum Ratings

Supply Voltage, VDD	GND - 0.3V to +20.0V
OUTxxx	GND - 0.3V to VDD
Signal Pins	GND - 0.3V to V _{REF} + 0.3V
VREF	GND - 0.3V to 6.0V
Peak GATE Current	0.1A
ESD Classification	
Human Body Model (Per MIL-STD-883 Method 3015.7)	...3000V
Charged Device Model (Per EOS/ESD DS5.3, 4/14/93)	...1000V

Thermal Information

Thermal Resistance (Typical)	θ_{JA} (°C/W)
16 Lead QSOP (Note 1)	95
Maximum Junction Temperature	-55°C to 150°C
Maximum Storage Temperature Range	-65°C to 150°C
Maximum Lead Temperature (Soldering 10s)	300°C
(QSOP- Lead Tips Only)	

Operating Conditions

Temperature Range	
ISL6753AAxx	-40°C to 105°C
Supply Voltage Range (Typical)	9-16 VDC

CAUTION: Stresses above those listed in "Absolute Maximum Ratings" may cause permanent damage to the device. This is a stress only rating and operation of the device at these or any other conditions above those indicated in the operational sections of this specification is not implied.

NOTES:

- θ_{JA} is measured with the component mounted on a high effective thermal conductivity test board in free air. See Tech Brief TB379 for details.
- All voltages are with respect to GND.

Electrical Specifications Recommended operating conditions unless otherwise noted. Refer to Block Diagram and Typical Application schematic. $9V < VDD < 20V$, $RTD = 10.0k\Omega$, $CT = 470pF$, $T_A = -40^\circ C$ to $105^\circ C$ (Note 3), Typical values are at $T_A = 25^\circ C$

PARAMETER	TEST CONDITIONS	MIN	TYP	MAX	UNITS
SUPPLY VOLTAGE					
Supply Voltage		-	-	20	-
Start-Up Current, I _{DD}	VDD = 5.0V	-	175	400	μA
Operating Current, I _{DD}	R _{LOAD} , C _{OUT} = 0	-	11.0	15.5	mA
UVLO START Threshold		8.00	8.75	9.00	V
UVLO STOP Threshold		6.50	7.00	7.50	V
Hysteresis		-	1.75	-	V
REFERENCE VOLTAGE					
Overall Accuracy	V _{REF} = 0 - -10mA	4.850	5.000	5.150	V
Long Term Stability	T _A = 125°C, 1000 hours (Note 4)	-	3	-	mV
Operational Current (source)		-10	-	-	mA
Operational Current (sink)		5	-	-	mA
Current Limit	VREF = 4.85V	-15	-	-100	mA
CURRENT SENSE					
Current Limit Threshold	VERR = VREF	0.97	1.00	1.03	V
CS to OUT Delay	Excl. LEB (Note 4)	-	35	50	ns
Leading Edge Blanking (LEB) Duration	(Note 4)	50	70	100	ns
CS to OUT Delay + LEB	T _A = 25°C	-	-	130	ns
CS Sink Current Device Impedance	V _{CS} = 1.1V	-	-	20	Ω
Input Bias Current	V _{CS} = 0.3V	-1.0	-	1.0	μA
RAMP					
RAMP Sink Current Device Impedance	V _{RAMP} = 1.1V	-	-	20	Ω
RAMP to PWM Comparator Offset	T _A = 25°C	65	80	95	mV

ISL6753

Electrical Specifications Recommended operating conditions unless otherwise noted. Refer to Block Diagram and Typical Application schematic. $9V < VDD < 20V$, $RTD = 10.0k\Omega$, $CT = 470pF$, $T_A = -40^\circ C$ to $105^\circ C$ (Note 3), Typical values are at $T_A = 25^\circ C$ (Continued)

PARAMETER	TEST CONDITIONS	MIN	TYP	MAX	UNITS
Bias Current	$V_{RAMP} = 0.3V$	-5.0	-	-2.0	μA
Clamp Voltage	(Note 4)	6.5	-	8.0	V
PULSE WIDTH MODULATOR					
Minimum Duty Cycle	$VERR < 0.6V$	-	-	0	%
Maximum Duty Cycle (per half-cycle)	$VERR = 4.20V$, $V_{RAMP} = 0V$, $V_{CS} = 0V$ (Note 5)	-	94	-	%
	$RTD = 2.00k\Omega$, $CT = 220pF$	-	97	-	%
	$RTD = 2.00k\Omega$, $CT = 470pF$	-	99	-	%
Zero Duty Cycle VERR Voltage		0.85	-	1.20	V
VERR to PWM Comparator Input Offset	$T_A = 25^\circ C$	0.7	0.8	0.9	V
VERR to PWM Comparator Input Gain		0.31	0.33	0.35	V/V
Common Mode (CM) Input Range	(Note 4)	0	-	V_{SS}	V
ERROR AMPLIFIER					
Input Common Mode (CM) Range	(Note 4)	0	-	V_{REF}	V
GBWP	(Note 4)	5	-	-	MHz
VERR VOL	$I_{LOAD} = 2mA$	-	-	0.4	V
VERR VOH	$I_{LOAD} = 0mA$	4.20	-	-	V
VERR Pull-Up Current Source	$VERR = 2.5V$	0.8	1.0	1.3	mA
EA Reference	$T_A = 25^\circ C$	0.594	0.600	0.606	V
EA Reference + EA Input Offset Voltage		0.590	0.600	0.612	V
OSCILLATOR					
Frequency Accuracy, Overall	(Note 4)	165	183	201	kHz
		-10	-	+10	%
Frequency Variation with VDD	$T_A = 25^\circ C$, $(F_{20V} - F_{10V})/F_{10V}$	-	0.3	1.7	%
Temperature Stability	$VDD = 10V$, $ F_{-40^\circ C} - F_{0^\circ C} /F_{0^\circ C}$	-	4.5	-	%
	$ F_{0^\circ C} - F_{105^\circ C} /F_{25^\circ C}$ (Note 4)	-	1.5	-	%
Charge Current	$T_A = 25^\circ C$	-193	-200	-207	μA
Discharge Current Gain		19	20	23	$\mu A/\mu A$
CT Valley Voltage	Static Threshold	0.75	0.80	0.88	V
CT Peak Voltage	Static Threshold	2.75	2.80	2.88	V
CT Pk-Pk Voltage	Static Value	1.92	2.00	2.05	V
RTD Voltage		1.97	2.00	2.03	V
RESDEL Voltage Range		0	-	2	V
CTBUF Gain ($V_{CTBUFp-p}/V_{CTp-p}$)	$V_{CT} = 0.8V$, $2.6V$	1.95	2.0	2.05	V/V
CTBUF Offset from GND	$V_{CT} = 0.8V$	0.34	0.40	0.44	V
CTBUF VOH	$\Delta V(I_{LOAD} = 0mA, I_{LOAD} = -2mA)$, $V_{CT} = 2.6V$	-	-	0.10	V

Electrical Specifications Recommended operating conditions unless otherwise noted. Refer to Block Diagram and Typical Application schematic. $9V < VDD < 20V$, $RTD = 10.0k\Omega$, $CT = 470pF$, $T_A = -40^\circ C$ to $105^\circ C$ (Note 3), Typical values are at $T_A = 25^\circ C$ (Continued)

PARAMETER	TEST CONDITIONS	MIN	TYP	MAX	UNITS
CTBUF VOL	$\Delta V(I_{LOAD} = 2mA, I_{LOAD} = 0mA), V_{CT} = 0.8V$	-	-	0.10	V
SOFT-START					
Charging Current	SS = 3V	-60	-70	-80	μA
SS Clamp Voltage		4.410	4.500	4.590	V
SS Discharge Current	SS = 2V	10	-	-	mA
Reset Threshold Voltage	$T_A = 25^\circ C$	0.23	0.27	0.33	V
OUTPUTS					
High Level Output Voltage (VOH)	$I_{OUT} = -10mA, VDD - VOH$	-	0.5	1.0	V
Low Level Output Voltage (VOL)	$I_{OUT} = 10mA, VOL - GND$	-	0.5	1.0	V
Rise Time	$C_{OUT} = 220pF, VDD = 15V$ (Note 4)	-	110	200	ns
Fall Time	$C_{OUT} = 220pF, VDD = 15V$ (Note 4)	-	90	150	ns
UVLO Output Voltage Clamp	$VDD = 7V, I_{LOAD} = 1mA$ (Note 6)	-	-	1.25	V
THERMAL PROTECTION					
Thermal Shutdown	(Note 4)	130	140	150	$^\circ C$
Thermal Shutdown Clear	(Note 4)	115	125	135	$^\circ C$
Hysteresis, Internal Protection	(Note 4)	-	15	-	$^\circ C$

NOTES:

- Specifications at $-40^\circ C$ and $105^\circ C$ are guaranteed by $25^\circ C$ test with margin limits.
- Guaranteed by design, not 100% tested in production.
- This is the maximum duty cycle achievable using the specified values of RTD and CT . Larger or smaller maximum duty cycles may be obtained using other values for these components. See Equations 1 - 5.
- Adjust VDD below the UVLO stop threshold prior to setting at 7V.

Typical Performance Curves

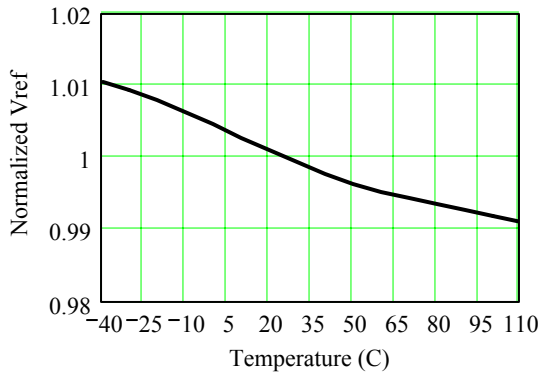


FIGURE 1. REFERENCE VOLTAGE vs TEMPERATURE

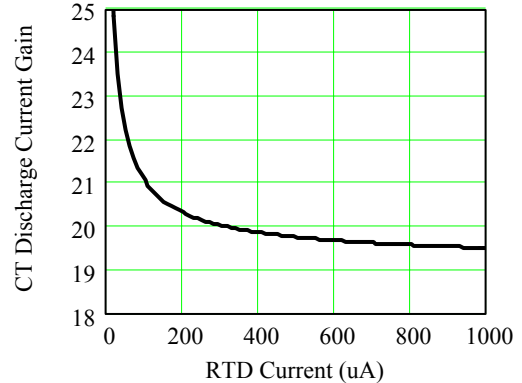


FIGURE 2. CT DISCHARGE CURRENT GAIN vs RTD CURRENT

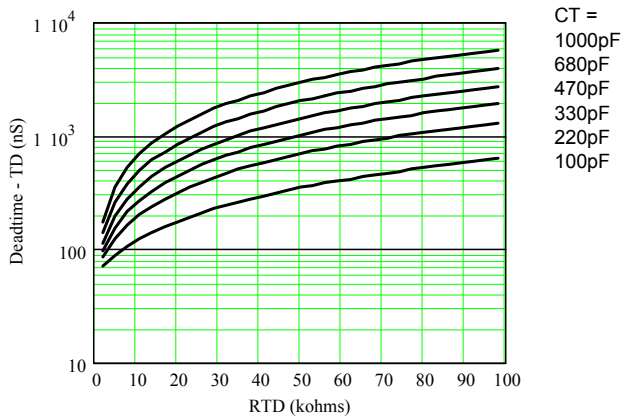


FIGURE 3. DEADTIME (DT) vs CAPACITANCE

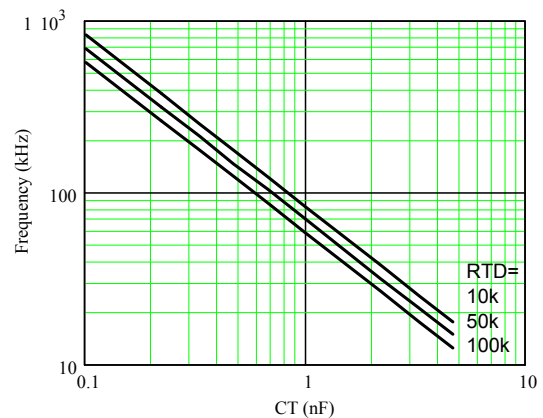


FIGURE 4. CAPACITANCE vs FREQUENCY

Pin Descriptions

VDD - VDD is the power connection for the IC. To optimize noise immunity, bypass VDD to GND with a ceramic capacitor as close to the VDD and GND pins as possible.

Supply voltage under-voltage lock-out (UVLO) start and stop thresholds track each other resulting in relatively constant hysteresis.

GND - Signal and power ground connections for this device. Due to high peak currents and high frequency operation, a low impedance layout is necessary. Ground planes and short traces are highly recommended.

VREF - The 5.00V reference voltage output having 3% tolerance over line, load and operating temperature. Bypass to GND with a 0.1 μ F to 2.2 μ F low ESR capacitor.

CT - The oscillator timing capacitor is connected between this pin and GND. It is charged through an internal 200 μ A current source and discharged with a user adjustable current source controlled by RTD.

RTD - This is the oscillator timing capacitor discharge current control pin. The current flowing in a resistor connected between this pin and GND determines the magnitude of the current that discharges CT. The CT discharge current is nominally 20x the resistor current. The PWM deadtime is determined by the timing capacitor discharge duration. The voltage at RTD is nominally 2.00V.

CS - This is the input to the overcurrent comparator. The overcurrent comparator threshold is set at 1.00V nominal. The CS pin is shorted to GND at the termination of either PWM output.

Depending on the current sensing source impedance, a series input resistor may be required due to the delay between the internal clock and the external power switch. This delay may result in CS being discharged prior to the power switching device being turned off.

RAMP - This is the input for the sawtooth waveform for the PWM comparator. The RAMP pin is shorted to GND at the termination of the PWM signal. A sawtooth voltage

waveform is required at this input. For current-mode control this pin is connected to CS and the current loop feedback signal is applied to both inputs. For voltage-mode control, the oscillator sawtooth waveform may be buffered and used to generate an appropriate signal, RAMP may be connected to the input voltage through a RC network for voltage feed forward control, or RAMP may be connected to VREF through a RC network to produce the desired sawtooth waveform.

OUTUL and OUTUR - These outputs control the upper bridge FETs and operate at a fixed 50% duty cycle in alternate sequence. OUTUL controls the upper left FET and OUTUR controls the upper right FET. The left and right designation may be switched as long as they are switched in conjunction with the lower FET outputs, OUTLL and OUTLR.

RESDEL - Sets the resonant delay period between the toggle of the upper FETs and the turn on of either of the lower FETs. The voltage applied to RESDEL determines when the upper FETs switch relative to a lower FET turning on. Varying the control voltage from 0 to 2.00V increases the resonant delay duration from 0 to 100% of the deadtime. The control voltage divided by 2 represents the percent of the deadtime equal to the resonant delay. In practice the maximum resonant delay must be set lower than 2.00V to ensure that the lower FETs, at maximum duty cycle, are OFF prior to the switching of the upper FETs.

OUTLL and OUTLR - These outputs control the lower bridge FETs, are pulse width modulated, and operate in alternate sequence. OUTLL controls the lower left FET and OUTLR controls the lower right FET. The left and right designation may be switched as long as they are switched in conjunction with the upper FET outputs, OUTUL and OUTUR.

VERR - The control voltage input to the inverting input of the PWM comparator. The output of an external error amplifier (EA) is applied to this input for closed loop regulation. VERR has a nominal 1mA pull-up current source.

FB - FB is the inverting input to the error amplifier (EA).

SS - Connect the soft-start timing capacitor between this pin and GND to control the duration of soft-start. The value of the capacitor determines the rate of increase of the duty cycle during start-up.

SS may also be used to inhibit the outputs by grounding through a small transistor in an open collector/drain configuration.

CTBUF - CTBUF is the buffered output of the sawtooth oscillator waveform present on CT and is capable of sourcing 2mA. It is offset from ground by 0.40V and has a nominal valley-to-peak gain of 2. It may be used for slope compensation.

Functional Description

Features

The ISL6753 PWM is an excellent choice for low cost ZVS full-bridge applications employing conventional output rectification. If synchronous rectification is required, please consider the ISL6752 or ISL6551 products.

With the ISL6753's many protection and control features, a highly flexible design with minimal external components is possible. Among its many features are support for both current- and voltage-mode control, a very accurate overcurrent limit threshold, thermal protection, a buffered sawtooth oscillator output suitable for slope compensation, voltage controlled resonant delay, and adjustable frequency with precise deadtime control.

Oscillator

The ISL6753 has an oscillator with a programmable frequency range to 2MHz, and can be programmed with an external resistor and capacitor.

The switching period is the sum of the timing capacitor charge and discharge durations. The charge duration is determined by CT and a fixed 200µA internal current source. The discharge duration is determined by RTD and CT.

$$T_C \approx 11.5 \cdot 10^3 \cdot CT \quad S \quad (\text{EQ. 1})$$

$$T_D \approx (0.06 \cdot RTD \cdot CT) + 50 \cdot 10^{-9} \quad S \quad (\text{EQ. 2})$$

$$T_{SW} = T_C + T_D = \frac{1}{F_{SW}} \quad S \quad (\text{EQ. 3})$$

where T_C and T_D are the charge and discharge times, respectively, T_{SW} is the oscillator period, and F_{SW} is the oscillator frequency. One output switching cycle requires two oscillator cycles. The actual times will be slightly longer than calculated due to internal propagation delays of approximately 10ns/transition. This delay adds directly to the switching duration, but also causes overshoot of the timing capacitor peak and valley voltage thresholds, effectively increasing the peak-to-peak voltage on the timing capacitor. Additionally, if very small discharge currents are used, there will be increased error due to the input impedance at the CT pin.

The maximum duty cycle, D, and percent deadtime, DT, can be calculated from:

$$D = \frac{T_C}{T_{SW}} \quad (\text{EQ. 4})$$

$$DT = 1 - D \quad (\text{EQ. 5})$$

Soft-Start Operation

The ISL6753 features a soft-start using an external capacitor in conjunction with an internal current source. Soft-start reduces component stresses and surge currents during start-up.

Upon start-up, the soft-start circuitry limits the error voltage input (VERR) to a value equal to the soft-start voltage. The output pulse width increases as the soft-start capacitor voltage increases. This has the effect of increasing the duty cycle from zero to the regulation pulse width during the soft-start period. When the soft-start voltage exceeds the error voltage, soft-start is completed. Soft-start occurs during start-up and after recovery from a fault condition. The soft-start charging period may be calculated as follows:

$$t = 64.3 \cdot C \quad \text{ms} \quad \text{(EQ. 6)}$$

where t is the charging period in ms and C is the value of the soft-start capacitor in μF .

The soft-start voltage is clamped to 4.50V with a tolerance of 2%. It is suitable for use as a “soft-started” reference provided the current draw is kept well below the 70 μA charging current.

The outputs may be inhibited by using the SS pin as a disable input. Pulling SS below 0.25V forces all outputs low. An open collector/drain configuration may be used to couple the disable signal into the SS pin.

Gate Drive

The ISL6753 outputs are capable of sourcing and sinking 10mA (at rated VOH, VOL) and are intended to be used in conjunction with integrated FET drivers or discrete bipolar totem pole drivers. The typical on resistance of the outputs is 50 Ω .

Overcurrent Operation

The cycle-by-cycle peak current limit results in pulse-by-pulse duty cycle reduction when the current feedback signal exceeds 1.0V. When the peak current exceeds the threshold, the active output pulse is immediately terminated. This results in a decrease in output voltage as the load current increases beyond the current limit threshold. The ISL6753 operates continuously in an overcurrent condition without shutdown.

If voltage-mode control is used in a bridge topology, it should be noted that peak current limit results in inherently unstable operation. The DC blocking capacitors used in voltage-mode bridge topologies become unbalanced, as does the flux in the transformer core. A latching overcurrent shutdown method using external components is recommended.

The propagation delay from CS exceeding the current limit threshold to the termination of the output pulse is increased by the leading edge blanking (LEB) interval. The effective delay is the sum of the two delays and is nominally 105ns.

Voltage Feed Forward Operation

Voltage feed forward is a technique used to regulate the output voltage for changes in input voltage without the intervention of the control loop. Voltage feed forward is often implemented in voltage-mode control loops, but is redundant and unnecessary in peak current-mode control loops.

Voltage feed forward operates by modulating the sawtooth ramp in direct proportion to the input voltage. Figure 5 demonstrates the concept.

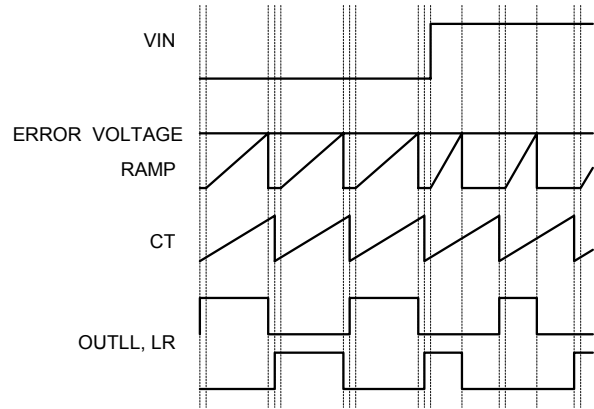


FIGURE 5. VOLTAGE FEED FORWARD BEHAVIOR

Input voltage feed forward may be implemented using the RAMP input. An RC network connected between the input voltage and ground, as shown in Figure 7, generates a voltage ramp whose charging rate varies with the amplitude of the source voltage. At the termination of the active output pulse RAMP is discharged to ground so that a repetitive sawtooth waveform is created. The RAMP waveform is compared to the VERR voltage to determine duty cycle. The selection of the RC components depends upon the desired input voltage operating range and the frequency of the oscillator. In typical applications the RC components are selected so that the ramp amplitude reaches 1.0V at minimum input voltage within the duration of one half-cycle.

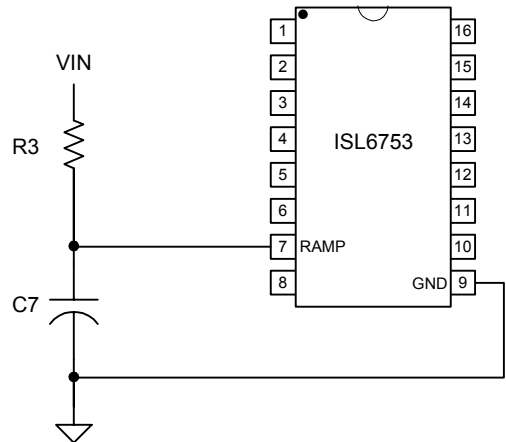


FIGURE 6. VOLTAGE FEED FORWARD CONTROL

The charging time of the ramp capacitor is

$$t = -R3 \cdot C7 \cdot \ln\left(1 - \frac{V_{\text{RAMP(PEAK)}}}{V_{\text{IN(MIN)}}}\right) \quad \text{S} \quad (\text{EQ. 7})$$

For optimum performance, the maximum value of the capacitor should be limited to 10nF. The maximum DC current through the resistor should be limited to 2mA maximum. For example, if the oscillator frequency is 400kHz, the minimum input voltage is 300V, and a 4.7nF ramp capacitor is selected, the value of the resistor can be determined by rearranging Equation 7.

$$R3 = \frac{-t}{C7 \cdot \ln\left(1 - \frac{V_{\text{RAMP(PEAK)}}}{V_{\text{IN(MIN)}}}\right)} = \frac{-2.5 \cdot 10^{-6}}{4.7 \cdot 10^{-9} \cdot \ln\left(1 - \frac{1}{300}\right)} = 159 \quad \text{k}\Omega \quad (\text{EQ. 8})$$

where t is equal to the oscillator period minus the deadtime. If the deadtime is short relative to the oscillator period, it can be ignored for this calculation.

If feed forward operation is not desired, the RC network may be connected to VREF rather than the input voltage. Alternatively, a resistor divider from CTBUF may be used as the sawtooth signal. Regardless, a sawtooth waveform must be generated on RAMP as it is required for proper PWM operation.

Slope Compensation

Peak current-mode control requires slope compensation to improve noise immunity, particularly at lighter loads, and to prevent current loop instability, particularly for duty cycles greater than 50%. Slope compensation may be accomplished by summing an external ramp with the current feedback signal or by subtracting the external ramp from the voltage feedback error signal. Adding the external ramp to the current feedback signal is the more popular method.

From the small signal current-mode model [1] it can be shown that the naturally-sampled modulator gain, Fm, without slope compensation, is

$$Fm = \frac{1}{S_n T_{sw}} \quad (\text{EQ. 9})$$

where Sn is the slope of the sawtooth signal and Tsw is the duration of the half-cycle. When an external ramp is added, the modulator gain becomes

$$Fm = \frac{1}{(S_n + S_e) T_{sw}} = \frac{1}{m_c S_n T_{sw}} \quad (\text{EQ. 10})$$

where Se is slope of the external ramp and

$$m_c = 1 + \frac{S_e}{S_n} \quad (\text{EQ. 11})$$

The criteria for determining the correct amount of external ramp can be determined by appropriately setting the damping factor of the double-pole located at half the oscillator frequency. The double-pole will be critically damped if the Q-factor is set to 1, and over-damped for Q > 1, and under-damped for Q < 1. An under-damped condition can result in current loop instability.

$$Q = \frac{1}{\pi(m_c(1-D) - 0.5)} \quad (\text{EQ. 12})$$

where D is the percent of on time during a half cycle. Setting Q = 1 and solving for Se yields:

$$S_e = S_n \left(\left(\frac{1}{\pi} + 0.5 \right) \frac{1}{1-D} - 1 \right) \quad (\text{EQ. 13})$$

Since Sn and Se are the on time slopes of the current ramp and the external ramp, respectively, they can be multiplied by Ton to obtain the voltage change that occurs during Ton.

$$V_e = V_n \left(\left(\frac{1}{\pi} + 0.5 \right) \frac{1}{1-D} - 1 \right) \quad (\text{EQ. 14})$$

where Vn is the change in the current feedback signal during the on time and Ve is the voltage that must be added by the external ramp.

Vn can be solved for in terms of input voltage, current transducer components, and output inductance yielding:

$$V_e = \frac{T_{sw} \cdot V_o \cdot R_{CS}}{N_{CT} \cdot L_o} \cdot \frac{N_s}{N_p} \left(\frac{1}{\pi} + D - 0.5 \right) \quad \text{V} \quad (\text{EQ. 15})$$

where RCS is the current sense burden resistor, NCT is the current transformer turns ratio, Lo is the output inductance, Vo is the output voltage, and Ns and Np are the secondary and primary turns, respectively.

The inductor current, when reflected through the isolation transformer and the current sense transformer to obtain the current feedback signal at the sense resistor yields:

$$V_{CS} = \frac{N_s \cdot R_{CS}}{N_p \cdot N_{CT}} \left(I_o + \frac{D \cdot T_{sw}}{2L_o} \left(V_{IN} \cdot \frac{N_s}{N_p} - V_o \right) \right) \quad \text{V} \quad (\text{EQ. 16})$$

where VCS is the voltage across the current sense resistor and Io is the output current at current limit.

Since the peak current limit threshold is 1.00V, the total current feedback signal plus the external ramp voltage must sum to this value.

$$V_e + V_{CS} = 1 \quad (\text{EQ. 17})$$

Substituting Equations 15 and 16 into Equation 17 and solving for RCS yields

$$R_{CS} = \frac{N_p \cdot N_{CT}}{N_s} \cdot \frac{1}{I_o + \frac{V_o T_{sw}}{L_o} \left(\frac{1}{\pi} + \frac{D}{2} \right)} \quad \Omega \quad (\text{EQ. 18})$$

For simplicity, idealized components have been used for this discussion, but the effect of magnetizing inductance must be considered when determining the amount of external ramp to add. Magnetizing inductance provides a degree of slope compensation to the current feedback signal and reduces the amount of external ramp required. The magnetizing inductance adds primary current in excess of what is reflected from the inductor current in the secondary.

$$\Delta I_P = \frac{V_{IN} \cdot DT_{SW}}{L_m} \quad A \quad (EQ. 19)$$

where V_{IN} is the input voltage that corresponds to the duty cycle D and L_m is the primary magnetizing inductance. The effect of the magnetizing current at the current sense resistor, R_{CS} , is

$$\Delta V_{CS} = \frac{\Delta I_P \cdot R_{CS}}{N_{CT}} \quad V \quad (EQ. 20)$$

If ΔV_{CS} is greater than or equal to V_e , then no additional slope compensation is needed and R_{CS} becomes

$$R_{CS} = \frac{N_{CT}}{\frac{N_S}{N_P} \cdot \left(I_O + \frac{DT_{SW}}{2L_O} \cdot \left(V_{IN} \cdot \frac{N_S}{N_P} - V_O \right) \right) + \frac{V_{IN} \cdot DT_{SW}}{L_m}} \quad (EQ. 21)$$

If ΔV_{CS} is less than V_e , then Equation 18 is still valid for the value of R_{CS} , but the amount of slope compensation added by the external ramp must be reduced by ΔV_{CS} .

Adding slope compensation is accomplished in the ISL6753 using the CTBUF signal. CTBUF is an amplified representation of the sawtooth signal that appears on the CT pin. It is offset from ground by 0.4V and is 2x the peak-to-peak amplitude of CT (0.4 - 4.4V). A typical application sums this signal with the current sense feedback and applies the result to the CS pin as shown in Figure 7.

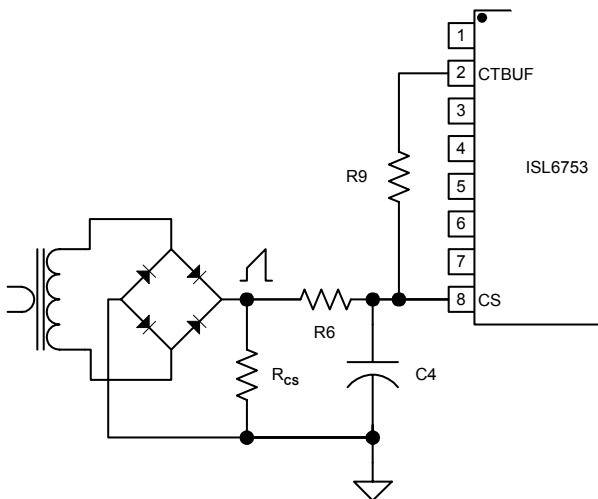


FIGURE 7. ADDING SLOPE COMPENSATION

Assuming the designer has selected values for the RC filter placed on the CS pin, the value of R_9 required to add the appropriate external ramp can be found by superposition.

$$V_e - \Delta V_{CS} = \frac{(D(V_{CTBUF} - 0.4) + 0.4) \cdot R_6}{R_6 + R_9} \quad V \quad (EQ. 22)$$

Rearranging to solve for R_9 yields

$$R_9 = \frac{(D(V_{CTBUF} - 0.4) - V_e + \Delta V_{CS} + 0.4) \cdot R_6}{V_e - \Delta V_{CS}} \quad \Omega \quad (EQ. 23)$$

The value of R_{CS} determined in Equation 18 must be rescaled so that the current sense signal presented at the CS pin is that predicted by Equation 16. The divider created by R_6 and R_9 makes this necessary.

$$R'_{CS} = \frac{R_6 + R_9}{R_9} \cdot R_{CS} \quad (EQ. 24)$$

Example:

$$V_{IN} = 280V$$

$$V_O = 12V$$

$$L_O = 2.0\mu H$$

$$N_p/N_s = 20$$

$$L_m = 2mH$$

$$I_O = 55A$$

$$\text{Oscillator Frequency, } F_{sw} = 400kHz$$

$$\text{Duty Cycle, } D = 85.7\%$$

$$N_{CT} = 50$$

$$R_6 = 499\Omega$$

Solve for the current sense resistor, R_{CS} , using Equation 18.

$$R_{CS} = 15.1\Omega$$

Determine the amount of voltage, V_e , that must be added to the current feedback signal using Equation 15.

$$V_e = 153mV$$

Next, determine the effect of the magnetizing current from Equation 20.

$$\Delta V_{CS} = 91mV$$

Using Equation 23, solve for the summing resistor, R_9 , from CTBUF to CS.

$$R_9 = 30.1k\Omega$$

Determine the new value of R_{CS} , R'_{CS} , using Equation 24.

$$R'_{CS} = 15.4\Omega$$

The above discussion determines the minimum external ramp that is required. Additional slope compensation may be considered for design margin.

If the application requires deadtime less than about 500ns, the CTBUF signal may not perform adequately for slope compensation. CTBUF lags the CT sawtooth waveform by 300-400ns. This behavior results in a non-zero value of CTBUF when the next half-cycle begins when the deadtime is short.

Under these situations, slope compensation may be added by externally buffering the CT signal as shown below.

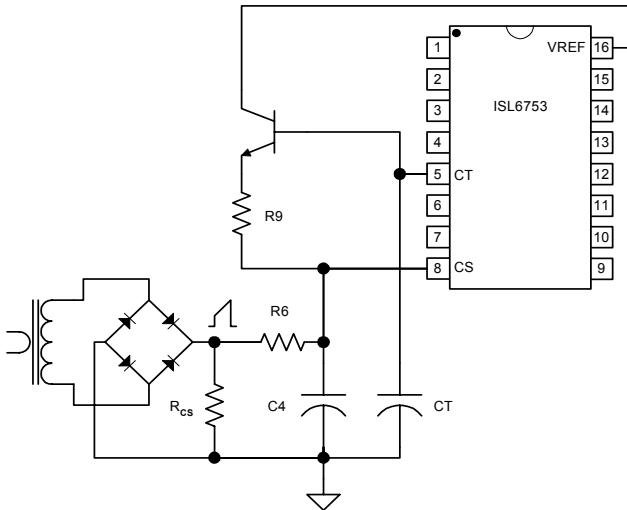


FIGURE 8. ADDING SLOPE COMPENSATION USING CT

Using CT to provide slope compensation instead of CTBUF requires the same calculations, except that Equations 21 and 22 require modification. Equation 21 becomes:

$$V_e - \Delta V_{CS} = \frac{2D \cdot R_6}{R_6 + R_9} \quad V \quad \text{(EQ. 25)}$$

and Equation 22 becomes:

$$R_9 = \frac{(2D - V_e + \Delta V_{CS}) \cdot R_6}{V_e - \Delta V_{CS}} \quad \Omega \quad \text{(EQ. 26)}$$

The buffer transistor used to create the external ramp from CT should have a sufficiently high gain so as to minimize the required base current. Whatever base current is required reduces the charging current into CT and will reduce the oscillator frequency.

ZVS Full-Bridge Operation

The ISL6753 is a full-bridge zero-voltage switching (ZVS) PWM controller that behaves much like a traditional hard-switched topology controller. Rather than drive the diagonal bridge switches simultaneously, the upper switches (OUTUL, OUTUR) are driven at a fixed 50% duty cycle and the lower switches (OUTLL, OUTLR) are pulse width modulated on the trailing edge.

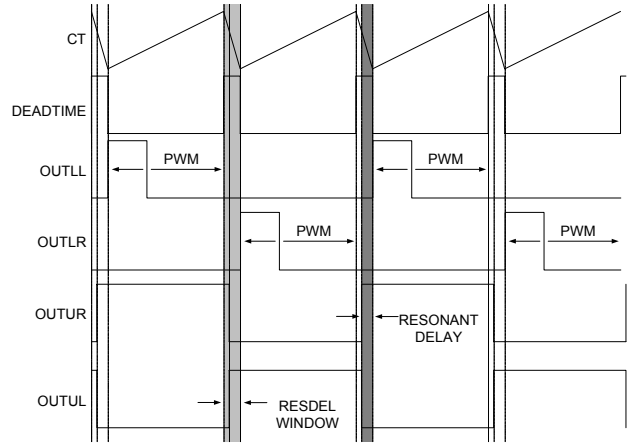


FIGURE 9. BRIDGE DRIVE SIGNAL TIMING

To understand how the ZVS method operates one must include the parasitic elements of the circuit and examine a full switching cycle.

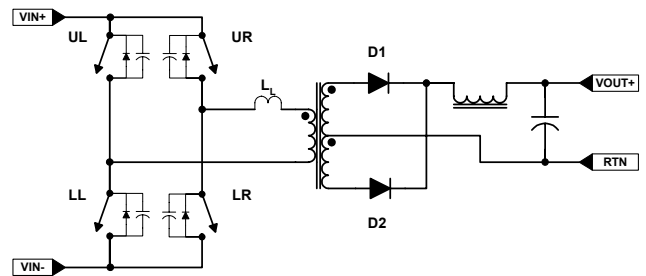


FIGURE 10. IDEALIZED FULL-BRIDGE

In Figure 10, the power semiconductor switches have been replaced by ideal switch elements with parallel diodes and capacitance, the output rectifiers are ideal, and the transformer leakage inductance has been included as a discrete element. The parasitic capacitance has been lumped together as switch capacitance, but represents all parasitic capacitance in the circuit including winding capacitance. Each switch is designated by its position, upper left (UL), upper right (UR), lower left (LL), and lower right (LR). The beginning of the cycle, shown in Figure 11, is arbitrarily set as having switches UL and LR on and UR and LL off. The direction of the primary and secondary currents are indicated by I_p and I_s , respectively.

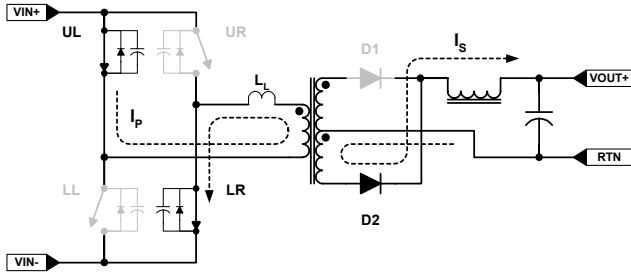


FIGURE 11. UL - LR POWER TRANSFER CYCLE

The UL - LR power transfer period terminates when switch LR turns off as determined by the PWM. The current flowing in the primary cannot be interrupted instantaneously, so it must find an alternate path. The current flows into the parasitic switch capacitance of LR and UR which charges the node to VIN and then forward biases the body diode of upper switch UR.

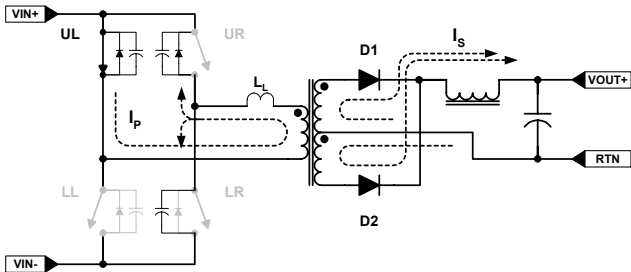


FIGURE 12. UL - UR FREE-WHEELING PERIOD

The primary leakage inductance, L_L , maintains the current which now circulates around the path of switch UL, the transformer primary, and switch UR. When switch LR opens, the output inductor current free-wheels through both output diodes, D1 and D2. During the switch transition, the output inductor current assists the leakage inductance in charging the upper and lower bridge FET capacitance.

The current flow from the previous power transfer cycle tends to be maintained during the free-wheeling period because the transformer primary winding is essentially shorted. Diode D1 may conduct very little or none of the free-wheeling current, depending on circuit parasitics. This behavior is quite different than occurs in a conventional hard-switched full-bridge topology where the free-wheeling current splits nearly evenly between the output diodes, and flows not at all in the primary.

This condition persists through the remainder of the half-cycle.

During the period when CT discharges, also referred to as the deadtime, the upper switches toggle. Switch UL turns off and switch UR turns on. The actual timing of the upper switch toggle is dependent on RESDEL which sets the

resonant delay. The voltage applied to RESDEL determines how far in advance the toggle occurs prior to a lower switch turning on. The ZVS transition occurs after the upper switches toggle and before the diagonal lower switch turns on. The required resonant delay is 1/4 of the period of the LC resonant frequency of the circuit formed by the leakage inductance and the parasitic capacitance. The resonant transition may be estimated from Equation 27.

$$\tau = \frac{\pi}{2} \frac{1}{\sqrt{\frac{1}{L_L C_P} - \frac{R^2}{4L_L^2}}} \quad (\text{EQ. 27})$$

where τ is the resonant transition time, L_L is the leakage inductance, C_P is the parasitic capacitance, and R is the equivalent resistance in series with L_L and C_P .

The resonant delay is always less than or equal to the deadtime and may be calculated using the following equation.

$$\tau_{\text{resdel}} = \frac{V_{\text{resdel}}}{2} \cdot DT \quad \text{S} \quad (\text{EQ. 28})$$

where τ_{resdel} is the desired resonant delay, V_{resdel} is a voltage between 0 and 2V applied to the RESDEL pin, and DT is the deadtime (see Equations 1 - 5).

When the upper switches toggle, the primary current that was flowing through UL must find an alternate path. It charges/discharges the parasitic capacitance of switches UL and LL until the body diode of LL is forward biased. If RESDEL is set properly, switch LL will be turned on at this time. The output inductor does not assist this transition. It is

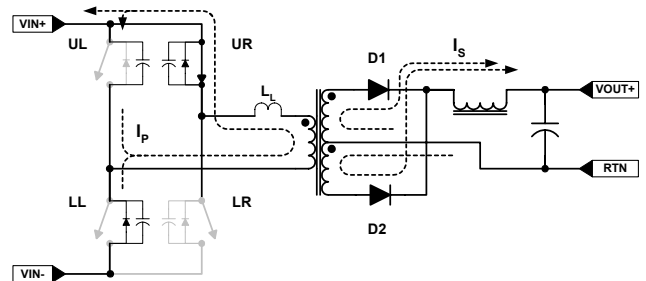


FIGURE 13. UPPER SWITCH TOGGLE AND RESONANT TRANSITION

purely a resonant transition driven by the leakage inductance.

The second power transfer period commences when switch LL closes. With switches UR and LL on, the primary and secondary currents flow as indicated below.

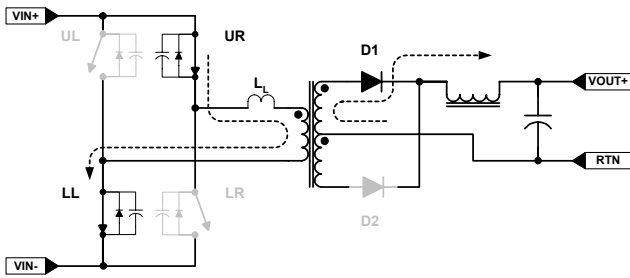


FIGURE 14. UR - LL POWER TRANSFER

The UR - LL power transfer period terminates when switch LL turns off as determined by the PWM. The current flowing in the primary must find an alternate path. The current flows into the parasitic switch capacitance which charges the node to VIN and then forward biases the body diode of upper switch UL. As before, the output inductor current assists in this transition. The primary leakage inductance, L_L , maintains the current, which now circulates around the path of switch UR, the transformer primary, and switch UL. When switch LL opens, the output inductor current free-wheels predominantly through diode D1. Diode D2 may actually conduct very little or none of the free-wheeling current, depending on circuit parasitics. This condition persists through the remainder of the half-cycle.

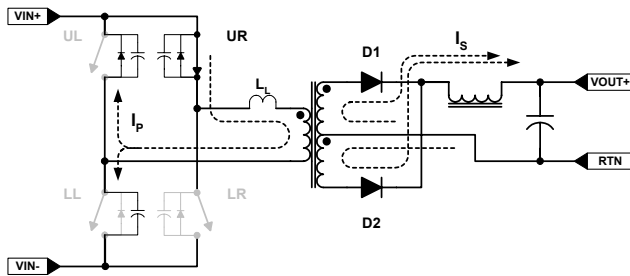


FIGURE 15. UR - UL FREE-WHEELING PERIOD

When the upper switches toggle, the primary current that was flowing through UR must find an alternate path. It charges/discharges the parasitic capacitance of switches UR and LR until the body diode of LR is forward biased. If

RESDEL is set properly, switch LR will be turned on at this time.

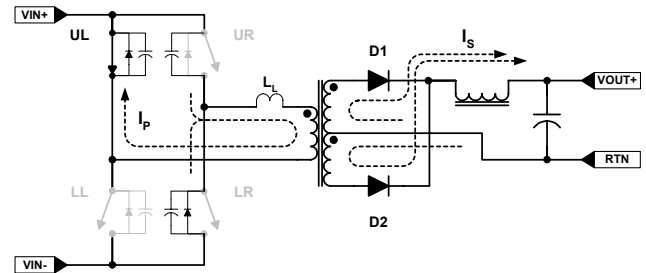


FIGURE 16. UPPER SWITCH TOGGLE AND RESONANT TRANSITION

The first power transfer period commences when switch LR closes and the cycle repeats. The ZVS transition requires that the leakage inductance has sufficient energy stored to fully charge the parasitic capacitances. Since the energy stored is proportional to the square of the current ($1/2 L_L I_P^2$), the ZVS resonant transition is load dependent. If the leakage inductance is not able to store sufficient energy for ZVS, a discrete inductor may be added in series with the transformer primary.

Fault Conditions

A fault condition occurs if VREF or VDD fall below their undervoltage lockout (UVLO) thresholds or if the thermal protection is triggered. When a fault is detected, the soft-start capacitor is quickly discharged, and the outputs are disabled low. When the fault condition clears and the soft-start voltage is below the reset threshold, a soft-start cycle begins.

An overcurrent condition is not considered a fault and does not result in a shutdown.

Thermal Protection

Internal die over temperature protection is provided. An integrated temperature sensor protects the device should the junction temperature exceed 140°C. There is approximately 15°C of hysteresis.

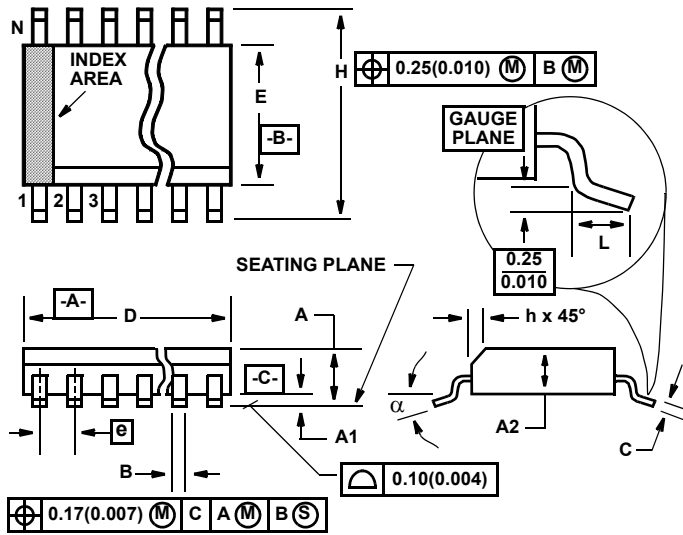
Ground Plane Requirements

Careful layout is essential for satisfactory operation of the device. A good ground plane must be employed. VDD and VREF should be bypassed directly to GND with good high frequency capacitance.

References

- [1] Ridley, R., "A New Continuous-Time Model for Current Mode Control", IEEE Transactions on Power Electronics, Vol. 6, No. 2, April 1991.

**Shrink Small Outline Plastic Packages (SSOP)
Quarter Size Outline Plastic Packages (QSOP)**



M16.15A
16 LEAD SHRINK SMALL OUTLINE PLASTIC PACKAGE
(0.150" WIDE BODY)

SYMBOL	INCHES		MILLIMETERS		NOTES
	MIN	MAX	MIN	MAX	
A	0.061	0.068	1.55	1.73	-
A1	0.004	0.0098	0.102	0.249	-
A2	0.055	0.061	1.40	1.55	-
B	0.008	0.012	0.20	0.31	9
C	0.0075	0.0098	0.191	0.249	-
D	0.189	0.196	4.80	4.98	3
E	0.150	0.157	3.81	3.99	4
e	0.025 BSC		0.635 BSC		-
H	0.230	0.244	5.84	6.20	-
h	0.010	0.016	0.25	0.41	5
L	0.016	0.035	0.41	0.89	6
N	16		16		7
α	0°	8°	0°	8°	-

NOTES:

1. Symbols are defined in the "MO Series Symbol List" in Section 2.2 of Publication Number 95.
2. Dimensioning and tolerancing per ANSI Y14.5M-1982.
3. Dimension "D" does not include mold flash, protrusions or gate burrs. Mold flash, protrusion and gate burrs shall not exceed 0.15mm (0.006 inch) per side.
4. Dimension "E" does not include interlead flash or protrusions. Interlead flash and protrusions shall not exceed 0.25mm (0.010 inch) per side.
5. The chamfer on the body is optional. If it is not present, a visual index feature must be located within the crosshatched area.
6. "L" is the length of terminal for soldering to a substrate.
7. "N" is the number of terminal positions.
8. Terminal numbers are shown for reference only.
9. Dimension "B" does not include dambar protrusion. Allowable dambar protrusion shall be 0.10mm (0.004 inch) total in excess of "B" dimension at maximum material condition.
10. Controlling dimension: INCHES. Converted millimeter dimensions are not necessarily exact.

Rev. 2 6/04

All Intersil U.S. products are manufactured, assembled and tested utilizing ISO9000 quality systems.
Intersil Corporation's quality certifications can be viewed at www.intersil.com/design/quality

Intersil products are sold by description only. Intersil Corporation reserves the right to make changes in circuit design, software and/or specifications at any time without notice. Accordingly, the reader is cautioned to verify that data sheets are current before placing orders. Information furnished by Intersil is believed to be accurate and reliable. However, no responsibility is assumed by Intersil or its subsidiaries for its use; nor for any infringements of patents or other rights of third parties which may result from its use. No license is granted by implication or otherwise under any patent or patent rights of Intersil or its subsidiaries.

For information regarding Intersil Corporation and its products, see www.intersil.com

Mouser Electronics

Authorized Distributor

Click to View Pricing, Inventory, Delivery & Lifecycle Information:

[Intersil:](#)

[ISL6753AAZA](#)