

±15kV ESD Protected, 1/8 Unit Load, 5V, Low Power, High Speed or Slew Rate Limited, RS-485/RS-422 Transceivers

These Intersil RS-485/RS-422 devices are ESD protected, fractional unit load (UL), BiCMOS, 5V powered, single transceivers that meet both the RS-485 and RS-422 standards for balanced communication. Each driver output/receiver input is protected against ±15kV ESD strikes, without latch-up. Unlike competitive devices, this Intersil family is specified for 10% tolerance supplies (4.5V to 5.5V).

All devices present a 1/8 “unit load” to the RS-485 bus, which allows up to 256 transceivers on the network for large node count systems (e.g., process automation, remote meter reading systems). In a remote utility meter reading system, individual (apartments for example) utility meter readings are routed to a concentrator via an RS-485 network, so the high allowed node count minimizes the number of repeaters required to network all the meters. Data for all meters is then read out from the concentrator via a single access port, or a wireless link.

Slew rate limited drivers on the ISL8487E and ISL81487L reduce EMI, and minimize reflections from improperly terminated transmission lines, or unterminated stubs in multidrop and multipoint applications. Data rates up to 250kbps are achievable with these devices.

Data rates up to 5Mbps are achievable by using the ISL81487E, which features higher slew rates.

Receiver (Rx) inputs feature a “fail-safe if open” design, which ensures a logic high Rx output if Rx inputs are floating.

Driver (Tx) outputs are short circuit protected, even for voltages exceeding the power supply voltage. Additionally, on-chip thermal shutdown circuitry disables the Tx outputs to prevent damage if power dissipation becomes excessive.

These half duplex devices multiplex the Rx inputs and Tx outputs to allow transceivers with Rx and Tx disable functions in 8 lead packages.

Features

- RS-485 I/O Pin ESD Protection ±15kV HBM
 - Class 3 ESD Level on all Other Pins >7kV HBM
- Fractional Unit Load Allows up to 256 Devices on the Bus
- Specified for 10% Tolerance Supplies
- High Data Rate Version (ISL81487E) up to 5Mbps
- Slew Rate Limited Versions for Error Free Data Transmission (ISL8487E, ISL81487L) up to 250kbps
- Low Current Shutdown Mode (Except ISL81487E). . . 0.5µA
- Low Quiescent Supply Current:
 - ISL8487E, ISL81487L 145µA (Max.)
 - ISL81487E 420µA (Max.)
- -7V to +12V Common Mode Input Voltage Range
- Three State Rx and Tx Outputs
- 30ns Propagation Delays, 5ns Skew (ISL81487E)
- Half Duplex Pinouts
- Operate from a Single +5V Supply (10% Tolerance)
- Current Limiting and Thermal Shutdown for Driver Overload Protection
- Pin Compatible Replacements for: MAX487E, (ISL8487E); LTC1487, ADM1487 (ISL81487L); MAX1487E, ST485ER (ISL81487E)
- Pb-Free Plus Anneal Available (RoHS Compliant)

Applications

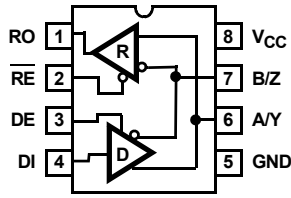
- High Node Count Networks
- Automated Utility Meter Reading Systems
- Factory Automation
- Security Networks
- Building Environmental Control Systems
- Industrial/Process Control Networks

TABLE 1. SUMMARY OF FEATURES

| PART NUMBER | HALF/FULL DUPLEX | NO. OF DEVICES ALLOWED ON BUS | DATA RATE (Mbps) | SLEW-RATE LIMITED? | RECEIVER/ DRIVER ENABLE? | QUIESCENT I _{CC} (µA) | LOW POWER SHUTDOWN? | PIN COUNT |
|-------------|------------------|-------------------------------|------------------|--------------------|--------------------------|--------------------------------|---------------------|-----------|
| ISL8487E | Half | 256 | 0.25 | Yes | Yes | 120 | Yes | 8 |
| ISL81487L | Half | 256 | 0.25 | Yes | Yes | 120 | Yes | 8 |
| ISL81487E | Half | 256 | 5 | No | Yes | 350 | No | 8 |

Pinout

ISL8487E, ISL81487L, ISL81487E (PDIP, SOIC)
TOP VIEW



Ordering Information

| PART NO. (BRAND) | PART MARKING | TEMP. RANGE (°C) | PACKAGE | PKG. DWG. # |
|----------------------|--------------|------------------|-----------------------|-------------|
| ISL8487EIB* | 8487EIB | -40 to 85 | 8 Ld SOIC | M8.15 |
| ISL8487EIBZ* (Note) | 8487EIBZ | -40 to 85 | 8 Ld SOIC (Pb-free) | M8.15 |
| ISL8487EIP | ISL8487EIP | -40 to 85 | 8 Ld PDIP | E8.3 |
| ISL8487EIPZ (Note) | 8487EIPZ | -40 to 85 | 8 Ld PDIP** (Pb-free) | E8.3 |
| ISL81487LIB* | 81487LIB | -40 to 85 | 8 Ld SOIC | M8.15 |
| ISL81487LIBZ* (Note) | 81487LIBZ | -40 to 85 | 8 Ld SOIC (Pb-free) | M8.15 |
| ISL81487LIP | ISL81487LIP | -40 to 85 | 8 Ld PDIP | E8.3 |
| ISL81487LIPZ (Note) | 81487LIPZ | -40 to 85 | 8 Ld PDIP** (Pb-free) | E8.3 |
| ISL81487EIB* | 81487EIB | -40 to 85 | 8 Ld SOIC | M8.15 |
| ISL81487EIBZ* (Note) | 81487EIBZ | -40 to 85 | 8 Ld SOIC (Pb-free) | M8.15 |
| ISL81487EIP | ISL81487EIP | -40 to 85 | 8 Ld PDIP | E8.3 |
| ISL81487EIPZ (Note) | ISL81487EIPZ | -40 to 85 | 8 Ld PDIP** (Pb-free) | E8.3 |

*Add "-T" suffix to part number for tape and reel packaging.

**Pb-free PDIPs can be used for through hole wave solder processing only. They are not intended for use in Reflow solder processing applications.

NOTE: Intersil Pb-free plus anneal products employ special Pb-free material sets; molding compounds/die attach materials and 100% matte tin plate termination finish, which are RoHS compliant and compatible with both SnPb and Pb-free soldering operations. Intersil Pb-free products are MSL classified at Pb-free peak reflow temperatures that meet or exceed the Pb-free requirements of IPC/JEDEC J STD-020.

Truth Tables

| TRANSMITTING | | | | |
|-----------------|----|----|----------|----------|
| INPUTS | | | OUTPUTS | |
| \overline{RE} | DE | DI | Z | Y |
| X | 1 | 1 | 0 | 1 |
| X | 1 | 0 | 1 | 0 |
| 0 | 0 | X | High-Z | High-Z |
| 1 | 0 | X | High-Z * | High-Z * |

*Shutdown Mode for ISL8487E, ISL81487L (See Note 7)

| RECEIVING | | | |
|-----------------|----|--------------|----------|
| INPUTS | | | OUTPUT |
| \overline{RE} | DE | A-B | RO |
| 0 | 0 | $\geq +0.2V$ | 1 |
| 0 | 0 | $\leq -0.2V$ | 0 |
| 0 | 0 | Inputs Open | 1 |
| 1 | 0 | X | High-Z * |
| 1 | 1 | X | High-Z |

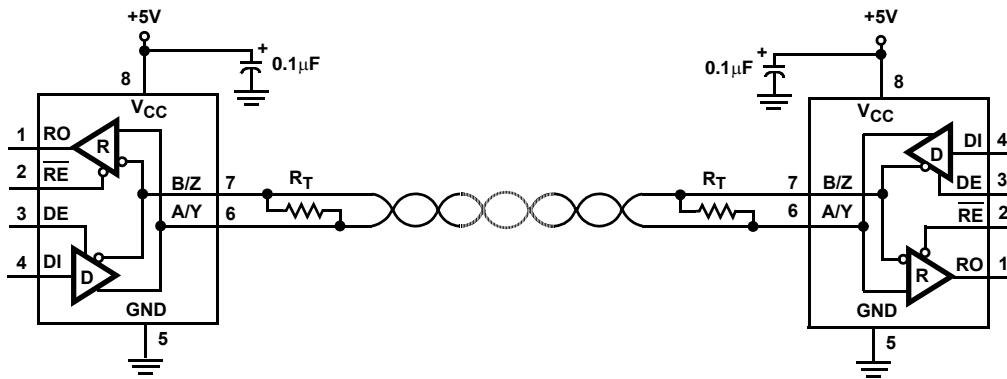
*Shutdown Mode for ISL8487E, ISL81487L (See Note 7)

Pin Descriptions

| PIN | FUNCTION |
|-----------------|--|
| RO | Receiver output: If $A > B$ by at least 0.2V, RO is high; If $A < B$ by 0.2V or more, RO is low; RO = High if A and B are unconnected (floating). |
| \overline{RE} | Receiver output enable. RO is enabled when \overline{RE} is low; RO is high impedance when \overline{RE} is high. |
| DE | Driver output enable. The driver outputs, Y and Z, are enabled by bringing DE high. They are high impedance when DE is low. |
| DI | Driver input. A low on DI forces output Y low and output Z high. Similarly, a high on DI forces output Y high and output Z low. |
| GND | Ground connection. |
| A/Y | $\pm 15\text{kV}$ HBM ESD Protected, RS-485/422 level, noninverting receiver input and non-inverting driver output. Pin is an input (A) if $DE = 0$; pin is an output (Y) if $DE = 1$. |
| B/Z | $\pm 15\text{kV}$ HBM ESD Protected, RS-485/422 level, inverting receiver input and inverting driver output. Pin is an input (B) if $DE = 0$; pin is an output (Z) if $DE = 1$. |
| VCC | System power supply input (4.5V to 5.5V). |

Typical Operating Circuits

ISL8487E, ISL81487L, ISL81487E



Absolute Maximum Ratings

| | |
|---------------------------|----------------------------------|
| V _{CC} to Ground | 7V |
| Input Voltages | |
| DI, DE, RE | -0.5V to (V _{CC} +0.5V) |
| Input/Output Voltages | |
| A/Y, B/Z | -8V to +12.5V |
| RO | -0.5V to (V _{CC} +0.5V) |
| Short Circuit Duration | |
| Y, Z | Continuous |
| ESD Rating | See Specification Table |

Operating Conditions

| | |
|-------------------|---------------|
| Temperature Range | |
| ISL8XXXIX | -40°C to 85°C |

CAUTION: Stresses above those listed in "Absolute Maximum Ratings" may cause permanent damage to the device. This is a stress only rating and operation of the device at these or any other conditions above those indicated in the operational sections of this specification is not implied.

NOTE:

1. θ_{JA} is measured with the component mounted on a low effective thermal conductivity test board in free air. See Tech Brief TB379 for details.

Thermal Information

| | |
|--|-------------------------------|
| Thermal Resistance (Typical, Note 1) | θ _{JA} (°C/W) |
| 8 Ld SOIC Package | 170 |
| 8 Ld PDIP Package* | 140 |
| Maximum Junction Temperature (Plastic Package) | 150°C |
| Maximum Storage Temperature Range | -65°C to 150°C |
| Maximum Lead Temperature (Soldering 10s) | 300°C (SOIC - Lead Tips Only) |

*Pb-free PDIPs can be used for through hole wave solder processing only. They are not intended for use in Reflow solder processing applications.

Electrical Specifications Test Conditions: V_{CC} = 4.5V to 5.5V; Unless Otherwise Specified. Typical values are at V_{CC} = 5V, T_A = 25°C, (Note 2)

| PARAMETER | SYMBOL | TEST CONDITIONS | TEMP (°C) | MIN | TYP | MAX | UNITS | |
|---|------------------|--|-----------------------|------|------|-----------------|-------|----|
| DC CHARACTERISTICS | | | | | | | | |
| Driver Differential V _{OUT} (no load) | V _{OD1} | | Full | - | - | V _{CC} | V | |
| Driver Differential V _{OUT} (with load) | V _{OD2} | R = 50Ω (RS-422), (Figure 1) | Full | 2 | 3 | - | V | |
| | | R = 27Ω (RS-485), (Figure 1) | Full | 1.5 | 2.3 | 5 | V | |
| Change in Magnitude of Driver Differential V _{OUT} for Complementary Output States | ΔV _{OD} | R = 27Ω or 50Ω, (Figure 1) | Full | - | 0.01 | 0.2 | V | |
| Driver Common-Mode V _{OUT} | V _{OC} | R = 27Ω or 50Ω, (Figure 1) | Full | - | - | 3 | V | |
| Change in Magnitude of Driver Common-Mode V _{OUT} for Complementary Output States | ΔV _{OC} | R = 27Ω or 50Ω, (Figure 1) | Full | - | 0.01 | 0.2 | V | |
| Logic Input High Voltage | V _{IH} | DE, DI, RE | Full | 2 | - | - | V | |
| Logic Input Low Voltage | V _{IL} | DE, DI, RE | Full | - | - | 0.8 | V | |
| Logic Input Current | I _{IN1} | DE, DI, RE | Full | -2 | - | 2 | μA | |
| Input Current (A/Y, B/Z), (Note 10) | I _{IN2} | DE = 0V, V _{CC} = 4.5 to 5.5V | V _{IN} = 12V | Full | - | - | 140 | μA |
| | | | V _{IN} = -7V | Full | - | - | -120 | μA |
| | I _{IN2} | DE = 0V, V _{CC} = 0V | V _{IN} = 12V | Full | - | - | 180 | μA |
| | | | V _{IN} = -7V | Full | - | - | -100 | μA |
| Receiver Differential Threshold Voltage | V _{TH} | -7V ≤ V _{CM} ≤ 12V | Full | -0.2 | - | 0.2 | V | |
| Receiver Input Hysteresis | ΔV _{TH} | V _{CM} = 0V | 25 | - | 70 | - | mV | |
| Receiver Output High Voltage | V _{OH} | I _O = -4mA, V _{ID} = 200mV | Full | 3.5 | - | - | V | |
| Receiver Output Low Voltage | V _{OL} | I _O = -4mA, V _{ID} = 200mV | Full | - | - | 0.4 | V | |
| Three-State (high impedance) Receiver Output Current | I _{OZR} | 0.4V ≤ V _O ≤ 2.4V | Full | - | - | ±1 | μA | |
| Receiver Input Resistance | R _{IN} | -7V ≤ V _{CM} ≤ 12V | Full | 96 | - | - | kΩ | |

ISL8487E, ISL81487L, ISL81487E

Electrical Specifications Test Conditions: $V_{CC} = 4.5V$ to $5.5V$; Unless Otherwise Specified.
Typicals are at $V_{CC} = 5V$, $T_A = 25^\circ C$, (Note 2) **(Continued)**

| PARAMETER | SYMBOL | TEST CONDITIONS | TEMP (°C) | MIN | TYP | MAX | UNITS | |
|---|-----------------------|--|---------------|------|------|------|---------|---------|
| No-Load Supply Current, (Note 3) | I_{CC} | ISL81487E, DI, $\overline{RE} = 0V$ or V_{CC} | DE = V_{CC} | Full | - | 400 | 500 | μA |
| | | | DE = $0V$ | Full | - | 350 | 420 | μA |
| | | ISL8487E, ISL81487L, DI, $\overline{RE} = 0V$ or V_{CC} | DE = V_{CC} | Full | - | 160 | 200 | μA |
| | | | DE = $0V$ | Full | - | 120 | 145 | μA |
| Shutdown Supply Current | I_{SHDN} | (Note 7), DE = $0V$, $\overline{RE} = V_{CC}$, DI = $0V$ or V_{CC} | Full | - | 0.5 | 8 | μA | |
| Driver Short-Circuit Current, $V_O =$ High or Low | I_{OSD1} | DE = V_{CC} , $-7V \leq V_Y$ or $V_Z \leq 12V$, (Note 4) | Full | 35 | - | 250 | mA | |
| Receiver Short-Circuit Current | I_{OSR} | $0V \leq V_O \leq V_{CC}$ | Full | 7 | - | 85 | mA | |
| SWITCHING CHARACTERISTICS (ISL81487E) | | | | | | | | |
| Driver Input to Output Delay | t_{PLH} , t_{PHL} | $R_{DIFF} = 54\Omega$, $C_L = 100pF$, (Figure 2) | Full | 15 | 24 | 50 | ns | |
| Driver Output Skew | t_{SKEW} | $R_{DIFF} = 54\Omega$, $C_L = 100pF$, (Figure 2) | Full | - | 3 | 10 | ns | |
| Driver Differential Rise or Fall Time | t_R , t_F | $R_{DIFF} = 54\Omega$, $C_L = 100pF$, (Figure 2) | Full | 3 | 12 | 25 | ns | |
| Driver Enable to Output High | t_{ZH} | $C_L = 100pF$, SW = GND, (Figure 2) | Full | - | 14 | 70 | ns | |
| Driver Enable to Output Low | t_{ZL} | $C_L = 100pF$, SW = V_{CC} , (Figure 2) | Full | - | 14 | 70 | ns | |
| Driver Disable from Output High | t_{HZ} | $C_L = 15pF$, SW = GND, (Figure 2) | Full | - | 44 | 70 | ns | |
| Driver Disable from Output Low | t_{LZ} | $C_L = 15pF$, SW = V_{CC} , (Figure 2) | Full | - | 21 | 70 | ns | |
| Receiver Input to Output Delay | t_{PLH} , t_{PHL} | (Figure 4) | Full | 30 | 90 | 150 | ns | |
| Receiver Skew $t_{PLH} - t_{PHL}$ | t_{SKD} | (Figure 4) | 25 | - | 5 | - | ns | |
| Receiver Enable to Output High | t_{ZH} | $C_L = 15pF$, SW = GND, (Figure 5) | Full | - | 9 | 50 | ns | |
| Receiver Enable to Output Low | t_{ZL} | $C_L = 15pF$, SW = V_{CC} , (Figure 5) | Full | - | 9 | 50 | ns | |
| Receiver Disable from Output High | t_{HZ} | $C_L = 15pF$, SW = GND, (Figure 5) | Full | - | 9 | 50 | ns | |
| Receiver Disable from Output Low | t_{LZ} | $C_L = 15pF$, SW = V_{CC} , (Figure 5) | Full | - | 9 | 50 | ns | |
| Maximum Data Rate | f_{MAX} | | Full | 5 | - | - | Mbps | |
| SWITCHING CHARACTERISTICS (ISL8487E) | | | | | | | | |
| Driver Input to Output Delay | t_{PLH} , t_{PHL} | $R_{DIFF} = 54\Omega$, $C_L = 100pF$, (Figure 2) | Full | 250 | 650 | 2000 | ns | |
| Driver Output Skew | t_{SKEW} | $R_{DIFF} = 54\Omega$, $C_L = 100pF$, (Figure 2) | Full | - | 160 | 800 | ns | |
| Driver Differential Rise or Fall Time | t_R , t_F | $R_{DIFF} = 54\Omega$, $C_L = 100pF$, (Figure 2) | Full | 250 | 900 | 2000 | ns | |
| Driver Enable to Output High | t_{ZH} | $C_L = 100pF$, SW = GND, (Figure 3, Note 5) | Full | 250 | 1000 | 2000 | ns | |
| Driver Enable to Output Low | t_{ZL} | $C_L = 100pF$, SW = V_{CC} , (Figure 3, Note 5) | Full | 250 | 860 | 2000 | ns | |
| Driver Disable from Output High | t_{HZ} | $C_L = 15pF$, SW = GND, (Figure 3) | Full | 300 | 660 | 3000 | ns | |
| Driver Disable from Output Low | t_{LZ} | $C_L = 15pF$, SW = V_{CC} , (Figure 3) | Full | 300 | 640 | 3000 | ns | |
| Receiver Input to Output Delay | t_{PLH} , t_{PHL} | (Figure 4) | Full | 250 | 500 | 2000 | ns | |
| Receiver Skew $t_{PLH} - t_{PHL}$ | t_{SKD} | (Figure 4) | 25 | - | 60 | - | ns | |
| Receiver Enable to Output High | t_{ZH} | $C_L = 15pF$, SW = GND, (Figure 5, Note 6) | Full | - | 10 | 50 | ns | |
| Receiver Enable to Output Low | t_{ZL} | $C_L = 15pF$, SW = V_{CC} , (Figure 5, Note 6) | Full | - | 10 | 50 | ns | |
| Receiver Disable from Output High | t_{HZ} | $C_L = 15pF$, SW = GND, (Figure 5) | Full | - | 10 | 50 | ns | |
| Receiver Disable from Output Low | t_{LZ} | $C_L = 15pF$, SW = V_{CC} , (Figure 5) | Full | - | 10 | 50 | ns | |
| Maximum Data Rate | f_{MAX} | | Full | 250 | - | - | kbps | |
| Time to Shutdown | t_{SHDN} | (Note 7) | Full | 50 | 120 | 600 | ns | |
| Driver Enable from Shutdown to Output High | $t_{ZH(SHDN)}$ | $C_L = 100pF$, SW = GND, (Figure 3, Notes 7, 8) | Full | - | 1000 | 2000 | ns | |
| Driver Enable from Shutdown to Output Low | $t_{ZL(SHDN)}$ | $C_L = 100pF$, SW = V_{CC} , (Figure 3, Notes 7, 8) | Full | - | 1000 | 2000 | ns | |

ISL8487E, ISL81487L, ISL81487E

Electrical Specifications Test Conditions: $V_{CC} = 4.5V$ to $5.5V$; Unless Otherwise Specified.
Typicals are at $V_{CC} = 5V$, $T_A = 25^\circ C$, (Note 2) **(Continued)**

| PARAMETER | SYMBOL | TEST CONDITIONS | TEMP (°C) | MIN | TYP | MAX | UNITS |
|--|-----------------------|--|-----------|-----|-----------|------|-------|
| Receiver Enable from Shutdown to Output High | $t_{ZH}(SHDN)$ | $C_L = 15pF$, SW = GND, (Figure 5, Notes 7, 9) | Full | - | 800 | 2500 | ns |
| Receiver Enable from Shutdown to Output Low | $t_{ZL}(SHDN)$ | $C_L = 15pF$, SW = V_{CC} , (Figure 5, Notes 7, 9) | Full | - | 800 | 2500 | ns |
| SWITCHING CHARACTERISTICS (ISL81487L) | | | | | | | |
| Driver Input to Output Delay | t_{PLH} , t_{PHL} | $R_{DIFF} = 54\Omega$, $C_L = 100pF$, (Figure 2) | Full | 150 | 650 | 1200 | ns |
| Driver Output Skew | t_{SKEW} | $R_{DIFF} = 54\Omega$, $C_L = 100pF$, (Figure 2) | Full | - | 160 | 600 | ns |
| Driver Differential Rise or Fall Time | t_R , t_F | $R_{DIFF} = 54\Omega$, $C_L = 100pF$, (Figure 2) | Full | 250 | 900 | 1200 | ns |
| Driver Enable to Output High | t_{ZH} | $C_L = 100pF$, SW = GND, (Figure 3, Note 5) | Full | 100 | 1000 | 1500 | ns |
| Driver Enable to Output Low | t_{ZL} | $C_L = 100pF$, SW = V_{CC} , (Figure 3, Note 5) | Full | 100 | 1000 | 1500 | ns |
| Driver Disable from Output High | t_{HZ} | $C_L = 15pF$, SW = GND, (Figure 3) | Full | 150 | 750 | 1500 | ns |
| Driver Disable from Output Low | t_{LZ} | $C_L = 15pF$, SW = V_{CC} , (Figure 3) | Full | 150 | 750 | 1500 | ns |
| Receiver Input to Output Delay | t_{PLH} , t_{PHL} | (Figure 4) | Full | 30 | 175 | 250 | ns |
| Receiver Skew $t_{PLH} - t_{PHL}$ | t_{SKD} | (Figure 4) | 25 | - | 13 | - | ns |
| Receiver Enable to Output High | t_{ZH} | $C_L = 15pF$, SW = GND, (Figure 5, Note 6) | Full | - | 10 | 50 | ns |
| Receiver Enable to Output Low | t_{ZL} | $C_L = 15pF$, SW = V_{CC} , (Figure 5, Note 6) | Full | - | 10 | 50 | ns |
| Receiver Disable from Output High | t_{HZ} | $C_L = 15pF$, SW = GND, (Figure 5) | Full | - | 10 | 50 | ns |
| Receiver Disable from Output Low | t_{LZ} | $C_L = 15pF$, SW = V_{CC} , (Figure 5) | Full | - | 10 | 50 | ns |
| Maximum Data Rate | f_{MAX} | | Full | 250 | - | - | kbps |
| Time to Shutdown | t_{SHDN} | (Note 7) | Full | 50 | 140 | 600 | ns |
| Driver Enable from Shutdown to Output High | $t_{ZH}(SHDN)$ | $C_L = 100pF$, SW = GND, (Figure 3, Notes 7, 8) | Full | - | 1100 | 2000 | ns |
| Driver Enable from Shutdown to Output Low | $t_{ZL}(SHDN)$ | $C_L = 100pF$, SW = V_{CC} , (Figure 3, Notes 7, 8) | Full | - | 1000 | 2000 | ns |
| Receiver Enable from Shutdown to Output High | $t_{ZH}(SHDN)$ | $C_L = 15pF$, SW = GND, (Figure 5, Notes 7, 9) | Full | - | 900 | 2000 | ns |
| Receiver Enable from Shutdown to Output Low | $t_{ZL}(SHDN)$ | $C_L = 15pF$, SW = V_{CC} , (Figure 5, Notes 7, 9) | Full | - | 900 | 2000 | ns |
| ESD PERFORMANCE | | | | | | | |
| RS-485 Pins (A/Y, B/Z) | | Human Body Model | 25 | - | ± 15 | - | kV |
| All Other Pins | | | 25 | - | $> \pm 7$ | - | kV |

NOTES:

- Currents into device pins are positive; currents out of device pins are negative. Voltages are referenced to ground unless otherwise specified.
- Supply current specification is valid for loaded drivers when DE = 0V.
- Applies to peak current. See "Typical Performance Curves" for more information.
- When testing the ISL8487E and ISL81487L, keep $\overline{RE} = 0$ to prevent the device from entering SHDN.
- When testing the ISL8487E and ISL81487L, the \overline{RE} signal high time must be short enough (typically <200ns) to prevent the device from entering SHDN.
- The ISL8487E and ISL81487L are put into shutdown by bringing \overline{RE} high and DE low. If the inputs are in this state for less than 50ns, the parts are guaranteed not to enter shutdown. If the inputs are in this state for at least 600ns, the parts are guaranteed to have entered shutdown. See "Low-Power Shutdown Mode" section.
- Keep $\overline{RE} = V_{CC}$, and set the DE signal low time >600ns to ensure that the device enters SHDN.
- Set the \overline{RE} signal high time >600ns to ensure that the device enters SHDN.
- Devices meeting these limits are denoted as "1/8 unit load (1/8 UL)" transceivers. The RS-485 standard allows up to 32 Unit Loads on the bus, so there can be 256 1/8 UL devices on a bus.

Test Circuits and Waveforms

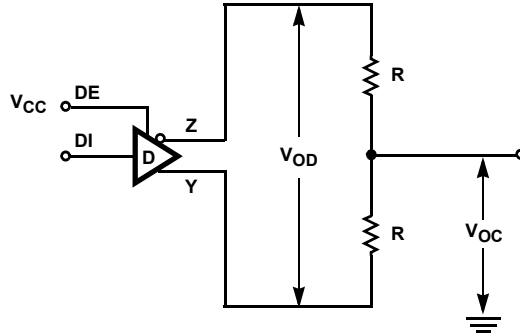


FIGURE 1. DRIVER V_{OD} AND V_{OC}

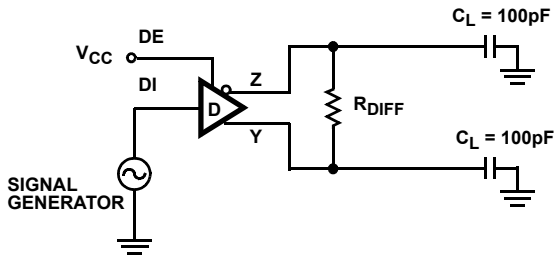
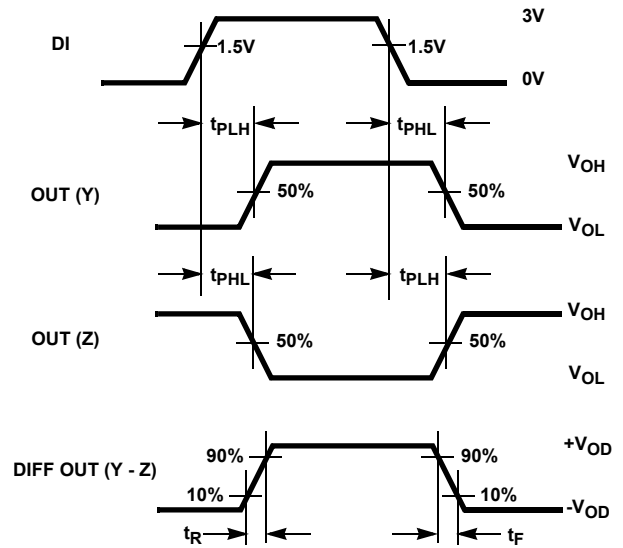


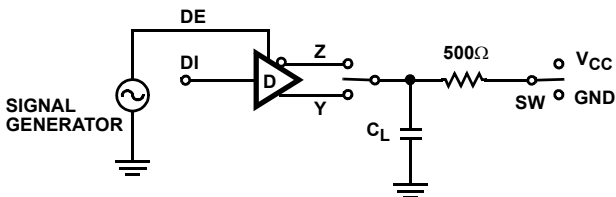
FIGURE 2A. TEST CIRCUIT



$$\text{SKEW} = |t_{PLH}(Y \text{ or } Z) - t_{PHL}(Z \text{ or } Y)|$$

FIGURE 2B. MEASUREMENT POINTS

FIGURE 2. DRIVER PROPAGATION DELAY AND DIFFERENTIAL TRANSITION TIMES



(SHDN) for ISL8487E and ISL81487L only.

| PARAMETER | OUTPUT | \overline{RE} | DI | SW | C_L (pF) |
|-----------------------|--------|-----------------|-----|----------|------------|
| t_{HZ} | Y/Z | X | 1/0 | GND | 15 |
| t_{LZ} | Y/Z | X | 0/1 | V_{CC} | 15 |
| t_{ZH} | Y/Z | 0 (Note 5) | 1/0 | GND | 100 |
| t_{ZL} | Y/Z | 0 (Note 5) | 0/1 | V_{CC} | 100 |
| $t_{ZH}(\text{SHDN})$ | Y/Z | 1 (Note 7) | 1/0 | GND | 100 |
| $t_{ZL}(\text{SHDN})$ | Y/Z | 1 (Note 7) | 0/1 | V_{CC} | 100 |

FIGURE 3A. TEST CIRCUIT

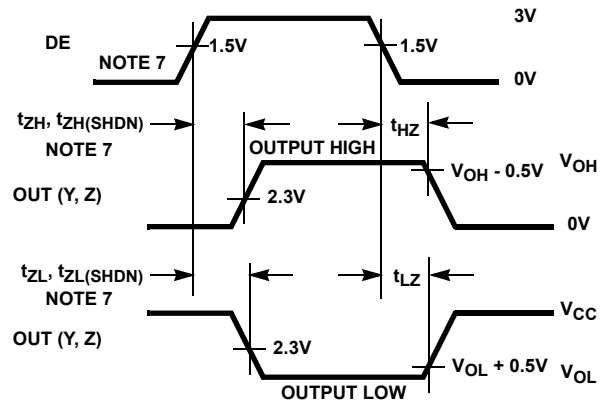


FIGURE 3B. MEASUREMENT POINTS

FIGURE 3. DRIVER ENABLE AND DISABLE TIMES

Test Circuits and Waveforms (Continued)

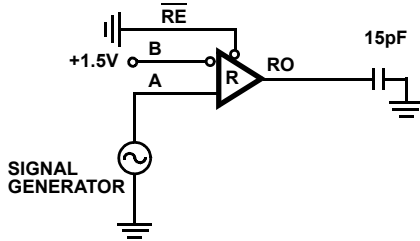


FIGURE 4A. TEST CIRCUIT

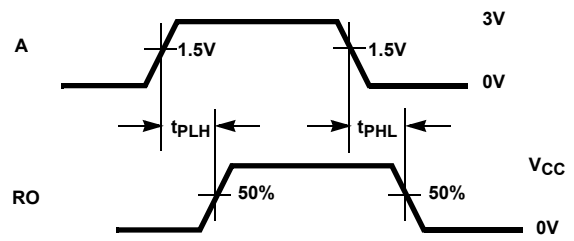
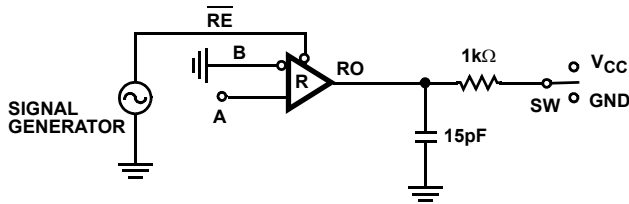


FIGURE 4B. MEASUREMENT POINTS

FIGURE 4. RECEIVER PROPAGATION DELAY



(SHDN) for ISL8487E and ISL81487L only.

| PARAMETER | DE | A | SW |
|-------------------------|----|-------|----------|
| t_{HZ} | 0 | +1.5V | GND |
| t_{LZ} | 0 | -1.5V | V_{CC} |
| t_{ZH} (Note 6) | 0 | +1.5V | GND |
| t_{ZL} (Note 6) | 0 | -1.5V | V_{CC} |
| $t_{ZH(SHDN)}$ (Note 7) | 0 | +1.5V | GND |
| $t_{ZL(SHDN)}$ (Note 7) | 0 | -1.5V | V_{CC} |

FIGURE 5A. TEST CIRCUIT

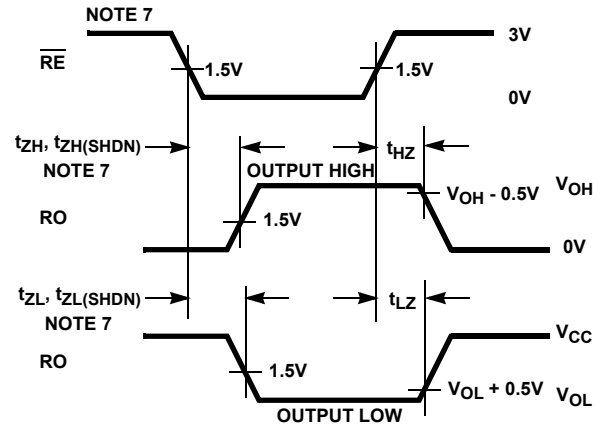


FIGURE 5B. MEASUREMENT POINTS

FIGURE 5. RECEIVER ENABLE AND DISABLE TIMES

Application Information

RS-485 and RS-422 are differential (balanced) data transmission standards for use in long haul or noisy environments. RS-422 is a subset of RS-485, so RS-485 transceivers are also RS-422 compliant. RS-422 is a point-to-multipoint (multidrop) standard, which allows only one driver and up to 10 (assuming one unit load devices) receivers on each bus. RS-485 is a true multipoint standard, which allows up to 32 one unit load devices (any combination of drivers and receivers) on each bus. To allow for multipoint operation, the RS-485 spec requires that drivers must handle bus contention without sustaining any damage.

Another important advantage of RS-485 is the extended common mode range (CMR), which specifies that the driver outputs and receiver inputs withstand signals that range from +12V to -7V. RS-422 and RS-485 are intended for runs as long as 4000', so the wide CMR is necessary to handle

ground potential differences, as well as voltages induced in the cable by external fields.

Receiver Features

These devices utilize a differential input receiver for maximum noise immunity and common mode rejection. Input sensitivity is $\pm 200\text{mV}$, as required by the RS-422 and RS-485 specifications.

Receiver input resistance of $96\text{k}\Omega$ surpasses the RS-422 spec of $4\text{k}\Omega$, and is eight times the RS-485 "Unit Load (UL)" requirement of $12\text{k}\Omega$ minimum. Thus, these products are known as "one-eighth UL" transceivers, and there can be up to 256 of these devices on a network while still complying with the RS-485 loading spec.

Receiver inputs function with common mode voltages as great as $\pm 7\text{V}$ outside the power supplies (i.e., +12V and -7V), making them ideal for long networks where induced voltages are a realistic concern.

All the receivers include a “fail-safe if open” function that guarantees a high level receiver output if the receiver inputs are unconnected (floating).

Receivers easily meet the data rates supported by the corresponding driver, and receiver outputs are three-statable via the active low \overline{RE} input.

Driver Features

The RS-485/422 driver is a differential output device that delivers at least 1.5V across a 54 Ω load (RS-485), and at least 2V across a 100 Ω load (RS-422). The drivers feature low propagation delay skew to maximize bit width, and to minimize EMI.

Driver outputs are three-statable via the active high DE input.

The ISL8487E and ISL81487L driver outputs are slew rate limited to minimize EMI, and to minimize reflections in unterminated or improperly terminated networks. Data rate on these slew rate limited versions is a maximum of 250kbps. ISL81487E drivers are not limited, so faster output transition times allow data rates of at least 5Mbps.

Data Rate, Cables, and Terminations

RS-485/422 are intended for network lengths up to 4000', but the maximum system data rate decreases as the transmission length increases. Devices operating at 5Mbps are limited to lengths less than a few hundred feet, while the 250kbps versions can operate at full data rates with lengths in excess of 1000'.

Twisted pair is the cable of choice for RS-485/422 networks. Twisted pair cables tend to pick up noise and other electromagnetically induced voltages as common mode signals, which are effectively rejected by the differential receivers in these ICs.

To minimize reflections, proper termination is imperative when using the 5Mbps device. Short networks using the 250kbps versions need not be terminated, but, terminations are recommended unless power dissipation is an overriding concern.

In point-to-point, or point-to-multipoint (single driver on bus) networks, the main cable should be terminated in its characteristic impedance (typically 120 Ω) at the end farthest from the driver. In multi-receiver applications, stubs connecting receivers to the main cable should be kept as short as possible. Multipoint (multi-driver) systems require that the main cable be terminated in its characteristic impedance at both ends. Stubs connecting a transceiver to the main cable should be kept as short as possible.

Built-In Driver Overload Protection

As stated previously, the RS-485 spec requires that drivers survive worst case bus contentions undamaged. These devices meet this requirement via driver output short circuit current limits, and on-chip thermal shutdown circuitry.

The driver output stages incorporate short circuit current limiting circuitry which ensures that the output current never exceeds the RS-485 spec, even at the common mode voltage range extremes. Additionally, these devices utilize a foldback circuit which reduces the short circuit current, and thus the power dissipation, whenever the contending voltage exceeds either supply.

In the event of a major short circuit condition, these devices also include a thermal shutdown feature that disables the drivers whenever the die temperature becomes excessive. This eliminates the power dissipation, allowing the die to cool. The drivers automatically re-enable after the die temperature drops about 15 degrees. If the contention persists, the thermal shutdown/re-enable cycle repeats until the fault is cleared. Receivers stay operational during thermal shutdown.

Low Power Shutdown Mode (Excluding ISL81487E)

These CMOS transceivers all use a fraction of the power required by their bipolar counterparts, but the ISL8487E and ISL81487L include a shutdown feature that reduces the already low quiescent I_{CC} to a 500nA trickle. They enter shutdown whenever the receiver and driver are **simultaneously** disabled ($\overline{RE} = V_{CC}$ and $DE = GND$) for a period of at least 600ns. Disabling both the driver and the receiver for less than 50ns guarantees that shutdown is not entered.

Note that receiver and driver enable times increase when enabling from shutdown. Refer to Notes 5-9, at the end of the Electrical Specification table, for more information.

ESD Protection

All pins on these interface devices include class 3 Human Body Model (HBM) ESD protection structures, but the RS-485 pins (driver outputs and receiver inputs) incorporate advanced structures allowing them to survive ESD events in excess of $\pm 15kV$ HBM. The RS-485 pins are particularly vulnerable to ESD damage because they typically connect to an exposed port on the exterior of the finished product. Simply touching the port pins, or connecting a cable, can cause an ESD event that might destroy unprotected ICs. These new ESD structures protect the device whether or not it is powered up, protect without allowing any latchup mechanism to activate, and without degrading the RS-485 common mode range of -7V to +12V. This built-in ESD protection eliminates the need for board level protection structures (e.g., transient suppression diodes), and the associated, undesirable capacitive load they present.

Human Body Model Testing

As the name implies, this test method emulates the ESD event delivered to an IC during human handling. The tester delivers the charge stored on a 100pF capacitor through a 1.5kΩ current limiting resistor into the pin under test. The

HBM method determines an IC's ability to withstand the ESD events typically present during handling and manufacturing.

The RS-485 pin survivability on this high ESD family has been characterized to be in excess of ±15kV, for discharges to GND.

Typical Performance Curves $V_{CC} = 5V$, $T_A = 25^\circ C$, ISL8487E, ISL81487L and ISL81487E;
Unless Otherwise Specified

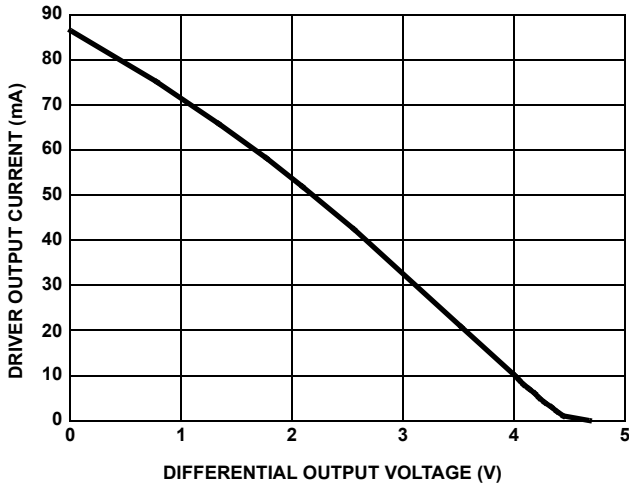


FIGURE 6. DRIVER OUTPUT CURRENT vs DIFFERENTIAL OUTPUT VOLTAGE

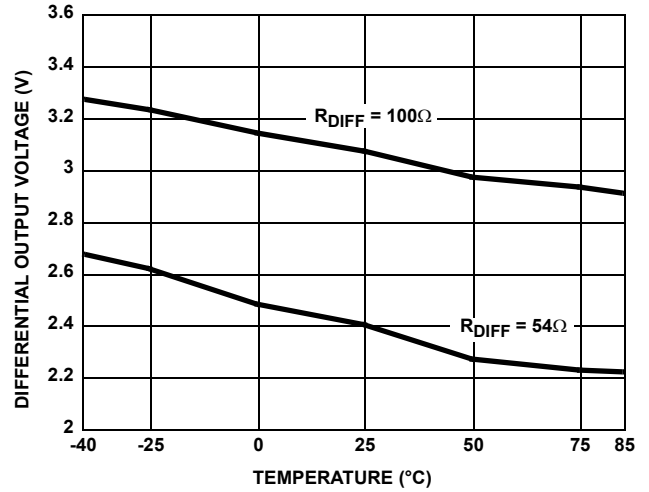


FIGURE 7. DRIVER DIFFERENTIAL OUTPUT VOLTAGE vs TEMPERATURE

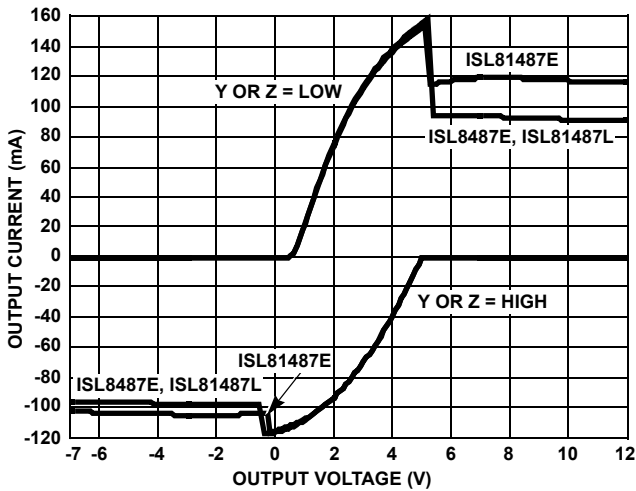


FIGURE 8. DRIVER OUTPUT CURRENT vs SHORT CIRCUIT VOLTAGE

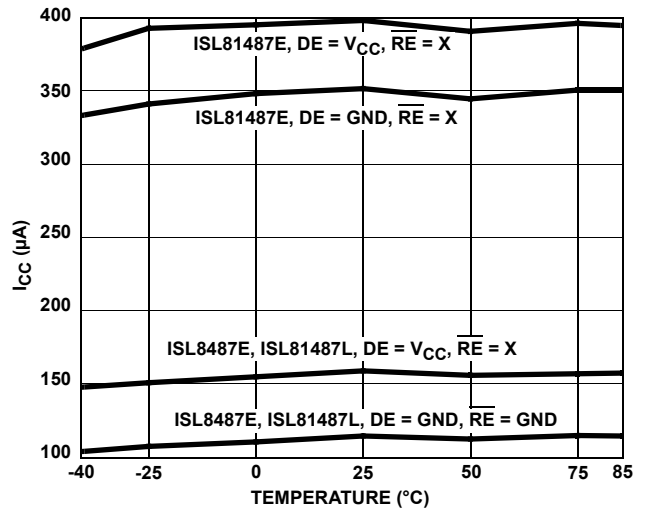


FIGURE 9. SUPPLY CURRENT vs TEMPERATURE

Typical Performance Curves $V_{CC} = 5V, T_A = 25^\circ C, ISL8487E, ISL81487L \text{ and } ISL81487E;$
 Unless Otherwise Specified (Continued)

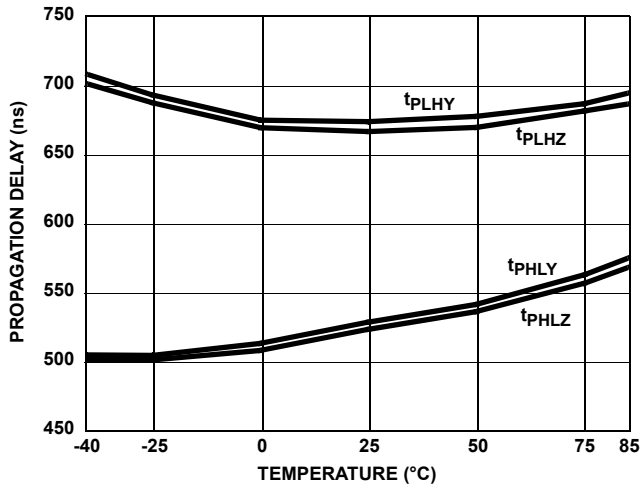


FIGURE 10. DRIVER PROPAGATION DELAY vs TEMPERATURE (ISL8487E, ISL81487L)

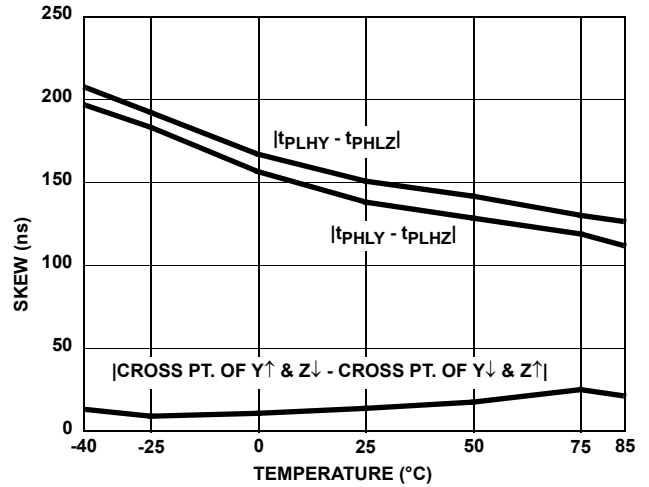


FIGURE 11. DRIVER SKEW vs TEMPERATURE (ISL8487E, ISL81487L)

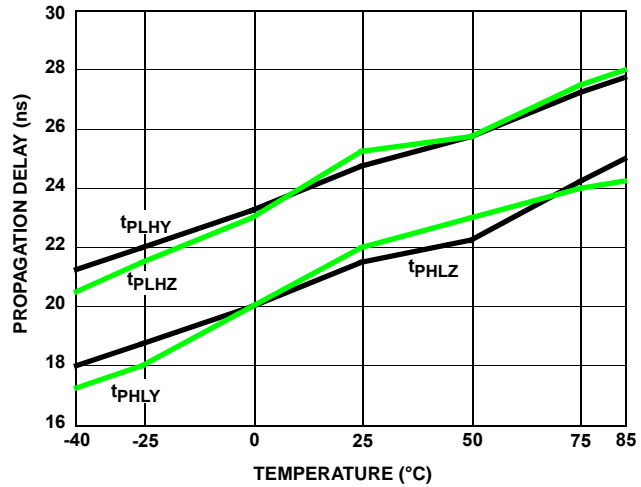


FIGURE 12. DRIVER PROPAGATION DELAY vs TEMPERATURE (ISL81487E)

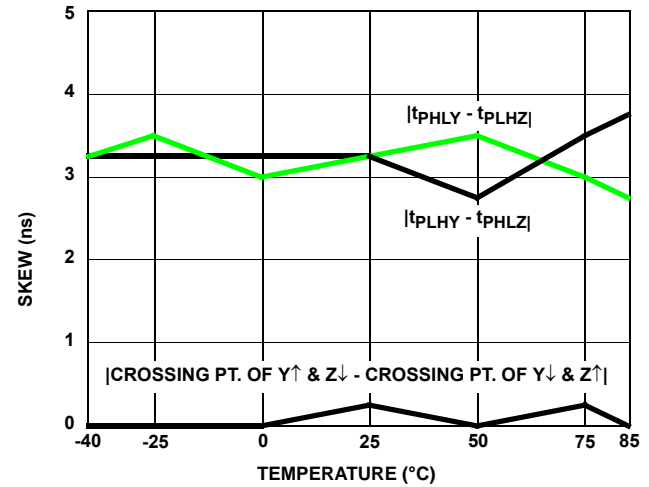


FIGURE 13. DRIVER SKEW vs TEMPERATURE (ISL81487E)

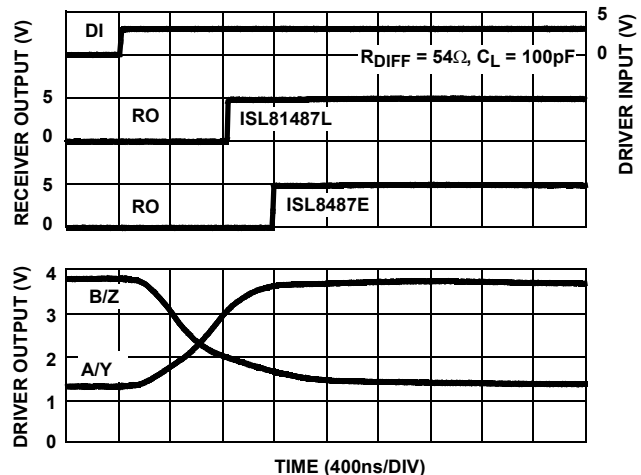


FIGURE 14. DRIVER AND RECEIVER WAVEFORMS, LOW TO HIGH (ISL8487E, ISL81487L)

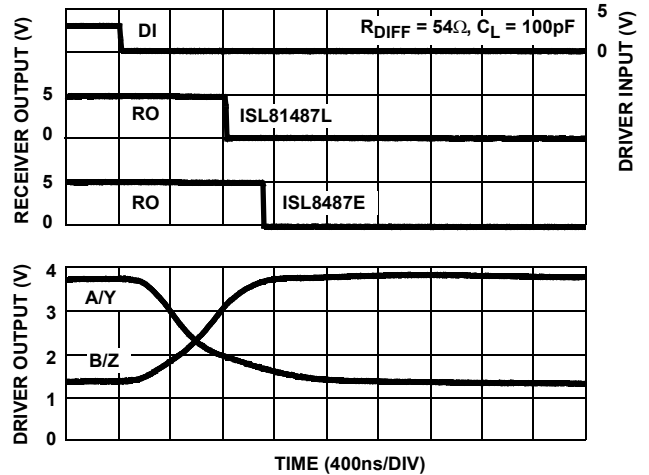


FIGURE 15. DRIVER AND RECEIVER WAVEFORMS, HIGH TO LOW (ISL8487E, ISL81487L)

Typical Performance Curves $V_{CC} = 5V$, $T_A = 25^\circ C$, ISL8487E, ISL81487L and ISL81487E;
Unless Otherwise Specified (Continued)

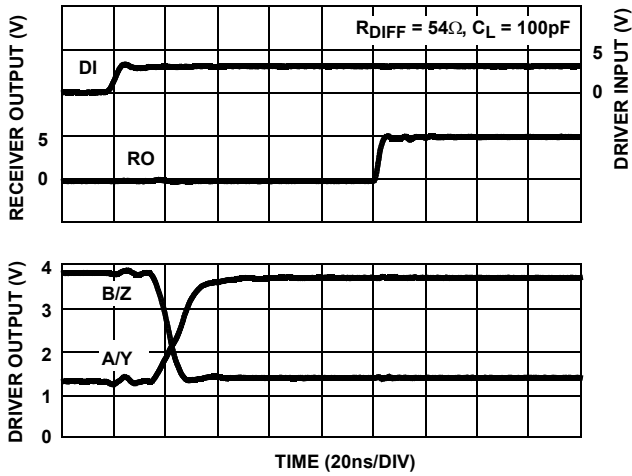


FIGURE 16. DRIVER AND RECEIVER WAVEFORMS, LOW TO HIGH (ISL81487E)

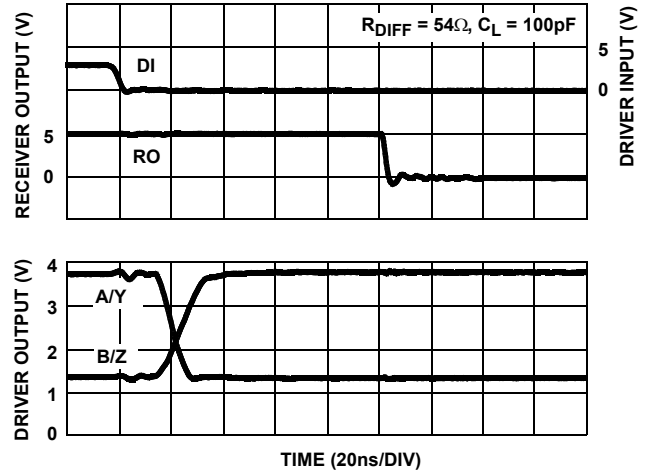


FIGURE 17. DRIVER AND RECEIVER WAVEFORMS, HIGH TO LOW (ISL81487E)

Die Characteristics

SUBSTRATE POTENTIAL (POWERED UP):

GND

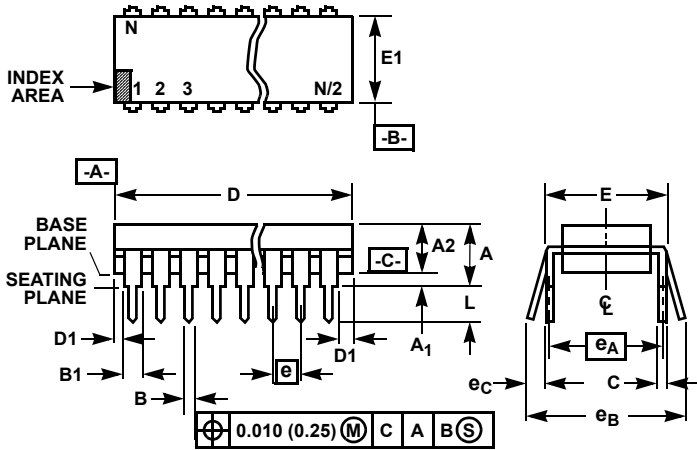
TRANSISTOR COUNT:

518

PROCESS:

Si Gate CMOS

Dual-In-Line Plastic Packages (PDIP)



NOTES:

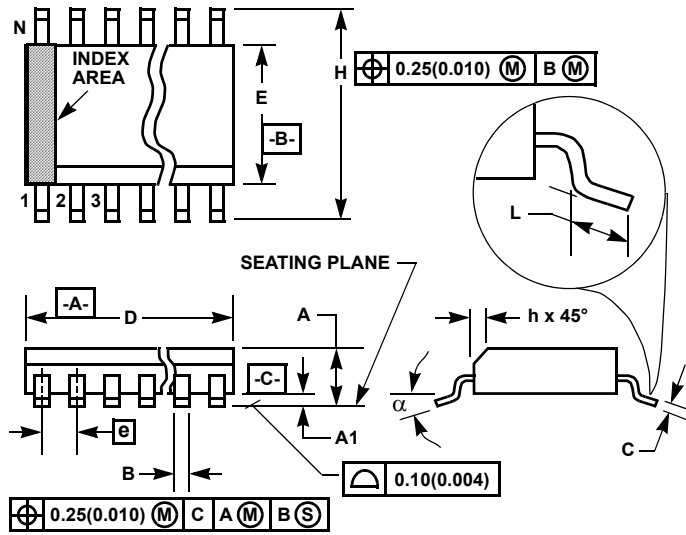
- Controlling Dimensions: INCH. In case of conflict between English and Metric dimensions, the inch dimensions control.
- Dimensioning and tolerancing per ANSI Y14.5M-1982.
- Symbols are defined in the "MO Series Symbol List" in Section 2.2 of Publication No. 95.
- Dimensions A, A1 and L are measured with the package seated in JEDEC seating plane gauge GS-3.
- D, D1, and E1 dimensions do not include mold flash or protrusions. Mold flash or protrusions shall not exceed 0.010 inch (0.25mm).
- E and e_A are measured with the leads constrained to be perpendicular to datum -C-.
- e_B and e_C are measured at the lead tips with the leads unconstrained. e_C must be zero or greater.
- B1 maximum dimensions do not include dambar protrusions. Dambar protrusions shall not exceed 0.010 inch (0.25mm).
- N is the maximum number of terminal positions.
- Corner leads (1, N, N/2 and N/2 + 1) for E8.3, E16.3, E18.3, E28.3, E42.6 will have a B1 dimension of 0.030 - 0.045 inch (0.76 - 1.14mm).

E8.3 (JEDEC MS-001-BA ISSUE D)
8 LEAD DUAL-IN-LINE PLASTIC PACKAGE

| SYMBOL | INCHES | | MILLIMETERS | | NOTES |
|----------------|-----------|-------|-------------|-------|-------|
| | MIN | MAX | MIN | MAX | |
| A | - | 0.210 | - | 5.33 | 4 |
| A1 | 0.015 | - | 0.39 | - | 4 |
| A2 | 0.115 | 0.195 | 2.93 | 4.95 | - |
| B | 0.014 | 0.022 | 0.356 | 0.558 | - |
| B1 | 0.045 | 0.070 | 1.15 | 1.77 | 8, 10 |
| C | 0.008 | 0.014 | 0.204 | 0.355 | - |
| D | 0.355 | 0.400 | 9.01 | 10.16 | 5 |
| D1 | 0.005 | - | 0.13 | - | 5 |
| E | 0.300 | 0.325 | 7.62 | 8.25 | 6 |
| E1 | 0.240 | 0.280 | 6.10 | 7.11 | 5 |
| e | 0.100 BSC | | 2.54 BSC | | - |
| e _A | 0.300 BSC | | 7.62 BSC | | 6 |
| e _B | - | 0.430 | - | 10.92 | 7 |
| L | 0.115 | 0.150 | 2.93 | 3.81 | 4 |
| N | 8 | | 8 | | 9 |

Rev. 0 12/93

Small Outline Plastic Packages (SOIC)



**M8.15 (JEDEC MS-012-AA ISSUE C)
8 LEAD NARROW BODY SMALL OUTLINE PLASTIC PACKAGE**

| SYMBOL | INCHES | | MILLIMETERS | | NOTES |
|----------|-----------|--------|-------------|------|-------|
| | MIN | MAX | MIN | MAX | |
| A | 0.0532 | 0.0688 | 1.35 | 1.75 | - |
| A1 | 0.0040 | 0.0098 | 0.10 | 0.25 | - |
| B | 0.013 | 0.020 | 0.33 | 0.51 | 9 |
| C | 0.0075 | 0.0098 | 0.19 | 0.25 | - |
| D | 0.1890 | 0.1968 | 4.80 | 5.00 | 3 |
| E | 0.1497 | 0.1574 | 3.80 | 4.00 | 4 |
| e | 0.050 BSC | | 1.27 BSC | | - |
| H | 0.2284 | 0.2440 | 5.80 | 6.20 | - |
| h | 0.0099 | 0.0196 | 0.25 | 0.50 | 5 |
| L | 0.016 | 0.050 | 0.40 | 1.27 | 6 |
| N | 8 | | 8 | | 7 |
| α | 0° | 8° | 0° | 8° | - |

Rev. 1 6/05

NOTES:

1. Symbols are defined in the "MO Series Symbol List" in Section 2.2 of Publication Number 95.
2. Dimensioning and tolerancing per ANSI Y14.5M-1982.
3. Dimension "D" does not include mold flash, protrusions or gate burrs. Mold flash, protrusion and gate burrs shall not exceed 0.15mm (0.006 inch) per side.
4. Dimension "E" does not include interlead flash or protrusions. Interlead flash and protrusions shall not exceed 0.25mm (0.010 inch) per side.
5. The chamfer on the body is optional. If it is not present, a visual index feature must be located within the crosshatched area.
6. "L" is the length of terminal for soldering to a substrate.
7. "N" is the number of terminal positions.
8. Terminal numbers are shown for reference only.
9. The lead width "B", as measured 0.36mm (0.014 inch) or greater above the seating plane, shall not exceed a maximum value of 0.61mm (0.024 inch).
10. Controlling dimension: MILLIMETER. Converted inch dimensions are not necessarily exact.

All Intersil U.S. products are manufactured, assembled and tested utilizing ISO9000 quality systems. Intersil Corporation's quality certifications can be viewed at www.intersil.com/design/quality

Intersil products are sold by description only. Intersil Corporation reserves the right to make changes in circuit design, software and/or specifications at any time without notice. Accordingly, the reader is cautioned to verify that data sheets are current before placing orders. Information furnished by Intersil is believed to be accurate and reliable. However, no responsibility is assumed by Intersil or its subsidiaries for its use; nor for any infringements of patents or other rights of third parties which may result from its use. No license is granted by implication or otherwise under any patent or patent rights of Intersil or its subsidiaries.

For information regarding Intersil Corporation and its products, see www.intersil.com

Mouser Electronics

Authorized Distributor

Click to View Pricing, Inventory, Delivery & Lifecycle Information:

[Intersil:](#)

[ISL8487EIPZ](#) [ISL81487EIBZ](#) [ISL81487EIBZ-T](#) [ISL81487EIPZ](#) [ISL81487LIBZ](#) [ISL81487LIBZ-T](#) [ISL81487LIPZ](#)
[ISL8487EIBZ](#) [ISL8487EIBZ-T](#)