



**3.3V 2.5Gbps
ANY INPUT-to-LVPECL
DIFFERENTIAL TRANSLATOR**

**Precision Edge®
SY89327L**

FEATURES

- Input accepts virtually all logic standards:
 - Single-ended: SSTL, TTL, CMOS
 - Differential: LVDS, HSTL, CML
- Guaranteed AC performance over temp and voltage:
 - DC-to >2.5Gbps data rate throughput
 - DC-to >2.5GHz clock f_{MAX}
 - < 400ps In-to-Out t_{pd}
 - < 200ps t_r/t_f
- Ultra-low jitter design:
 - 75fs RMS phase jitter
- Low power: 46mW (typ)
- 100k LVPECL output
- Flow-through pinout and fully differential design
- Power supply 3.3V $\pm 10\%$
- -40°C to $+85^{\circ}\text{C}$ temperature range
- Available in ultra-small 8-lead 2mm x 2mm QFN package



Precision Edge®

DESCRIPTION

The SY89327L is a fully differential, high-speed translator optimized to accept any logic standard from single-ended TTL/CMOS to differential LVDS, HSTL, or CML and translate it to LVPECL. Translation is guaranteed for speeds up to 2.5Gbps (2.5GHz toggle frequency). The SY89327L does not internally terminate its inputs because different interfacing standards have different termination requirements.

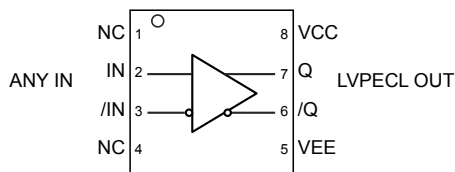
The SY89327L is a member of Micrel's Precision Edge® family of high-speed logic devices. This family features ultra-small packaging, as well as high signal integrity and operation at many different supply voltages.

All support documentation can be found on Micrel's web site at www.micrel.com.

APPLICATIONS

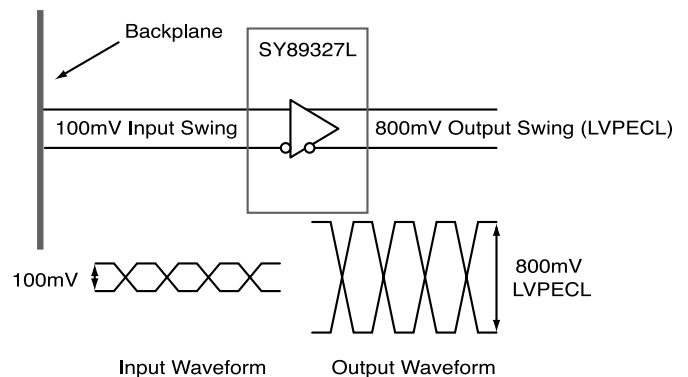
- High-speed logic
- Data communications systems
- Wireless communications systems
- Telecom systems

FUNCTIONAL BLOCK DIAGRAM



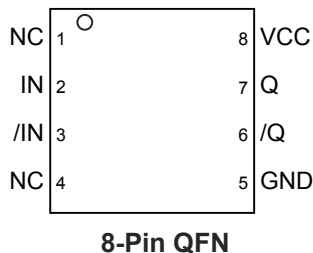
8-Pin QFN (2mm x 2mm)

TYPICAL APPLICATIONS CIRCUIT



PACKAGE/ORDERING INFORMATION

Ordering Information



Part Number	Package Type	Operating Range	Package Marking	Lead Finish
SY89327LMGTR	QFN-8	Industrial	327 with Pb-Free bar-line indicator	Pb-Free NiPdAu

PIN DESCRIPTION

Pin Number	Pin Name	Pin Function
2, 3	IN, /IN	Differential inputs: This input is the differential signal input to the device. This input accepts AC- or DC-coupled signals as small as 100mV. External termination is required. Please refer to the “Input Interface Applications” section for more details.
8	VCC	Positive power supply. Bypass with 0.1µF 0.01µF low ESR capacitors.
7, 6	Q, /Q	Differential LVPECL Output: Terminate with 50Ω to V _{CC} -2V. See “Output Interface Applications” section. Output pair is 100k temperature compensated LVPECL compatible.
5	GND, Exposed Pad	Ground: Ground pin and exposed pad must be connected to the same ground plane.
1, 4	NC	No connect.

FUNCTIONAL DESCRIPTION

Establishing Static Logic Inputs

Do not leave unused inputs floating. Tie either the true or complement input to ground. A logic zero is achieved by connecting the complement input to ground with the true input floating. For a TTL input, tie a 2.5kΩ resistor between the complement input and ground. See “Input Interface” section.

Input Levels

LVDS, CML, and HSTL differential signals may be connected directly to the D inputs. Depending on the actual worst case voltage seen, the SY8327L's performance varies as per the following table:

Input Voltage Range	Minimum Voltage Swing	Maximum Translation Speed
0 to 2.4V	100mV	2.5Gbps
0 to V _{CC} +0.3V	200mV	1.25Gbps

For LVDS applications, only point-to-point interfaces are supported. Due to the current required by the input structure shown in Figure 1, multi-drop and multi-point architectures are not supported.

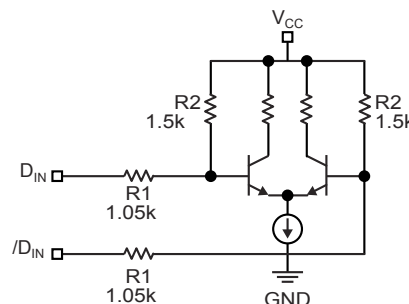


Figure 1. Simplified Input Structure

Absolute Maximum Ratings⁽¹⁾

Supply Voltage (V_{CC}) -0.5V to + 4.0V
 Input Voltage (V_{IN}) -0.5V to V_{CC}
 Input Current
 Source or sink current on IN, /IN ±50mA
 Lead Temperature (soldering, 20 sec.) +260°C
 Storage Temperature (T_S) -65°C to +150°C

Operating Ratings⁽²⁾

Supply Voltage (V_{CC}) 3.0V to 3.6V
 Ambient Temperature (T_A) -40°C to +85°C
 Package Thermal Resistance⁽³⁾
 QFN (Θ_{JA})
 Still-Air 93°C/W
 500lfpm 87°C/W
 QFN (Ψ_{JB})
 Junction-to-Board 32°C/W

DC ELECTRICAL CHARACTERISTICS⁽⁴⁾

$T_A = -40^\circ\text{C}$ to $+85^\circ\text{C}$; unless stated.

Symbol	Parameter	Condition	Min	Typ	Max	Units
V_{CC}	Power Supply		3.0	3.3	3.6	V
I_{CC}	Power Supply Current	No load, max. V_{CC} ⁽⁵⁾		28	45	mA

INPUT ELECTRICAL CHARACTERISTICS⁽⁴⁾

$V_{CC} = 3.3\text{V} \pm 10\%$; $T_A = -40^\circ\text{C}$ to $+85^\circ\text{C}$; $R_L = 50\Omega$ to $V_{CC}-2\text{V}$, or equivalent, unless otherwise stated.

Symbol	Parameter	Condition	Min	Typ	Max	Units
V_{IH}	Input HIGH Voltage	V_{IH} min must be $\geq 1.2\text{V}$			$V_{CC}+0.3$	V
V_{IL}	Input LOW Voltage		-0.3			V
V_{IN}	Input Voltage Swing	See Figure 2a, $V_{IH} < 2.4\text{V}$	100			mV
		See Figure 2a, $V_{IH} < V_{CC} + 0.3\text{V}$	200			mV

LVPECL OUTPUT DC ELECTRICAL CHARACTERISTICS⁽⁴⁾

$V_{CC} = 3.3\text{V} \pm 10\%$; $T_A = -40^\circ\text{C}$ to $+85^\circ\text{C}$; $R_L = 50\Omega$ to $V_{CC}-2\text{V}$, or equivalent, unless otherwise stated.

Symbol	Parameter	Condition	Min	Typ	Max	Units
V_{OL}	Output HIGH Voltage Q, /Q		$V_{CC}-1.945$		$V_{CC}-1.695$	V
V_{OH}	Output Common Mode Range Q, /Q		$V_{CC}-1.145$		$V_{CC}-0.895$	V
V_{OUT}	Output Voltage Swing Q, /Q	See Figure 2a	550	800		mV
$V_{DIFF-OUT}$	Differential Output Voltage Swing Q, /Q	See Figure 2b	1100	1600		mV _{PP}

Notes:

1. Permanent device damage may occur if the "Absolute Maximum Ratings" are exceeded. This is a stress rating only and functional operation is not implied at conditions other than those detailed in the operational sections of this data sheet. Exposure to the absolute maximum ratings conditions for extended periods may affect device reliability.
2. The data sheet limits are not guaranteed if the device is operated beyond the operating ratings.
3. Package Thermal Resistance assumes exposed pad is soldered (or equivalent) to the devices' most negative potential on the PCB. Ψ_{JB} uses 4-layer Θ_{JA} in still-air unless otherwise stated.
4. The circuit is designed to meet the DC specifications shown in the above table after thermal equilibrium has been established.

AC ELECTRICAL CHARACTERISTICS (5)

$V_{CC} = 3.3V \pm 10\%$; $T_A = -40^\circ C$ to $+85^\circ C$; $R_L = 50\Omega$ to $V_{CC} - 2V$, or equivalent, unless otherwise stated.

Symbol	Parameter	Condition	Min	Typ	Max	Units
f_{MAX}	Maximum Operating Frequency	NRZ Data	2.5			Gbps
		$V_{OUT} \geq 200mV$ Clock		2.5		GHz
t_{pd}	Propagation Delay IN-to-Q, /IN-to-/Q	$V_{IN} \geq 100mV$			400	ps
t_{JITTER}	RMS Phase Jitter	Output = 622MHz Integration Range: 12kHz - 20MHz		75		fs
t_r, t_f	Rise / Fall Time (20% to 80%) Q, /Q	At full output swing			200	ps

Notes:

5. See "Timing Diagrams" section for definition of parameters. High frequency AC-parameters are guaranteed by design and characterization.

SINGLE-ENDED AND DIFFERENTIAL SWINGS

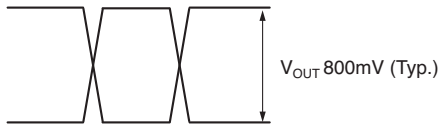


Figure 2a. Single-Ended Voltage Swing

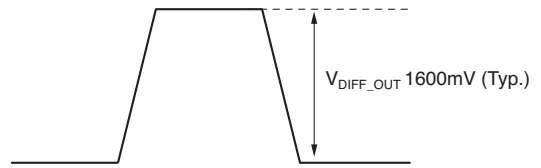


Figure 2b. Differential Voltage Swing

TIMING DIAGRAM

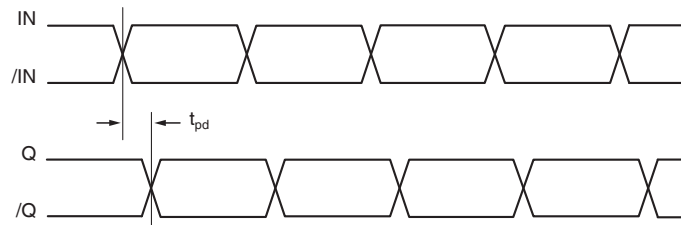


Figure 3. Timing Diagram

INPUT INTERFACE APPLICATIONS

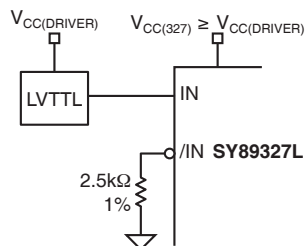


Figure 4. 3.3V "TTL"

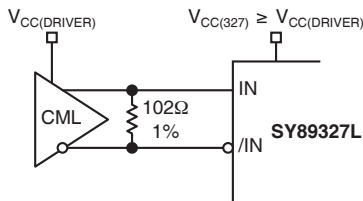


Figure 5. CML-DC Coupled

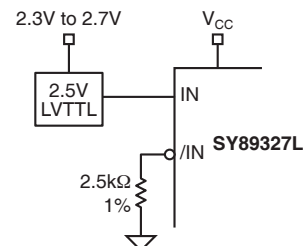


Figure 6. 2.5V "TTL"

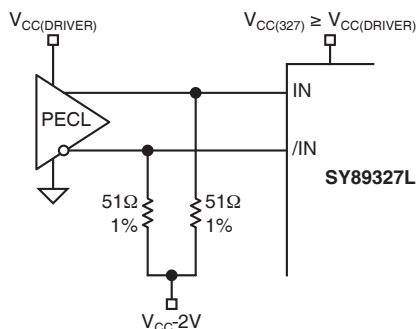


Figure 7. PECL-DC Coupled

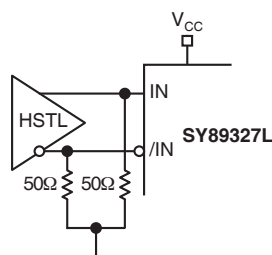


Figure 8. HSTL

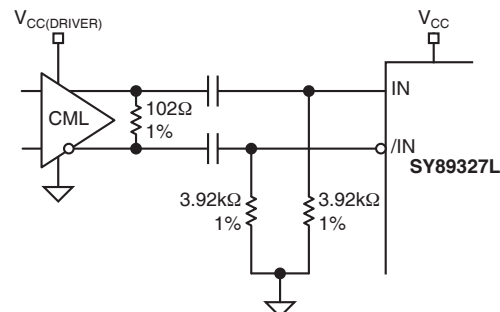


Figure 9. CML-AC Coupled Short Lines

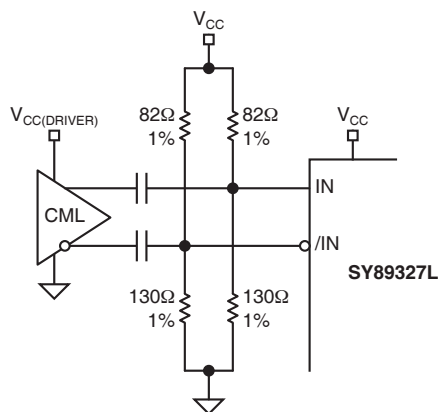


Figure 10. CML-AC Coupled Long Lines

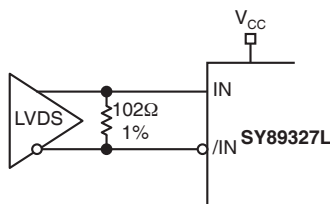


Figure 11. LVDS

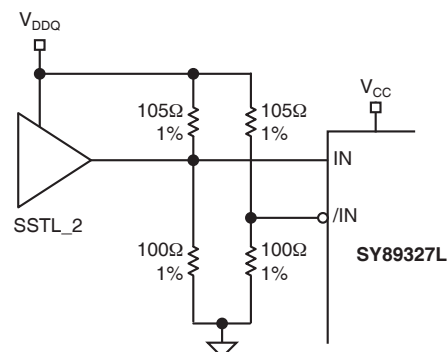


Figure 12. SSTL_2

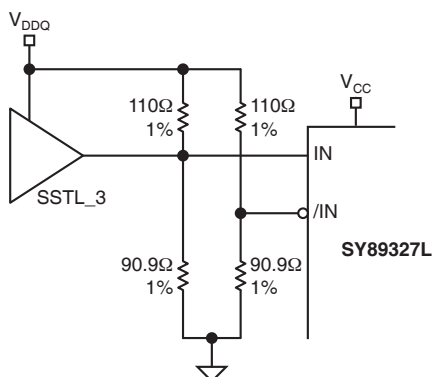
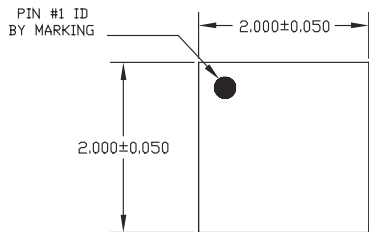


Figure 13. SSTL_3

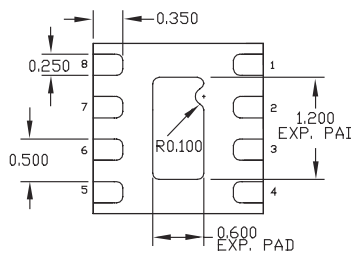
RELATED PRODUCT AND SUPPORT DOCUMENTATION

Part Number	Function	Datasheet Link
SY55857L	3.3V, 2.5Gbps Any Input-to-LVPECL Dual Translator	www.micrel.com/product-info/products/sy55857l.shtml
HBW Solutions	New Products and Applications	www.micrel.com/product-info/products/solutions.shtml

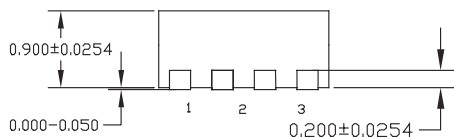
8-PIN QFN (QFN-8)



TOP VIEW



BOTTOM VIEW



SIDE VIEW

- NOTE:
1. ALL DIMENSIONS ARE IN MILLIMETERS.
 2. MAX. PACKAGE WARPAGE IS 0.05 mm.
 3. MAXIMUM ALLOWABLE BURRS IS 0.076 mm IN ALL DIRECTIONS.
 4. PIN #1 ID ON TOP WILL BE LASER/INK MARKED.

Package Notes:

1. Package meets Level 2 qualification.
2. All parts are dry-packaged before shipment.
3. Exposed pads must be soldered to a ground for proper thermal management.

MICREL, INC. 2180 FORTUNE DRIVE SAN JOSE, CA 95131 USA

TEL + 1 (408) 944-0800 FAX + 1 (408) 474-1000 WEB <http://www.micrel.com>

The information furnished by Micrel in this data sheet is believed to be accurate and reliable. However, no responsibility is assumed by Micrel for its use. Micrel reserves the right to change circuitry and specifications at any time without notification to the customer.

Micrel Products are not designed or authorized for use as components in life support appliances, devices or systems where malfunction of a product can reasonably be expected to result in personal injury. Life support devices or systems are devices or systems that (a) are intended for surgical implant into the body or (b) support or sustain life, and whose failure to perform can be reasonably expected to result in a significant injury to the user. A Purchaser's use or sale of Micrel Products for use in life support appliances, devices or systems is at Purchaser's own risk and Purchaser agrees to fully indemnify Micrel for any damages resulting from such use or sale.

© 2005 Micrel, Incorporated.

Mouser Electronics

Authorized Distributor

Click to View Pricing, Inventory, Delivery & Lifecycle Information:

[Micrel:](#)

[SY89327LMG TR](#)